



# MASTER LED spot ExpertColor LV



## MASTER LED ExpertColor 6.7-35W MR16 930 60D

MASTER, LED, MR16, 35 W, GU5.3, 3000 K, 440 lm, CRI 97, 40000 h

MASTER LEDspot LV ExpertColor creates a warm and comfortable ambience for hospitality venues, homes and restaurants. It creates such an ambience with superior lighting that has a customised spectrum, high CRI and deep dimming feature. The result? A beautiful lighting experience. What's more, the innovative, trimless lens design will suit almost any interior decor with its clean and neat look. In addition, you can take advantage of the full ExpertColor family, which also includes LEDspot MV lamps.

### Product data

General Information		Operating and Electrical	
Cap base	GU5.3	Correlated Colour Temperature (Nom)	3000 K
Nominal lifetime	40,000 h	Luminous efficacy (rated) (nom.)	65.00 lm/W
Switching Cycle	50,000	Colour consistency	<3
Lighting Technology	LED	Colour rendering index (CRI)	97
Flux measurement reference	Narrow Cone	LLMF at end of nominal lifetime (nom.)	70 %
Warranty period	5 years	Luminous flux in 90° cone (rated)	440 lm
		Photobiological safety according to EN 62471	RG1
Light Technical			
Colour Code	930 [CCT of 3000K]	Line Frequency	- Hz
Beam angle (nom.)	60 degree(s)	Input frequency	- Hz
Luminous Flux	440 lm	Power Consumption	6.7 W
Luminous intensity (nom.)	440 cd	Lamp current (nom.)	650 mA
Colour designation	White (WH)	Wattage equivalent	35 W

# MASTER LED spot ExpertColor LV

Starting time (nom.)	0.5 s
Warm-up time to 60% light	0.5 s
Power Factor (Fraction)	0.7
Voltage (nom.)	ac electronic 12 V

## Temperature

T-Case maximum (nom.)	92 °C
-----------------------	-------

## Controls and Dimming

Dimmable	Only with specific dimmers
----------	----------------------------

## Mechanical and Housing

Bulb shape	MR16
Net Weight (Piece)	0.052 kg

## Approval and Application

Energy Efficiency Class	G
Suitable for accent lighting	Yes
Energy consumption kWh/1,000 hours	7 kWh
EPREL Registration Number	624216
CE mark	Yes

EU RoHS compliant	Yes
EyeComfort	Yes

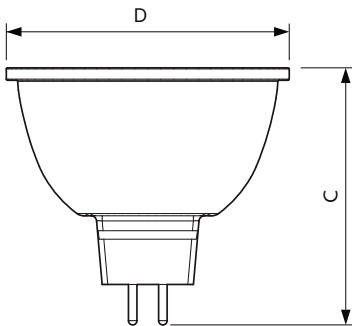
## Application Conditions

Can it be used in closed luminaires	No
-------------------------------------	----

## Product Data

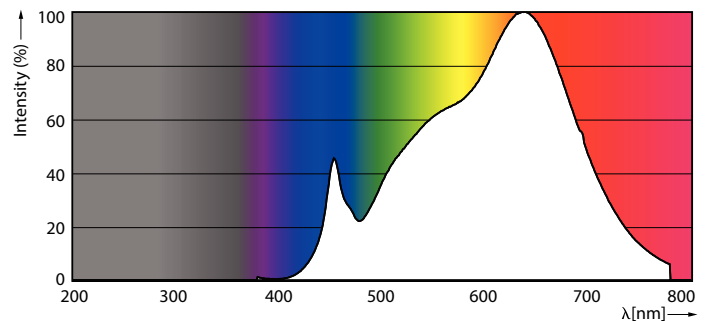
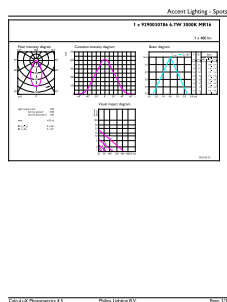
Order product name	MAS LED ExpertColor 6.7-35W MR16 930 60D
Full product name	MASTER LED ExpertColor 6.7-35W MR16 930 60D
Full EOC	871951435843000
Order code	35843000
Material no. (12 NC)	929003078602
Numerator – quantity per pack	1
EAN/UPC – Product/Case	8719514358430
Numerator – packs per outer box	10
EAN/UPC - Case	8719514358447

## Dimensional drawing



Product	D	C
MAS LED ExpertColor 6.7-35W MR16 930 60D	50.5 mm	46 mm

## Photometric data

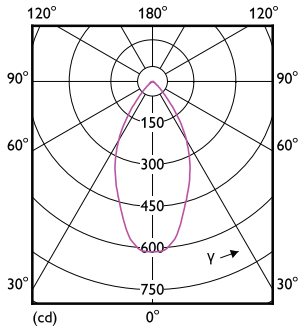


Accent Lighting Spots – MAS LED ExpertColor 6.7-35W MR16 930 60D

Spectral Power Distribution Colour – MAS LED ExpertColor 6.7-35W MR16 930 60D

# MASTER LED spot ExpertColor LV

## Photometric data

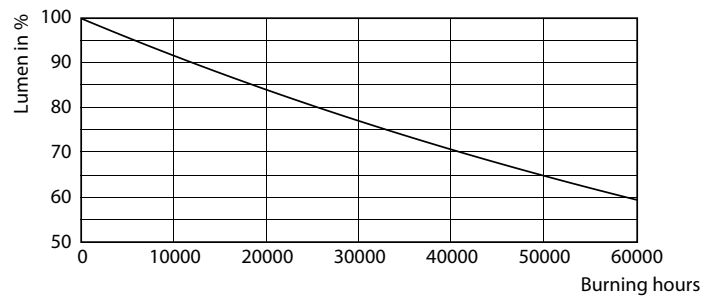


Light Distribution Diagram - MAS LED ExpertColor 6.7-35W MR16 930 60D

## Lifetime



Life Expectancy Diagram



Lumen Maintenance Diagram - MAS LED ExpertColor 6.7-35W MR16 930 60D

