



MASTER LED spot ExpertColor LV



MAS LED ExpertColor 6.7-35W MR16 930 10D

MASTER, LEDspot, MR16, 35 W, GU5.3, 3000 K, 430 lm, CRI 97, 40000 h, Plastic

MASTER LEDspot LV ExpertColor creates a warm and comfortable ambience for hospitality venues, homes and restaurants. It creates such an ambience with superior lighting that has a customised spectrum, high CRI and deep dimming feature. The result? A beautiful lighting experience. What's more, the innovative, trimless lens design will suit almost any interior decor with its clean and neat look. In addition, you can take advantage of the full ExpertColor family, which also includes LEDspot MV lamps.

Product data

General Information	
Cap base	GU5.3
Nominal lifetime	40,000 h
Switching Cycle	50,000
Lighting Technology	LEDspot
Flux measurement reference	Narrow Cone
Warranty period	5 years
Light Technical	
Colour Code	930 [CCT of 3000K]
Beam angle (nom.)	10 degree(s)
Luminous Flux	430 lm
Luminous intensity (nom.)	4,800 cd
Colour designation	White (WH)

Correlated Colour Temperature (Nom)	3000 K
Luminous efficacy (rated) (nom.)	64.00 lm/W
Colour consistency	<3
Colour rendering index (CRI)	97
LLMF at end of nominal lifetime (nom.)	70 %
Luminous flux in 90° cone (rated)	430 lm
Photobiological safety according to EN 62471	RG1
Operating and Electrical	
Line Frequency	- Hz
Input frequency	- Hz
Power Consumption	6.7 W
Lamp current (nom.)	650 mA
Wattage equivalent	35 W

MASTER LED spot ExpertColor LV

Starting time (nom.)	0.5 s
Warm-up time to 60% light	0.5 s
Power Factor (Fraction)	0.7
Voltage (nom.)	ac electronic 12 V

Temperature

T-Case maximum (nom.)	92 °C
-----------------------	-------

Controls and Dimming

Dimmable	Only with specific dimmers
----------	----------------------------

Mechanical and Housing

Lamp Finish	Clear
Bulb material	Plastic
Bulb shape	MR16
Net Weight (Piece)	0.052 kg

Approval and Application

Energy Efficiency Class	G
Suitable for accent lighting	Yes
Energy consumption kWh/1,000 hours	7 kWh
EPREL Registration Number	624209
CE mark	Yes

EU RoHS compliant	Yes
EyeComfort	Yes
Ambient temperature range	-20 to +45 °C

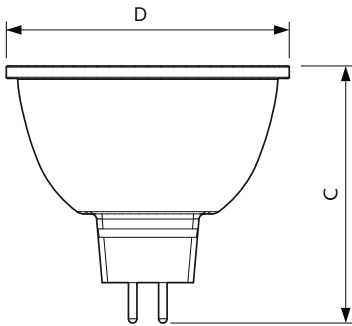
Application Conditions

Can it be used in closed luminaires	No
Wireless Technology	Not applicable

Product Data

Order product name	MAS LED ExpertColor 6.7-35W MR16 930 10D
Full product name	MAS LED ExpertColor 6.7-35W MR16 930 10D
Full EOC	871951435849200
Order code	929003078902
Material no. (12 NC)	929003078902
Numerator – quantity per pack	1
EAN/UPC – Product/Case	8719514358492
Numerator – packs per outer box	10
EAN/UPC - Case	8719514358508

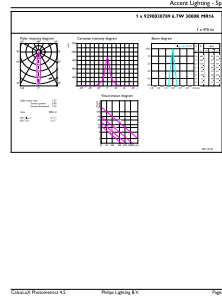
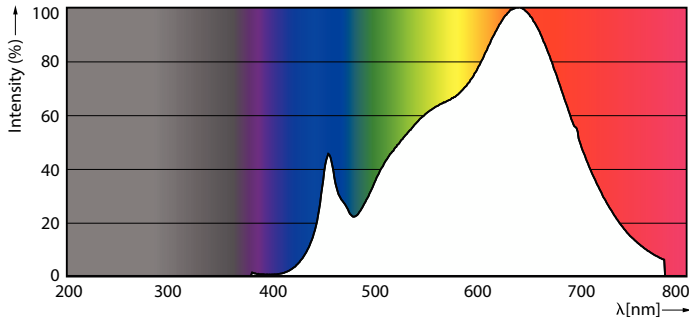
Dimensional drawing



Product	D	C
MAS LED ExpertColor 6.7-35W MR16 930 10D	50.5 mm	46 mm

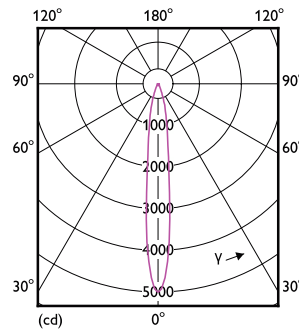
MASTER LED spot ExpertColor LV

Photometric data



Spectral Power Distribution Colour - MAS LED ExpertColor 6.7-35W MR16 930 10D

Accent Lighting Spots - MAS LED ExpertColor 6.7-35W MR16 930 10D



Light Distribution Diagram - MAS LED ExpertColor 6.7-35W MR16 930 10D

Lifetime



Life Expectancy Diagram



Lumen Maintenance Diagram - MAS LED ExpertColor 6.7-35W MR16 930 10D

MASTER LED spot ExpertColor LV

