



MASTER LED spot ExpertColor LV



MAS LED ExpertColor 6.7-35W MR16 940 24D

MASTER, LEDspot, MR16, 35 W, GU5.3, 4000 K, 460 lm, CRI 97, 40000 h, Plastic

MASTER LEDspot LV ExpertColor creates a warm and comfortable ambience for hospitality venues, homes and restaurants. It creates such an ambience with superior lighting that has a customised spectrum, high CRI and deep dimming feature. The result? A beautiful lighting experience. What's more, the innovative, trimless lens design will suit almost any interior decor with its clean and neat look. In addition, you can take advantage of the full ExpertColor family, which also includes LEDspot MV lamps.

Product data

General Information		Operating and Electrical	
Cap base	GU5.3	Correlated Colour Temperature (Nom)	4000 K
Nominal lifetime	40,000 h	Luminous efficacy (rated) (nom.)	68.00 lm/W
Switching Cycle	50,000	Colour consistency	<3
Lighting Technology	LEDspot	Colour rendering index (CRI)	97
Flux measurement reference	Narrow Cone	LLMF at end of nominal lifetime (nom.)	70 %
Warranty period	5 years	Luminous flux in 90° cone (rated)	460 lm
		Photobiological safety according to EN 62471	RG1
Light Technical			
Colour Code	940 [CCT of 4000K]	Line Frequency	- Hz
Beam angle (nom.)	24 degree(s)	Input frequency	- Hz
Luminous Flux	460 lm	Power Consumption	6.7 W
Luminous intensity (nom.)	2,200 cd	Lamp current (nom.)	650 mA
Colour designation	Cool White (CW)	Wattage equivalent	35 W

MASTER LED spot ExpertColor LV

Starting time (nom.)	0.5 s
Warm-up time to 60% light	0.5 s
Power Factor (Fraction)	0.7
Voltage (nom.)	ac electronic 12 V

Temperature

T-Case maximum (nom.)	92 °C
-----------------------	-------

Controls and Dimming

Dimmable	Only with specific dimmers
----------	----------------------------

Mechanical and Housing

Lamp Finish	Clear
Bulb material	Plastic
Bulb shape	MR16
Net Weight (Piece)	0.052 kg

Approval and Application

Energy Efficiency Class	G
Suitable for accent lighting	Yes
Energy consumption kWh/1,000 hours	7 kWh
EPREL Registration Number	624218
CE mark	Yes

EU RoHS compliant	Yes
EyeComfort	Yes
Ambient temperature range	-20 to +45 °C

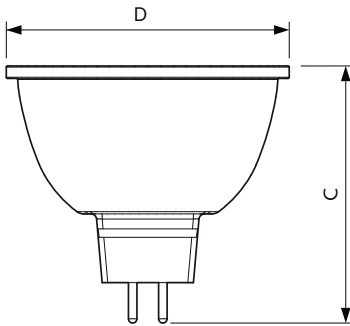
Application Conditions

Can it be used in closed luminaires	No
Wireless Technology	Not applicable

Product Data

Order product name	MAS LED ExpertColor 6.7-35W MR16 940 24D
Full product name	MAS LED ExpertColor 6.7-35W MR16 940 24D
Full EOC	871951435857700
Order code	929003079302
Material no. (12 NC)	929003079302
Numerator – quantity per pack	1
EAN/UPC – Product/Case	8719514358577
Numerator – packs per outer box	10
EAN/UPC - Case	8719514358584

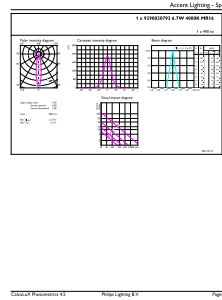
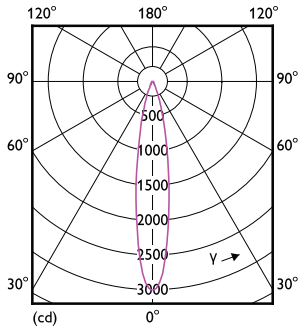
Dimensional drawing



Product	D	C
MAS LED ExpertColor 6.7-35W MR16 940 24D	50.5 mm	46 mm

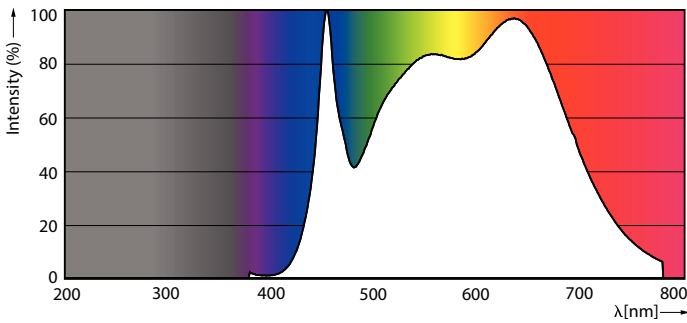
MASTER LED spot ExpertColor LV

Photometric data



Light Distribution Diagram - MAS LED ExpertColor 6.7-35W MR16 940 24D

Accent Lighting Spots - MAS LED ExpertColor 6.7-35W MR16 940 24D

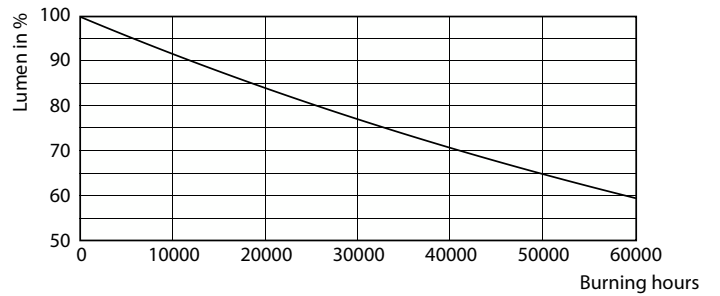


Spectral Power Distribution Colour - MAS LED ExpertColor 6.7-35W MR16 940 24D

Lifetime



Life Expectancy Diagram



Lumen Maintenance Diagram - MAS LED ExpertColor 6.7-35W MR16 940 24D

MASTER LED spot ExpertColor LV

