



# MASTER LED spot ExpertColor LV



## MAS LED ExpertColor 7.5-43W MR16 940 24D

MASTER, LEDspot, MR16, 43 W, GU5.3, 4000 K, 520 lm, CRI 92, 40000 h, Plastic

MASTER LEDspot LV ExpertColor creates a warm and comfortable ambience for hospitality venues, homes and restaurants. It creates such an ambience with superior lighting that has a customised spectrum, high CRI and deep dimming feature. The result? A beautiful lighting experience. What's more, the innovative, trimless lens design will suit almost any interior decor with its clean and neat look. In addition, you can take advantage of the full ExpertColor family, which also includes LEDspot MV lamps.

### Product data

General Information		Operating and Electrical	
Cap base	GU5.3	Correlated Colour Temperature (Nom)	4000 K
Nominal lifetime	40,000 h	Luminous efficacy (rated) (nom.)	69.00 lm/W
Switching Cycle	50,000	Colour consistency	<3
Lighting Technology	LEDspot	Colour rendering index (CRI)	92
Flux measurement reference	Narrow Cone	LLMF at end of nominal lifetime (nom.)	70 %
Warranty period	5 years	Luminous flux in 90° cone (rated)	520 lm
		Photobiological safety according to EN 62471	RG1
Light Technical			
Colour Code	940 [CCT of 4000K]	Line Frequency	- Hz
Beam angle (nom.)	24 degree(s)	Input frequency	- Hz
Luminous Flux	520 lm	Power Consumption	7.5 W
Luminous intensity (nom.)	2,800 cd	Lamp current (nom.)	720 mA
Colour designation	Cool White (CW)	Wattage equivalent	43 W

# MASTER LED spot ExpertColor LV

Starting time (nom.)	0.5 s
Warm-up time to 60% light	0.5 s
Power Factor (Fraction)	0.7
Voltage (nom.)	ac electronic 12 V

## Temperature

T-Case maximum (nom.)	93 °C
-----------------------	-------

## Controls and Dimming

Dimmable	Only with specific dimmers
----------	----------------------------

## Mechanical and Housing

Lamp Finish	Clear
Bulb material	Plastic
Bulb shape	MR16
Net Weight (Piece)	0.052 kg

## Approval and Application

Energy Efficiency Class	G
Suitable for accent lighting	Yes
Energy consumption kWh/1,000 hours	8 kWh
EPREL Registration Number	624212

CE mark	Yes
EU RoHS compliant	Yes
EyeComfort	Yes
Ambient temperature range	-20 to +45 °C

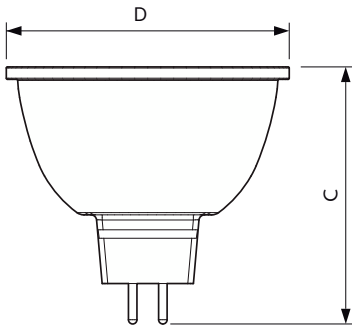
## Application Conditions

Can it be used in closed luminaires	No
-------------------------------------	----

## Product Data

Order product name	MAS LED ExpertColor 7.5-43W MR16 940 24D
Full product name	MAS LED ExpertColor 7.5-43W MR16 940 24D
Full EOC	871951435869000
Order code	929003079902
Material no. (12 NC)	929003079902
Numerator – quantity per pack	1
EAN/UPC – Product/Case	8719514358690
Numerator – packs per outer box	10
EAN/UPC - Case	8719514358706

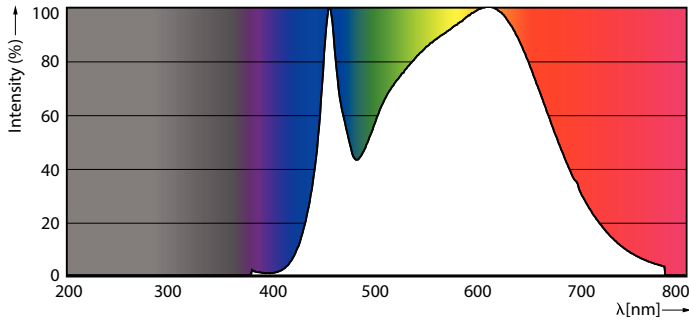
## Dimensional drawing



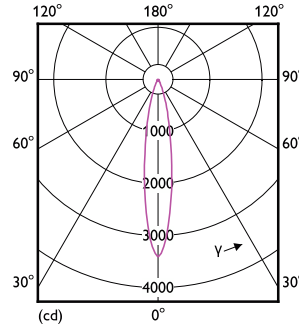
Product	D	C
MAS LED ExpertColor 7.5-43W MR16 940 24D	50.5 mm	46 mm

# MASTER LED spot ExpertColor LV

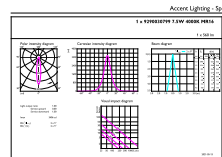
## Photometric data



Spectral Power Distribution Colour - MAS LED ExpertColor 7.5-43W MR16 940 24D



Light Distribution Diagram - MAS LED ExpertColor 7.5-43W MR16 940 24D



Accent Lighting Spots - MAS LED ExpertColor 7.5-43W MR16 940 24D

## Lifetime



Life Expectancy Diagram



Lumen Maintenance Diagram - MAS LED ExpertColor 7.5-43W MR16 940 24D

## MASTER LED spot ExpertColor LV

