



MASTER LED spot ExpertColor LV



MAS LED ExpertColor 7.5-43W MR16 930 36D

MASTER, LEDspot, MR16, 43 W, GU5.3, 3000 K, 500 lm, CRI 92, 40000 h, Plastic

MASTER LEDspot LV ExpertColor creates a warm and comfortable ambience for hospitality venues, homes and restaurants. It creates such an ambience with superior lighting that has a customised spectrum, high CRI and deep dimming feature. The result? A beautiful lighting experience. What's more, the innovative, trimless lens design will suit almost any interior decor with its clean and neat look. In addition, you can take advantage of the full ExpertColor family, which also includes LEDspot MV lamps.

Product data

General Information		Operating and Electrical	
Cap base	GU5.3	Correlated Colour Temperature (Nom)	3000 K
Nominal lifetime	40,000 h	Luminous efficacy (rated) (nom.)	66 lm/W
Switching Cycle	50,000	Colour consistency	<3
Lighting Technology	LEDspot	Colour rendering index (CRI)	92
Flux measurement reference	Narrow Cone	LLMF at end of nominal lifetime (nom.)	70 %
Warranty period	5 years	Luminous flux in 90° cone (rated)	500 lm
		Photobiological safety according to EN 62471	RG1
Light Technical			
Colour Code	930 [CCT of 3000K]	Line Frequency	- Hz
Beam angle (nom.)	36 degree(s)	Input frequency	- Hz
Luminous Flux	500 lm	Power Consumption	7.5 W
Luminous intensity (nom.)	1,550 cd	Lamp current (nom.)	720 mA
Colour designation	White (WH)	Wattage equivalent	43 W

MASTER LED spot ExpertColor LV

Starting time (nom.)	0.5 s
Warm-up time to 60% light	0.5 s
Power Factor (Fraction)	0.7
Voltage (nom.)	ac electronic 12 V

Temperature

T-Case maximum (nom.)	93 °C
-----------------------	-------

Controls and Dimming

Dimmable	Only with specific dimmers
----------	----------------------------

Mechanical and Housing

Lamp Finish	Clear
Bulb material	Plastic
Bulb shape	MR16
Net Weight (Piece)	0.052 kg

Approval and Application

Energy Efficiency Class	G
Suitable for accent lighting	Yes
Energy consumption kWh/1,000 hours	8 kWh
EPREL Registration Number	624224

CE mark	Yes
EU RoHS compliant	Yes
EyeComfort	Yes
Ambient temperature range	-20 to +45 °C

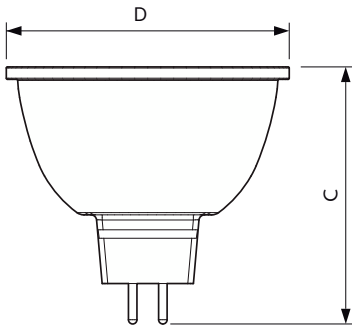
Application Conditions

Can it be used in closed luminaires	No
-------------------------------------	----

Product Data

Order product name	MAS LED ExpertColor 7.5-43W MR16 930 36D
Full product name	MAS LED ExpertColor 7.5-43W MR16 930 36D
Full EOC	871951435873700
Order code	929003080102
Material no. (12 NC)	929003080102
Numerator – quantity per pack	1
EAN/UPC – Product/Case	8719514358737
Numerator – packs per outer box	10
EAN/UPC - Case	8719514358744

Dimensional drawing



Product	D	C
MAS LED ExpertColor 7.5-43W MR16 930 36D	50.5 mm	46 mm

MASTER LED spot ExpertColor LV

