



MASTER LED spot ExpertColor AR111



MAS LEDExpertColor 20-100W 930 AR111 24D

MASTER, LEDspot, AR111, 100 W, G53, 3000 K, 1270 lm, CRI 95, 40000 h

The MASTER LEDspot LV ExpertColor creates a warm and comfortable ambience for hospitality venues, homes and restaurants. It creates ambience with superior lighting that has a customised spectrum, high CRI and deep dimming features. The result? A beautiful lighting experience. What's more, the innovative, trimless lens design will also suit almost any interior decor with its clean and neat look. In addition, you can take advantage of the full ExpertColor family, which also includes LEDspot LV and LEDspot Par lamps.

Product data

General Information		Correlated Colour Temperature (Nom)	
Cap base	G53		3000 K
Nominal lifetime	40,000 h	Luminous efficacy (rated) (nom.)	63 lm/W
Switching Cycle	50,000	Colour consistency	<4
Lighting Technology	LEDspot	Colour rendering index (CRI)	95
Flux measurement reference	Narrow Cone	LLMF at end of nominal lifetime (nom.)	70 %
Warranty period	5 years	Luminous flux in 90° cone (rated)	1,270 lm
		Photobiological safety according to EN 62471	RG1
Light Technical		Operating and Electrical	
Colour Code	930 [CCT of 3000K]	Line Frequency	50 to 60 Hz
Beam angle (nom.)	24 degree(s)	Input frequency	50 to 60 Hz
Luminous Flux	1,270 lm	Power Consumption	20 W
Luminous intensity (nom.)	4,200 cd	Lamp current (nom.)	2,000 mA
Colour designation	White (WH)	Wattage equivalent	100 W

MASTER LED spot ExpertColor AR111

Starting time (nom.)	0.5 s
Warm-up time to 60% light	0.5 s
Power Factor (Fraction)	0.7
Voltage (nom.)	12 V

Temperature

T-Case maximum (nom.)	77 °C
-----------------------	-------

Controls and Dimming

Dimmable	Only with specific dimmers
----------	----------------------------

Mechanical and Housing

Lamp Finish	Clear
Bulb shape	AR111
Net Weight (Piece)	0.162 kg

Approval and Application

Energy Efficiency Class	G
Suitable for accent lighting	Yes
Energy consumption kWh/1,000 hours	20 kWh
EPREL Registration Number	1122533
CE mark	Yes
EU RoHS compliant	Yes

EyeComfort	Yes
Flickering value (PstLM)	1
Stroboscopic effect	1.5
Ambient temperature range	-20°C to 45°C

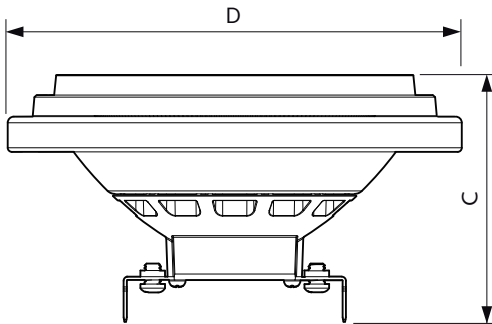
Application Conditions

Can it be used in closed luminaires	No
Wireless Technology	Not applicable

Product Data

Order product name	MAS LEDExpertColor 20-100W 930 AR111 24D
Full product name	MAS LEDExpertColor 20-100W 930 AR111 24D
Full EOC	871951442969700
Order code	929003478702
Material no. (12 NC)	929003478702
Numerator – quantity per pack	1
EAN/UPC – Product/Case	8719514429697
Numerator – packs per outer box	6
EAN/UPC - Case	8719514429703

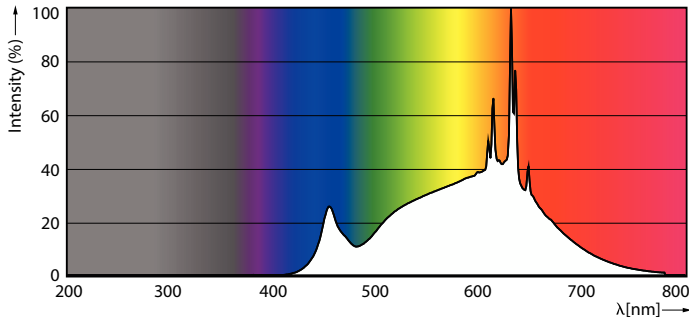
Dimensional drawing



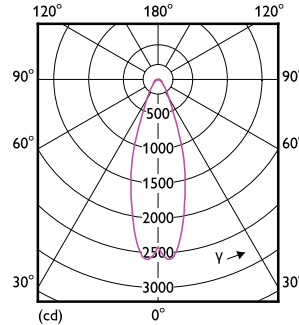
Product	D	C
MAS LEDExpertColor 20-100W 930 AR111 24D	111 mm	62 mm

MASTER LED spot ExpertColor AR111

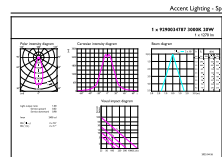
Photometric data



Spectral Power Distribution Colour - MAS LEExpertColor 20-100W 930 AR111 24D



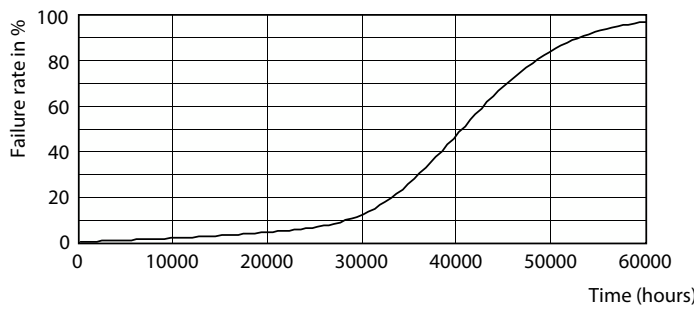
Light Distribution Diagram - MAS LEExpertColor 20-100W 930 AR111 24D



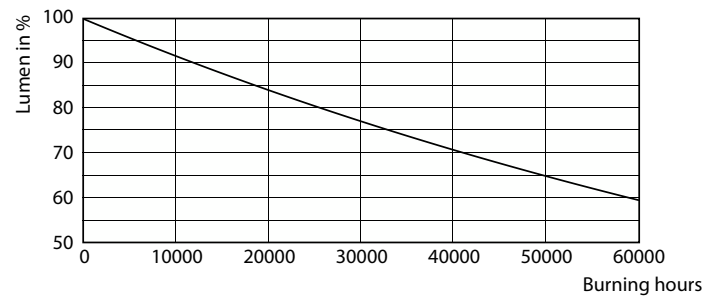
Accent Lighting - Spots

Accent Lighting Spots - MAS LEExpertColor 20-100W 930 AR111 24D

Lifetime



Life Expectancy Diagram



Lumen Maintenance Diagram - MAS LEExpertColor 20-100W 930 AR111 24D

MASTER LED spot ExpertColor AR111

