



Essential SmartBright LED spot.

LEDSpot 50W DS ND MR16 12V 60D 1CT/6 AU

3CCT dip switch combines 3 color temperature into one lamp and targets retailers who wants to keep portfolio on the shelf and the inventory in warehouse as less as possible and ensures end users buy right lamps.

Product data

General Information		Input Frequency	
Cap-Base	GU5.3	Input Frequency	- Hz
Nominal lifetime	15,000 h	Power Consumption	5 W
Switching Cycle	50,000	Lamp Current (Nom)	600 mA
Rated Lifetime (Hours)	15,000 h	Wattage Equivalent	50 W
Lighting Technology	LED	Starting Time (Nom)	0.5 s
		Warm-up time to 60% light	0.5 s
		Power Factor (Fraction)	0.5
		Voltage (Nom)	ac electronic 12 V
Light Technical		Temperature	
Color Code	3000/4000/6500	Ambient temperature range	-20 °C to 45 °C
Color Code	3000/4000/6500	T-Case Maximum (Nom)	68 °C
Beam Angle (Nom)	60 degree(s)		
Luminous Intensity (Nom)	430 cd	Controls and Dimming	
Color Designation	3000/4000/6500	Dimmable	No
Luminous Efficacy (rated) (Nom)	110 lm/W		
Correlated Color Temperature (Nom)	3000 4000 6500 K	Mechanical and Housing	
Color Consistency	<6	Bulb Finish	Clear
Color rendering index (CRI)	80	Bulb Material	Plastic
LLMF At End Of Nominal Lifetime (Nom)	70 %	Bulb Shape	MR16
Operating and Electrical			
Line Frequency	- Hz		

Essential SmartBright LED spot.

Approval and Application

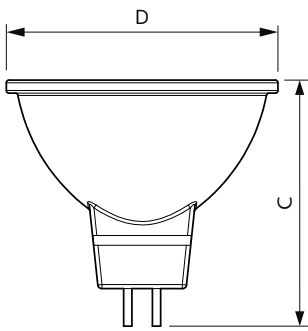
Suitable For Accent Lighting	Yes
EU RoHS compliant	Yes
EyeComfort	Yes
LED Innovations	EyeComfort

Product Data

Order product name	LEDSpot 50W DS ND MR16 12V 60D 1CT/6 AU
Full product name	LEDSpot 50W DS ND MR16 12V 60D 1CT/6 AU
Full product code	871951447903600

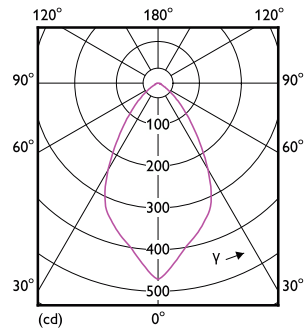
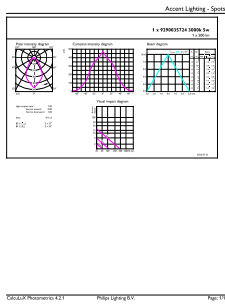
Order code	929003572419
Material Nr. (12NC)	929003572419
Numerator - Quantity Per Pack	1
Net Weight (Piece)	0.026 kg
EAN/UPC - Product/Case	8719514479036
Numerator - Packs per outer box	6
EAN/UPC - Case	8719514479043

Dimensional drawing



Product	D	C
LEDSpot 50W DS ND MR16 12V 60D 1CT/6 AU	50 mm	45 mm

Photometric data

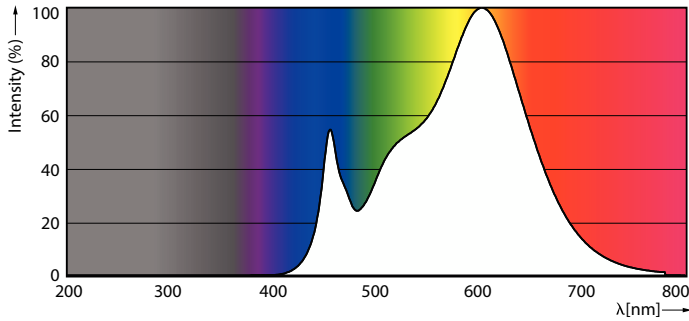


Accent Lighting Spots - LEDSpot 50W DS ND MR16 12V 60D 1CT/6 AU

Light Distribution Diagram - LEDSpot 50W DS ND MR16 12V 60D 1CT/6 AU

Essential SmartBright LED spot.

Photometric data



Spectral Power Distribution Colour - LEDSpot 50W DS ND MR16 12V 60D
1CT/6 AU

Lifetime



Life Expectancy Diagram



Lumen Maintenance Diagram - LEDSpot 50W DS ND MR16 12V 60D 1CT/6
AU

