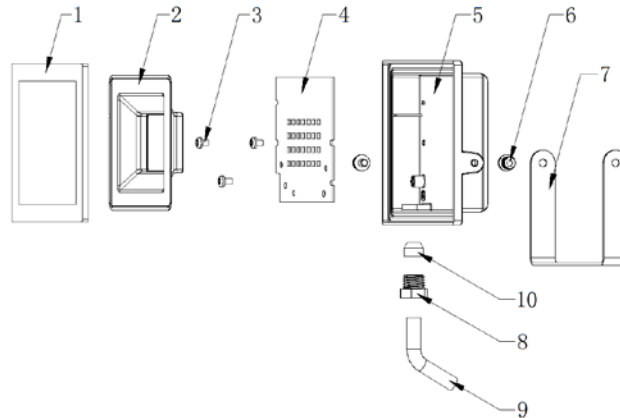


# Dismantling Recommendation on Disposal at End of Life

## Composition Explanation



No.	Components	Specifications	Unit	Quantity
1	stalinite	stalinite	PCS	1
2	reflector	PC	PCS	1
3	philip's head screw M3	steel	PCS	3
4	DOB module		PCS	1
5	housing	ADC12	PCS	1
6	sem screw sem scr M4	SUS304	PCS	2
7	bracket	SPCC	PCS	1
8	Waterproof cap	PC	PCS	1
9	3*1.0mm2 sulated wire		PCS	1
10	Waterproof joint	Rubber	PCS	1

## Dismantling Recommendation on Disposal at End of Life

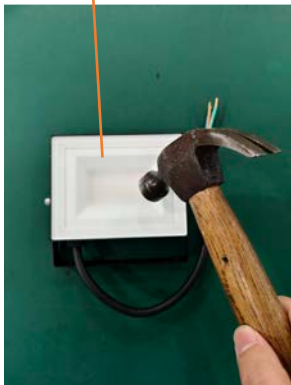
### Dismantling

#### Recommendation on Disposal

- Plastic part: Reuse and Recycling
- Electrical part: Incineration and disposal
- Metal part: Recycling

#### Light source dismantling process

1. Break the glass(Take care to prevent glass splashing)



2. Remove glass



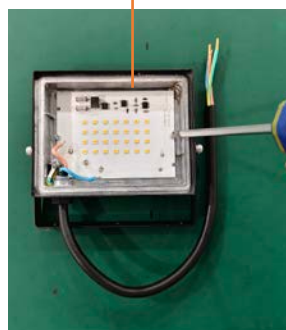
3. Remove the reflector



6. Remove the light source panel



5. Use a screwdriver to remove the screw



4. Use a soldering iron to heat and weld down the wire

