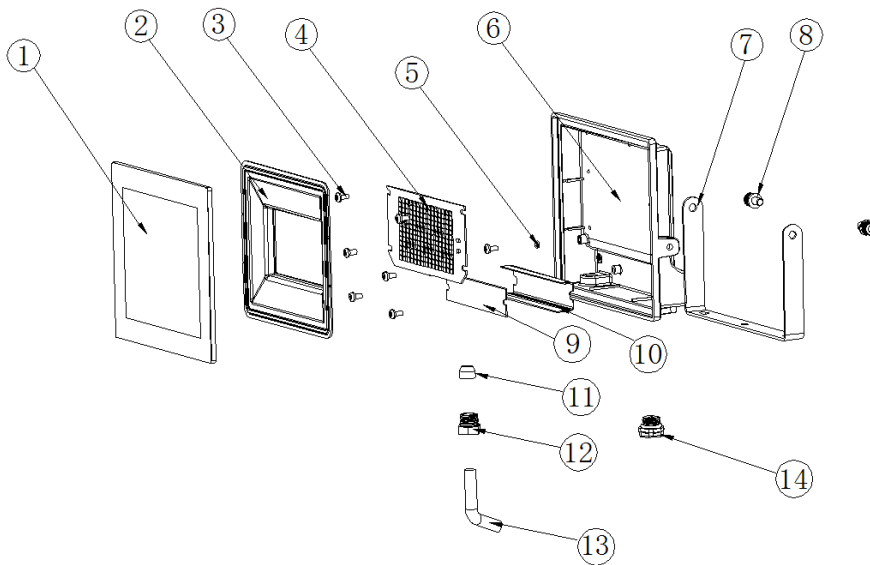


## Dismantling Recommendation on Disposal at End of Life

### Composition Explanation



No.	Components	Specifications	Unit	Quantity
1	stalinite	stalinite	PCS	1
2	reflector	PC	PCS	1
3	philip's head screw M3	steel	PCS	7
4	Led plate		PCS	1
5	spring cushion	spring steels	PCS	1
6	housing	ADC12	PCS	1
7	Bracket	SPCC	PCS	1
8	sem screw sem scr M5	SUS304	PCS	2
9	driver		PCS	1
10	Drive box	PC	PCS	1
11	Waterproof joint	Rubber	PCS	1
12	Waterproof cap	PC	PCS	1
13	3*1.0mm2 sulated wire		PCS	1
14	breather alve	PC	PCS	1

## Dismantling Recommendation on Disposal at End of Life

### Dismantling

#### Recommendation on Disposal

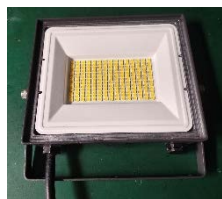
- Plastic part: Reuse and Recycling
- Electrical part: Incineration and disposal
- Metal part: Recycling

#### Light source dismantling process

1. Break the glass(Take care to prevent glass splashing)



2. Remove glass



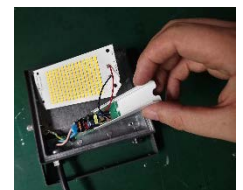
3. Remove the reflector



4. Use a screwdriver to remove the screw



5. Take out drive box



6. Use a soldering iron to heat and weld down the wire



7. Remove the light source part



Light Source