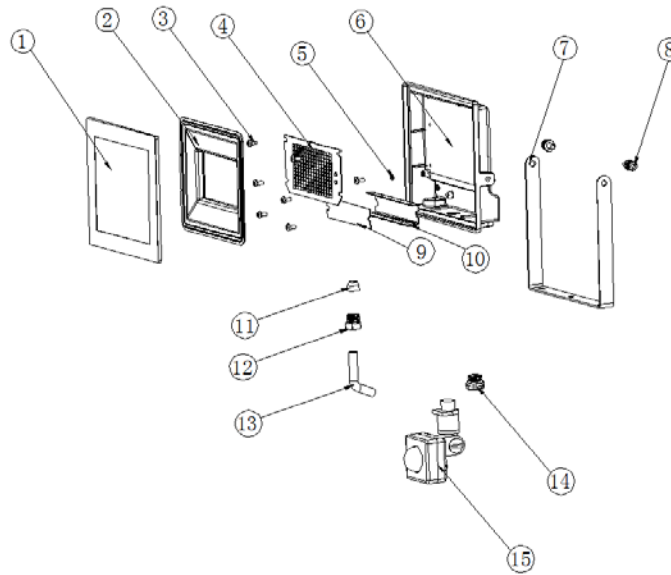


## Dismantling Recommendation on Disposal at End of Life

### Composition Explanation



No.	Components	Specifications	Unit	Quantity
1	stalinite	stalinite	PCS	1
2	reflector	PC	PCS	1
3	philip's head screw M3	steel	PCS	7
4	Led plate		PCS	1
5	spring cushion	spring steels	PCS	1
6	housing	ADC12	PCS	1
7	Bracket	SPCC	PCS	1
8	sem screw sem scr M5	SUS304	PCS	2
9	driver		PCS	1
10	Drive box	PC	PCS	1
11	Waterproof joint	Rubber	PCS	1
12	Waterproof cap	PC	PCS	1
13	3*1.0mm2 sulated wire		PCS	1
14	breather alve	PC	PCS	1
15	Sensor		PCS	1

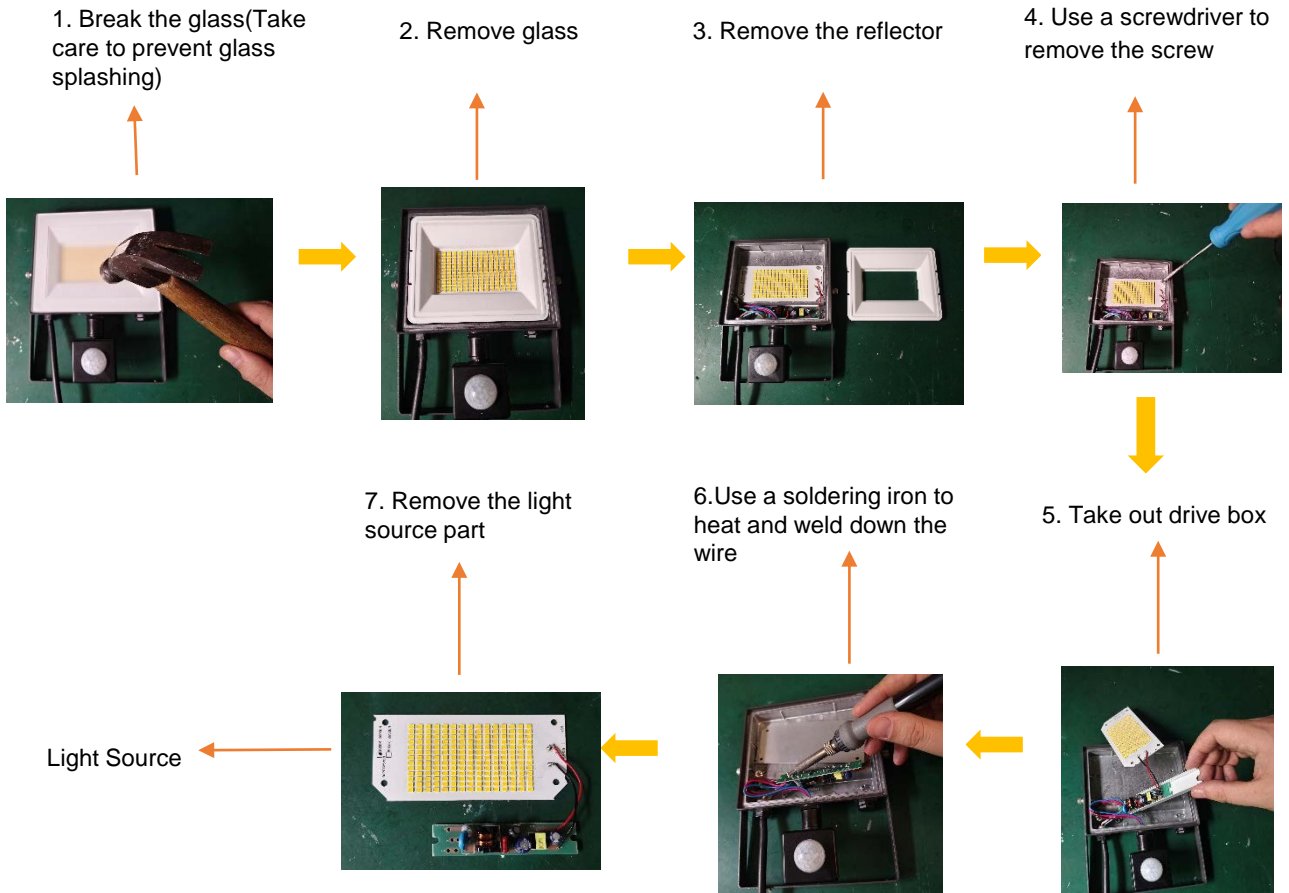
## Dismantling Recommendation on Disposal at End of Life

### Dismantling

#### Recommendation on Disposal

- Plastic part: Reuse and Recycling
- Electrical part: Incineration and disposal
- Metal part: Recycling

#### Light source dismantling process



## Dismantling Recommendation on Disposal at End of Life

### Dismantling

#### Recommendation on Disposal

- Plastic part: Reuse and Recycling
- Electrical part: Incineration and disposal
- Metal part: Recycling

#### Light source dismantling process

8. Saw off the sensor housing



9. Remove the sensor

