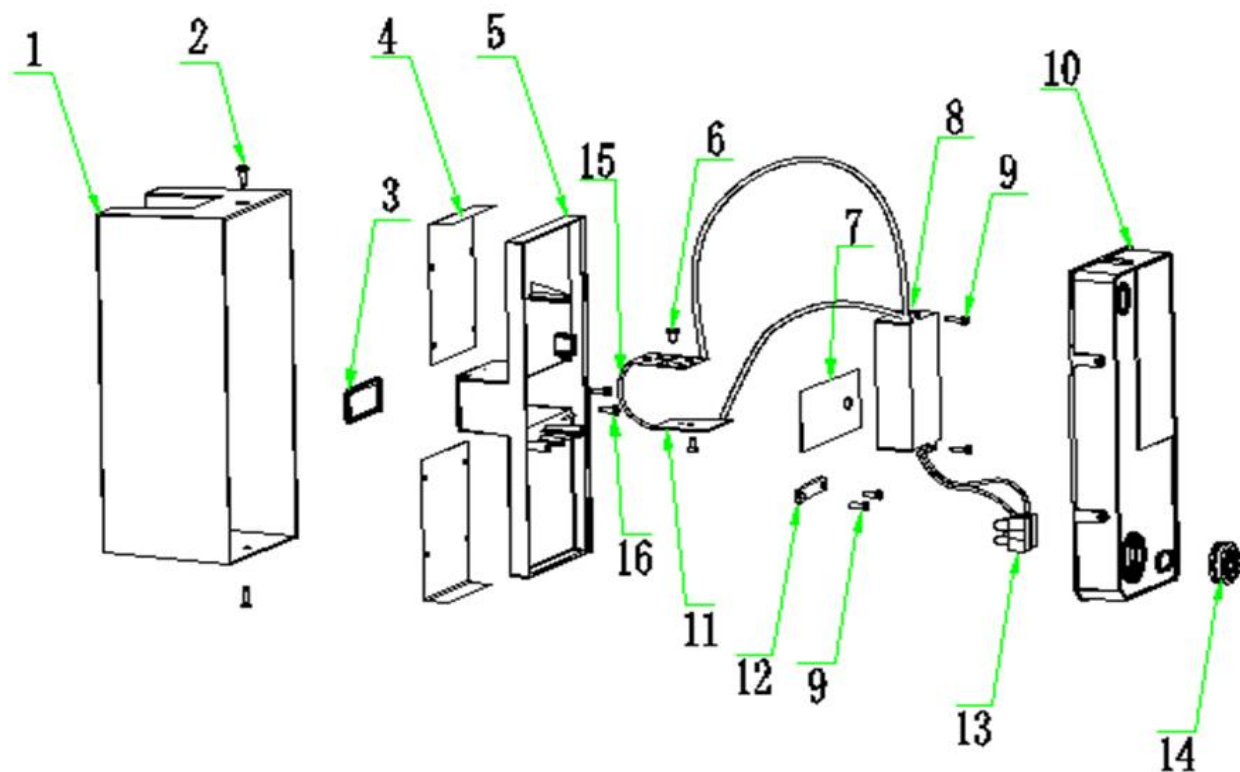


## Dismantling Recommendation on Disposal at End of Life

### Composition Explanation



No.	Components	Specifications	Unit	Quantity
1	17OU1-B body	ADC12	PCS	1
2	BT3*10 screw	SS 304	PCS	2
3	17OU1-B gasket	Rubber	PCS	1
4	17OU1-B SS cover	SS 304	PCS	2
5	17OU1-B diffuser	HIPP HJ730	PCS	1
6	M3*4 screw	Zinc coated	PCS	2
7	17OU1-B plate	ABS	PCS	1
8	PYS-10-350 10W driver		PCS	1
9	BT2.9*8 screw	Zinc coated	PCS	4
10	17OU1-16483E wall plate	ABS	PCS	1
11	2YL20-6-8DB4W-C006		PCS	2
12	Strain relief	PC	PCS	1

# Dismantling Recommendation on Disposal at End of Life

## Composition Explanation

No.	Components	Specifications	Unit	Quantity
13	Terminal block	PA10	PCS	1
14	φ27 gromet	TPE	PCS	1
15	VDE white wire	H05S-K,1*0.5mm <sup>2</sup>	PCS	1
16	M3*8 screw	Zinc coated	PCS	2

# Dismantling Recommendation on Disposal at End of Life

## Dismantling

- Type: Without permanent damage

## Recommendation on Disposal

- Plastic part: Reuse and Recycling
- Electrical part: Incineration and disposal
- Metal part: Recycling

## Light source dismantling process

