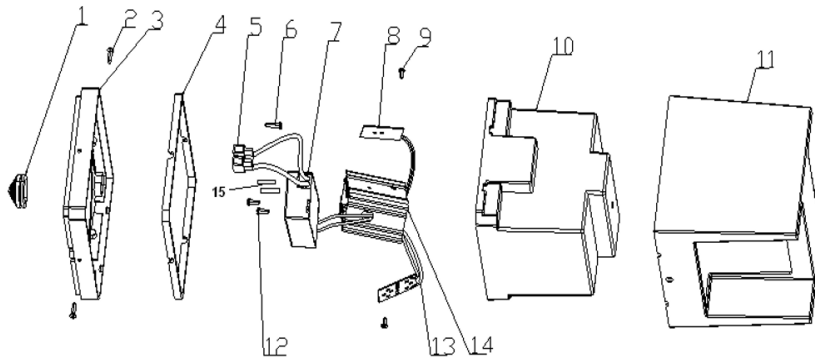


Dismantling Recommendation on Disposal at End of Life

Composition Explanation



No.	Components	Specifications	Unit	Quantity
1	Gromet	TPE	PCS	1
2	BT3*10 screw	SS	PCS	2
3	Wall plate	ABS	PCS	1
4	Gasket	Rubber	PCS	1
5	Terminal block		PCS	1
6	ST2.9*14 screw	Zinc coated	PCS	1
7	Driver		PCS	1
8	L2		PCS	2
9	M3*5 screw	Zinc coated	PCS	2
10	Diffuser	PC	PCS	1
11	Body	AL	PCS	1
12	BT2.9*8 screw	Zinc coated	PCS	2
13	VDE white wire	H05S-K 0.75mm2	PCS	1
14	Heatsink	AL	PCS	1

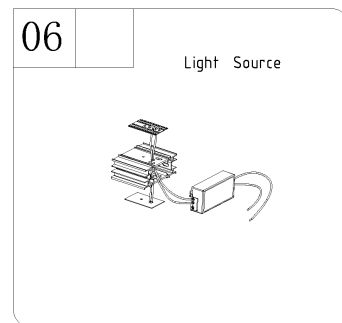
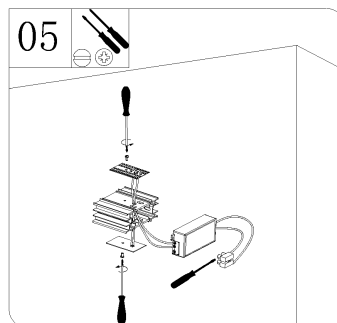
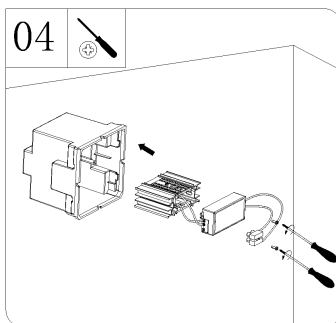
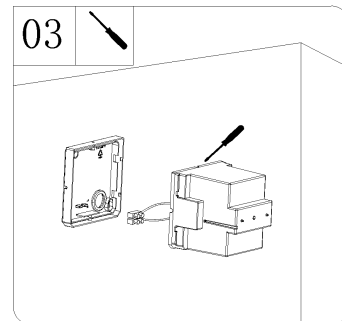
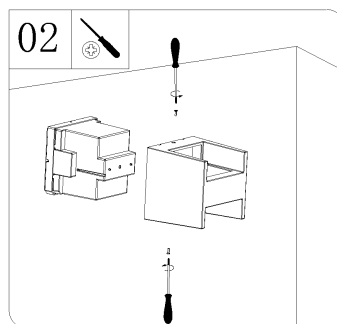
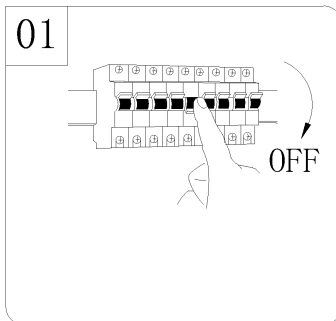
Dismantling Recommendation on Disposal at End of Life

Dismantling

- Type: Without permanent damage

Recommendation on Disposal

- Plastic part: Reuse and Recycling
- Electrical part: Incineration and disposal
- Metal part: Recycling



Dismantling Recommendation on Disposal at End of Life

New Light Source Assembly Instruction:

