



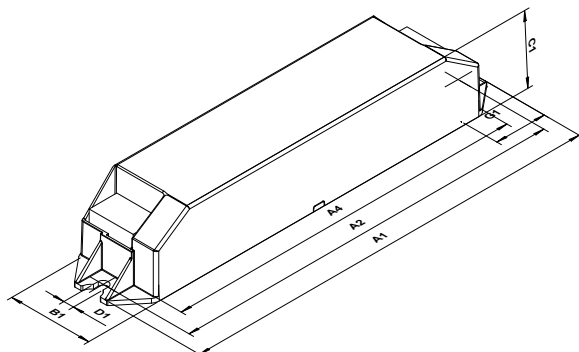
The Advance SRB-Lite enables the use of SR/DALI-2/D4i compatible sensors/controllers with fixtures utilizing standard 0-10V LED Drivers. The SRB-Lite acts as an interface to convert the digital dimming and ON/OFF commands from the sensor/controller to Analog 0-10V and Relay switching commands. It also provides low voltage DALI bus power supply and extra Aux power supply to the connected sensor/controller

Specifications

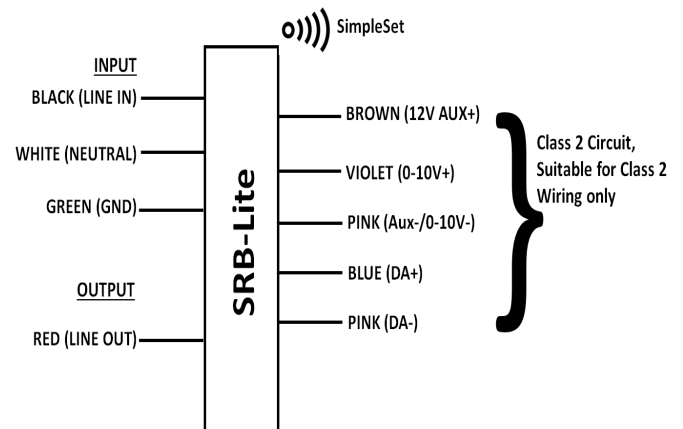
Input Voltage (Vac)	Max Load (VA)	Stby Power (W)	Surge Protection Common/Diff (KV)
$120 \leq V_{in} < 240 \text{ Vac}$	600	< 1.0	> 6.0
$240 \leq V_{in} \leq 277 \text{ Vac}$	831		

Enclosure

	In. (mm)	Tolerance (mm)
Overall Length (A1)	6.61 (168)	± 0.8
Mounting Length (A2)	6.18 (157)	± 0.8
Case Length (A4)	5.68 (144.2)	± 0.5
Case Width (B1)	1.34 (34)	± 0.5
Case Height (C1)	1.14 (29)	± 1.0
Mounting Hole Diameter (D1)	0.17 (4.3)	± 0.3
Center of SimpleSet Antenna (G1)	0.83 (21)	± 3.0



Wiring Diagram



Control Interface, Input	Dimming Interface, Output
SR/DALI-2/D4i	0-10V

WARNING

- Install in accordance with national and local electrical codes.
- The line & neutral should be disconnected before completion of the wiring to eliminate the risk of electric shock.

GROUNDING

- Ground terminal must be grounded.



Xitanium SR SRB-Lite

Electrical Specifications

All the specifications are typical and at 25°C ambient unless specified otherwise.

Features

- DALI-2 Part 250 compliant DALI bus power supply
- DALI-2 Part 251 compliant memory bank for Luminaire Asset Management
- DALI-2 Part 252 compliant memory bank with estimated energy metering data
- 12V Aux power supply
- 6kv surge rating
- Zero-crossing switching
- Linear (1-8v) dimming curve matches standard Advance Xitanium drivers
- 0-10V interface is designed to sink or source current of up to 10mA

Benefits

- Works with multiple SR/DALI-2/D4i-compatible wireless lighting control products available on the market today
- Monitor and manage overall energy usage
- Matches standard Xitanium dimming drivers
- Asset management
- Suitable for Office and High-bay luminaires with standard 0-10V drivers

Application

- Industry/Warehouse/High-bay fixtures
- Office linear and downlight fixtures
- Outdoor fixtures

Product Data

Ordering Information	
Full Product Code	SRB-Lite, 12NC: 929002772013
Net Weight Per Piece	0.21lb/92gms
Packaging	Mid-Pack, 14pcs/box
Global Trade Identification Number (GTIN)	781087171561
Input and Output Information	
Inrush Current	Per NEMA 410, for max. number of drivers listed
Line Voltage (AC operation)	120-277 VAC, +/-10%
Line VA, Max. Load	600VA @ 120<=Vin<240Vac,831VA @240<=Vin<=277Vac
Line Frequency	50/60Hz
Standby Power	<1W
Features	
Life @ 75°C Ambient Temp	50,000 hrs
Operating Ambient Temp Range	-40°C to +75°C, ambient temperature means air temperature near the SRB-Lite inside of a fixture
Energy/Power Reporting	In standard memory banks based on configured input power
Dimming Profile	linear (default 1 – 8V); Programmable
0-10V Dimming Interface Max Sourcing/Sinking Current	+/- 10mA
Aux Power Supply	12Vdc +/-10%, Nominal Current=100mA
Environment & Approbation	
Agency Approbations	UL, cUL
Audible Noise	26dB typ. not including start-up; 46dB typ. at start-up
EMC (electromagnetic compliance)	Meets FCC 47 Part 15 Class A
Envir. Protection Rating	UL Dry & Damp

Xitanium SR SRB-Lite

Lighting Surge Info

ANSI Surge Type	Differential Mode (L-N)	Common Mode (L-G, N-G, L&N-G)
1.2/50µs Combination Wave (w/t 2Ω)	>6.0kV	>6.0kV

Isolation

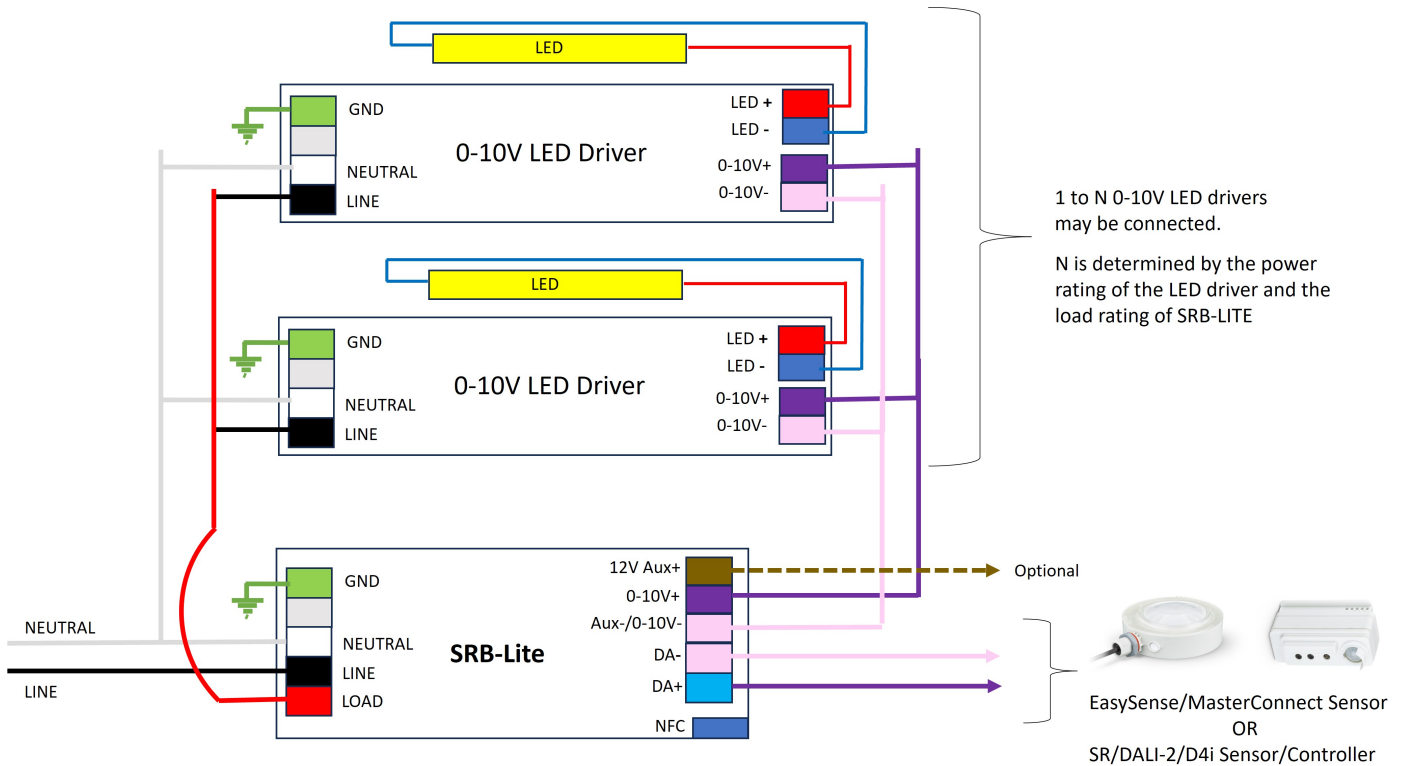
Isolation	Line In	Ground	DA	0-10V	Line Out
Line In	NA	2xU+1kv	2xU+1kv	2xU+1kv	Not Isolated
Ground	2xU+1kv	NA	500v	500v	2xU+1kv
DA	2xU+1kv	500v	NA	Not Isolated	2xU+1kv
0-10V	2xU+1kv	500v	Not Isolated	NA	2xU+1kv
Line Out	Not Isolated	2xU+1kv	2xU+1kv	2xU+1kv	NA

U = Max input voltage

Installation and Application Notes

- SR bridge may emit slight audible noise when relay switches on or off.

Wiring Diagram:



© 2024 Signify Holding. All rights reserved. The information provided herein is subject to change, without notice. Signify does not give any representation or warranty as to the accuracy or completeness of the information included herein and shall not be liable for any action in reliance thereon. The information presented in this document is not intended as any commercial offer and does not form part of any quotation or contract, unless otherwise agreed by Signify.

Signify North America Corporation
400 Crossing Blvd, Suite 600
Bridgewater, NJ 08807
Telephone: 800-500-0050

Signify Canada Ltd.
281 Hillmount Road,
Markham, ON, Canada L6C 2S3
Telephone: 800-668-9008

All trademarks are owned by Signify Holding or their respective owners.