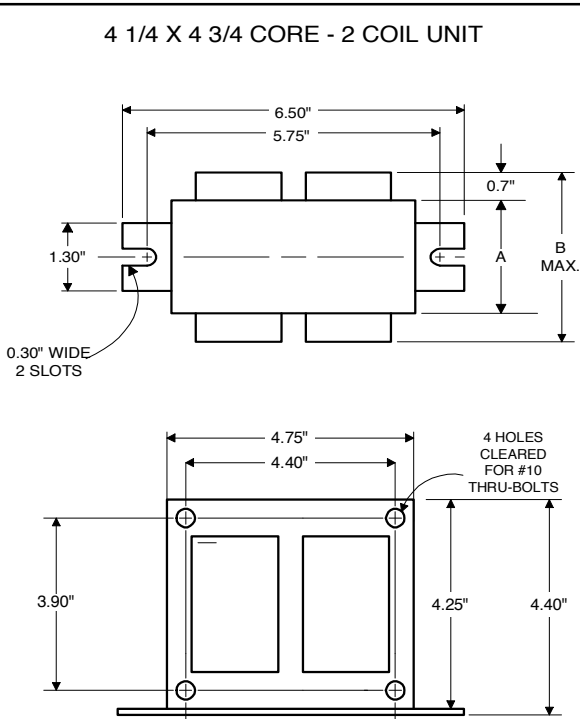
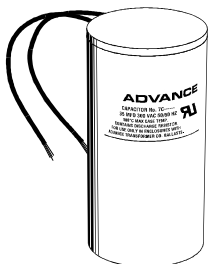
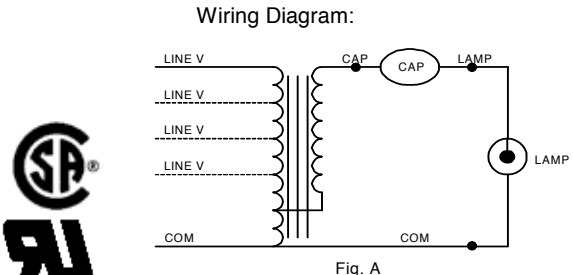


Electrical Specifications at 120-277-347V

DIMENSIONS AND DATA		120	277	347		
<p>4 1/4 X 4 3/4 CORE - 2 COIL UNIT</p> 						
<p>INPUT VOLTS</p>						
CIRCUIT TYPE		CWA				
POWER FACTOR (min)		90%				
REGULATION						
Line Volts		±10%				
Lamp Watts		±10%				
LINE CURRENT (Amps)						
Operating.....		4.00	1.75	1.40		
Open Circuit.....		2.60	1.20	0.90		
Starting.....		2.60	1.20	0.90		
UL TEMPERATURE RATINGS						
Insulation Class		H(180°C)				
Coil Temperature Code		1029				
MIN. AMBIENT STARTING TEMP.		-20°F or -30°C				
NOM. OPEN CIRCUIT VOLTAGE		300				
INPUT VOLTAGE AT LAMP DROPOUT.....		60	138	174		
INPUT WATTS		460				
RECOMMENDED FUSE (Amps).....		10	5	4		
CORE and COIL						
Dimension (A)		2.15				
Dimension (B)		4.00				
Weight (lbs.)		12				
Lead Lengths		12"				
CAPACITOR REQUIREMENT						
Microfarads		24.0				
Volts (min.)		400				
Fault Current Withstand (amps)						
60 Hz TEST PROCEDURES (Refer to Advance Test Procedure for HID Ballasts - Form 1270)						
High Potential Test (Volts)						
1 minute		2000				
2 seconds		2500				
Open Circuit Voltage Test (Volts)		270-330				
Short-Circuit Current Test (Amps)						
Secondary Current		3.50-4.30				
Input Current.....		2.75-4.20	1.20-1.80	0.95-1.45	-	-
<p>Capacitor: 7C240P40-R</p>  <p>Capacitance: 24 Dia/Oval Dim: 1.75 Height: 4.8 Temp Rating: 105°C</p>						
<p>Wiring Diagram:</p>  <p>Fig. A</p>						
<p>Ignitor: NA</p> <p>This ballast does not require the use of an ignitor.</p>						
Ordering Information						
Order Suffix		Description				
<p>Data is based upon tests performed by Advance Transformer in a controlled environment and representative of relative performance. Actual performance can vary depending on operating conditions. Specifications are subject to change without notice.</p>						

Metal Halide 71A60A1A

The information presented in this document is not intended as any commercial offer and does not form part of any quotation or contract.



© 2019 Signify Holding. All rights reserved. This document contains information relating to the product portfolio of Signify which information may be subject to change. No representation or warranty as to the accuracy or completeness of the information included herein is given and any liability for any action in reliance thereon is disclaimed. All trademarks are owned by Signify Holding or their respective owners.

Signify North America Corporation
200 Franklin Square Drive,
Somerset, NJ 08873
Telephone 855-486-2216

Signify Canada Ltd.
281 Hillmount Road,
Markham, ON, Canada L6C 2S3
Telephone 800-668-9008