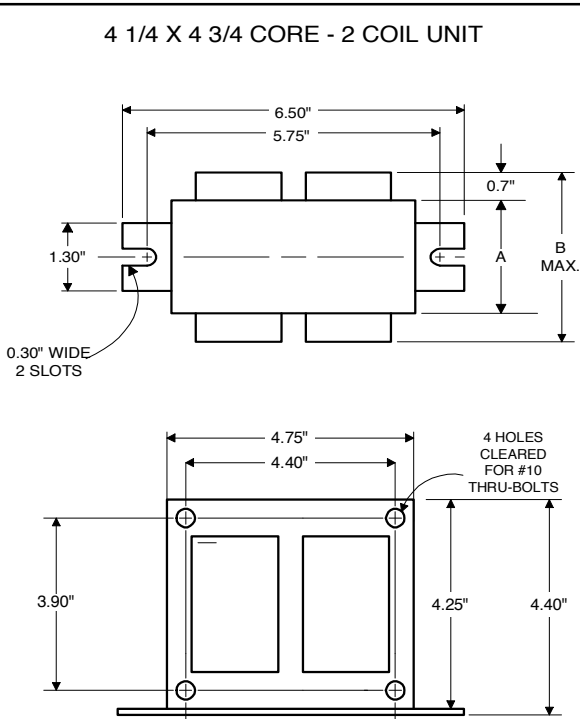
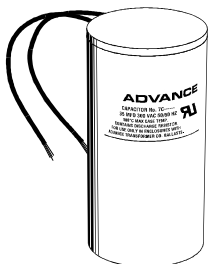

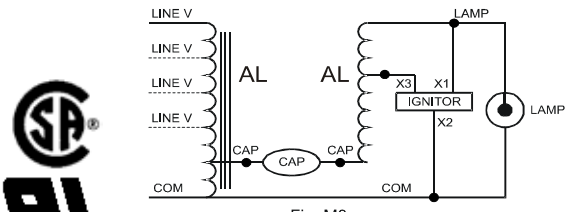


Electrical Specifications at 120-208-240-277V

DIMENSIONS AND DATA		120	208	240	277				
<p>4 1/4 X 4 3/4 CORE - 2 COIL UNIT</p> 									
<p>INPUT VOLTS</p>									
CIRCUIT TYPE		SUPER-CWA							
POWER FACTOR (min)		90%							
REGULATION									
Line Volts		±10%							
Lamp Watts		±10%							
LINE CURRENT (Amps)									
Operating.....		3.80	2.20	1.90	1.65				
Open Circuit.....		2.60	1.56	1.31	1.17				
Starting.....		2.97	1.68	1.48	1.30				
UL TEMPERATURE RATINGS									
Insulation Class		H(180°C)							
Coil Temperature Code		1029							
MIN. AMBIENT STARTING TEMP.		-20°F or -30°C							
NOM. OPEN CIRCUIT VOLTAGE		270							
INPUT VOLTAGE AT LAMP DROPOUT.....		60	104	120	138				
INPUT WATTS		452							
RECOMMENDED FUSE (Amps).....		10	7	5	5				
CORE and COIL									
Dimension (A)		2.10							
Dimension (B)		4.10							
Weight (lbs.)		10.63							
Lead Lengths		12"							
CAPACITOR REQUIREMENT									
Microfarads		26.0							
Volts (min.)		330							
Fault Current Withstand (amps)									
60 Hz TEST PROCEDURES (Refer to Advance Test Procedure for HID Ballasts - Form 1270)									
High Potential Test (Volts)									
1 minute		2000							
2 seconds		2500							
Open Circuit Voltage Test (Volts)		235-290							
Short-Circuit Current Test (Amps)									
Secondary Current		3.60-4.40							
Input Current.....		2.40-3.60	1.40-2.10	1.20-1.80	1.05-1.55				
<p>Capacitor: 7C260P33-R</p>  <p>Capacitance: 26 Dia/Oval Dim: 1.75 Height: 4.8 Temp Rating: 105°C</p>									
<p>Ignitor: LI533-H4</p>  <p>Ballast to Lamp Distance (BTL) = 2 feet Temp Rating: 105°C</p>									
<p>Wiring Diagram:</p>  <p>Fig. M8</p>									
<p>Ordering Information</p> <table border="1"> <thead> <tr> <th>Order Suffix</th> <th>Description</th> </tr> </thead> <tbody> <tr> <td>001D</td> <td>STANDARD IC PACK WITH DRY CAP - NO FLAG TERMINALS</td> </tr> </tbody> </table>						Order Suffix	Description	001D	STANDARD IC PACK WITH DRY CAP - NO FLAG TERMINALS
Order Suffix	Description								
001D	STANDARD IC PACK WITH DRY CAP - NO FLAG TERMINALS								
<p>Data is based upon tests performed by Advance Transformer in a controlled environment and representative of relative performance. Actual performance can vary depending on operating conditions. Specifications are subject to change without notice.</p>									

Metal Halide 71A6092A

The information presented in this document is not intended as any commercial offer and does not form part of any quotation or contract.



© 2019 Signify Holding. All rights reserved. This document contains information relating to the product portfolio of Signify which information may be subject to change. No representation or warranty as to the accuracy or completeness of the information included herein is given and any liability for any action in reliance thereon is disclaimed. All trademarks are owned by Signify Holding or their respective owners.

Signify North America Corporation
200 Franklin Square Drive,
Somerset, NJ 08873
Telephone 855-486-2216

Signify Canada Ltd.
281 Hillmount Road,
Markham, ON, Canada L6C 2S3
Telephone 800-668-9008