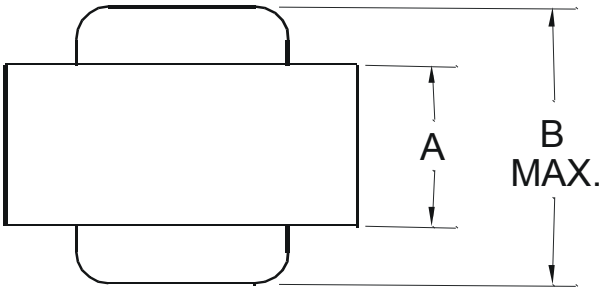
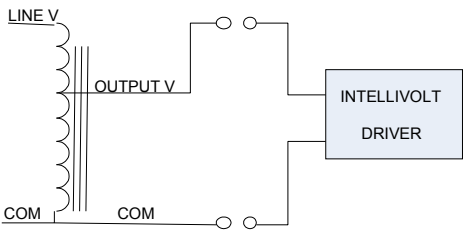
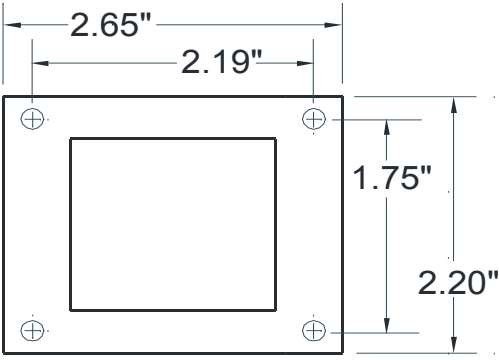



Electrical Specifications at 347-480V

DIMENSIONS AND DATA			
<p style="text-align: center;">7/8 E-I Core</p> 		 <p style="text-align: center;">Fig. T-5</p>	
A Dimension	B Dimension	Input	Output
2.35"	3.6"	347V	190V
		480V	270V
		1.0 A max.	350 VA Load max.
		 <p style="text-align: right;">E65627 AD 180</p>	
<p>Data is based on tests performed by Philips Advance in a controlled environment and is representative of relative performance. Actual performance can vary depending on operating conditions. Specifications are subject to change without notice. All specifications are nominal unless otherwise noted.</p>			

Step-down 71A9843-600

