

PHILIPS

Interact Ready
RF Switch Relay

RFSR20



Specification Sheet

RFSR20

Interact Ready RF Switch Relay

- Output control loads up to 20 A general purpose, 16 A electronic ballasts or 1.12 kW (1.5 hp) motor loads
- 0-10 V dimming control
- Plenum rated design with easy junction box mounting
- Universal Input Voltage 120/222/347 Vac (neutral required)
- Fails safe to 70% if communications are lost

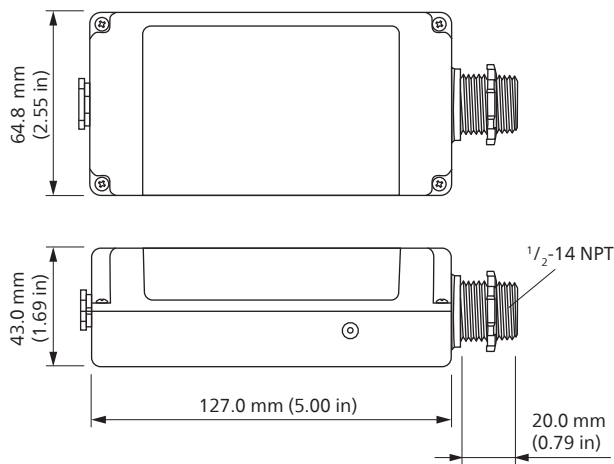
RFSR20

Product description

The RFSR20 Interact Ready RF Switch Relay with 0-10V control is an integral part of the Interact connected lighting system and offers a 120/277/347 Vac, 20 A relay control and continuous 0-10V dimming control of LED and non LED loads.

The relay switchpack with 0-10V control also supports 20 A plug load control. The RFSR20 is powered by the 120/277/347 Vac circuit it is controlling and provides simple 1/2" knockout mounting. The relay switchpack with 0-10V control operates on a wireless mesh network based on IEEE 802.15.4 standards.

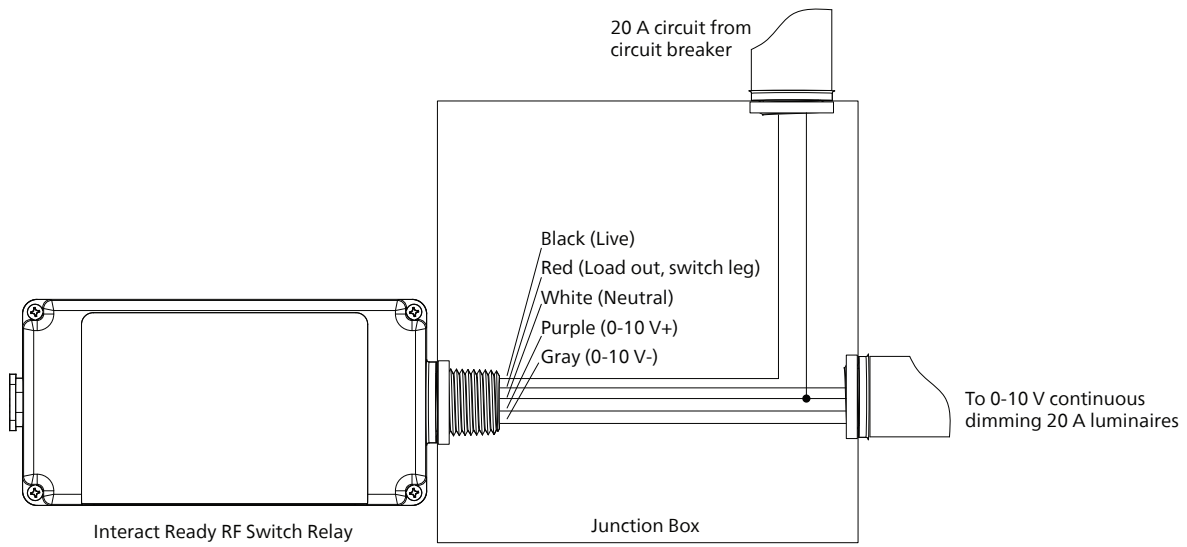
Dimensions



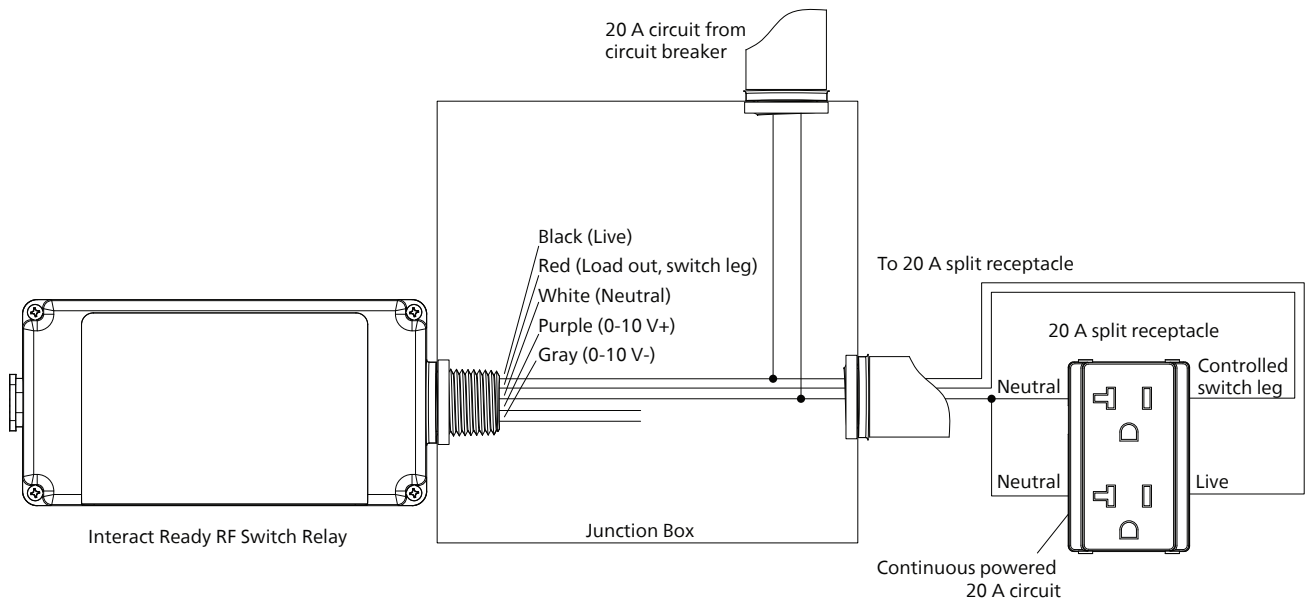
Features and benefits

- The built-in relay is used to control plug loads or luminaires that are not equipped with a transceiver.
- Designed to operate on mains input voltages 120/277/347 Vac.
- Provides simple 1/2" knockout mounting.
- The device is Interact ready and can be easily linked to a wireless standalone or connected lighting system.
- The device is easy to install and use. Additional information is available in the appropriate installation instructions.
- Designed with safety in mind: when communication is lost, the connected devices switch ON and the dimmer is set to a 70% light level.

Wiring diagram 0-10 V dimming luminaire



Wiring diagram split receptacle



Specifications

Electrical

Supply options

| | |
|-------------------|-------------------------------------|
| Input voltage | 120/277/347 Vac \pm 10%, 50/60 Hz |
| Power consumption | Max. 6.9 W |

Output

| | |
|---|---|
| General purpose | 120/277/347 Vac, 20 A |
| Electronic ballast (LED load) | 120/277/347 Vac, 16 A |
| Single class 2 0-10V dimming output (IEC 60929 Annex E) | sinks max. 0.12 A (max. 40 μ A leakage to line) |
| 0-10V output | up to 60 outputs with each a max. 2 mA load |

Wireless

| | |
|-------------------|---------------|
| MRadio frequentie | 2.4 GHz |
| Standard | IEEE 802.15.4 |
| Transmitter power | +10 dBm |

Range

| | |
|---------------|---|
| Line of sight | 46 m (150 ft) |
| Indoors | 15 m (50 ft) with two walls between the devices |

Physical

| | |
|------------------------------------|--|
| Dimensions (length, width, height) | 155.0 x 64.8 x 43.0 mm (6.10 x 2.55 x 1.69 in) |
| Weight | 223 g (0.492 lb) |
| Housing | Medium impact injection molded housing. ABS resin with 5VA flame rating. Plenum rated for external junction box mounting with Teflon coated leads. |
| Color | Matte white |
| Mounting | Mounts to the side of a 102 mm (4") square box via 13 mm (1/2") knockout |

Environment

| | |
|-------------------------|---------------------------|
| Temperature (operating) | 0 to 40 °C (32 to 104 °F) |
| Relative humidity | 10 to 90%, non-condensing |
| Temperature (storage) | 0 to 70 °C (32 to 158 °F) |

Compliances and approvals

| | |
|----------------|---------------------------------|
| Certifications | UL, FCC |
| Manufacturing | ISO 9001 |
| Requirements | ASHRAE Standard 90.1, IECC, CEC |



Packing Data

| Type | Dimensions | Qty/Box | Material | Weight (net) | Weight (gross) |
|--------|---|---------|-----------|---------------------|---------------------|
| RFSR20 | 155.0 x 64.8 x 43.0 mm (6.10 x 2.55 x 1.69 in) | 1 | Cardboard | 223 g (0.492 lb) | 261 g (0.576 lb) |

Ordering data

| Type | MOQ | Ordering number | UPC code level 1 | UPC code level 3 | Catalog code |
|--|-----|-----------------|------------------|------------------|--------------|
| RFSR20 Interact Ready RF Switch Relay | 1 | 9137 010 66813 | 046677584559 | 50046677584554 | RFSR20 |

© 2022 Signify Holding. All rights reserved. Specifications are subject to change without notice. No representation or warranty as to the accuracy or completeness of the information included herein is given and any liability for any action in reliance thereon is disclaimed. Philips and the Philips Shield Emblem are registered trademarks of Koninklijke Philips N.V. All other trademarks are owned by Signify Holding or their respective owners.

