

# LUMEC

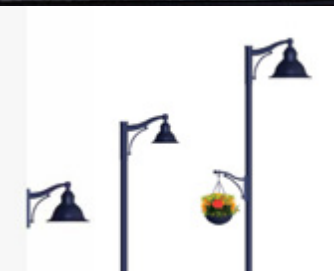
by  Signify

## Explore your mounting potential

Endless possibilities to complete your luminaire package

Outdoor

Poles & Brackets



# We are Lumec

---

## Explore your mounting potential

Lumec is a recognized lighting leader in high quality environmentally sustainable decorative outdoor solutions and roadway applications. We understand that light is an essential part of our lives and that it illuminates our environment. It provides safety and security; it lends atmosphere and style. We are committed to making high-quality, sustainable and dependable outdoor lighting products that live in harmony with their surroundings.





## Contents

A comprehensive line . . . . .	2
Why choose Lumec . . . . .	4
The Lumec difference . . . . .	6
Lumec Poles . . . . .	8
Lumec Brackets . . . . .	16
Accessories and options . . .	18
Finishes and colors . . . . .	21







# The most comprehensive pole and bracket line on the market

Ranging from traditional to modern, classic to bold, our large selection of poles, brackets, accessories and options will provide endless possibilities to complete your luminaire package. Each of our products are a complete solution, combining quality, functionality and aesthetics. Regardless of model or use, our wide range of poles and mounting arms share common benefits and features, whose specifications have been defined according criteria that are inherent to Lumec quality.



## Limitless possibilities

Lumec offers a wide variety of options for its luminaires, poles and brackets. If we calculate every option permutation, we easily reach over one million different luminaire possibilities. Whether it's a photoelectric cell, a loudspeaker outlet, banner arms, plant support, or any other customization, we have the options that you need to create the effect that you want.



# Why choose Lumec poles and brackets?

We don't simply manufacture poles and brackets, we design and build them in-house, to offer you a variety of styles and options, with high quality standards, and we have been doing this for decades, always leading the way.

## Manufacturing

### A constant commitment

We strive for the highest manufacturing quality standards because we know that it is precisely this level of quality that allows our poles and brackets to withstand the test of time, and to provide dependable lighting for the ages.

#### Capabilities and certifications at a glance:

- In-house structural engineers
- ASHTOO certified pole assemblies
- CSA Certified Poles
- UL certified Poles & Luminaires
- ISO 9001 & ISO 14001
- Canadian Welding Bureau

## Finishing

### A premium protection

Whatever project you design, lighting solutions should not be chosen solely on the basis of illumination characteristics. A positive first impression is crucial, which is why the finish quality is so important.

Lumec's continuous improvement program has led to the development of an outstanding thermosetting powder coating process for exterior applications. This process enhances resistance to ultraviolet rays, salt spray corrosion and extreme weather conditions.

Paint would be nothing without a proper surface treatment. Lumec's immersion process deposits a Zirconium-based nanotechnology layer that protects steel and aluminum products against corrosion and promotes paint adhesion.







# Experience the Lumec difference

Signify offers an undisputable web tool that enables you to create and visualize a 3D presentation of a complete luminaire assembly within a 2D or 3D environment. Leverage the knowledge and competencies of our organization to support your customers' projects.

## Signify 3D

### A powerful resource

The indisputable web tool that enables you to create and visualize a 3D representation of a complete luminaire assembly, including poles and brackets, within a 2D or 3D environment. Looking for a curved poled double head Capella in midnight blue? No problem! Select a pole, bracket, light source, luminaire, colors, materials, options, and you're done. Signify3D makes assembling, testing for functionality and compatibility, visualizing, getting an EPA rating and ordering Lumec products easier than ever before.



Visit Signify 3D at [3dconfigurator.signify.com](https://3dconfigurator.signify.com) this tool is a powerful resource to assemble, customize, and visualize poles & brackets.

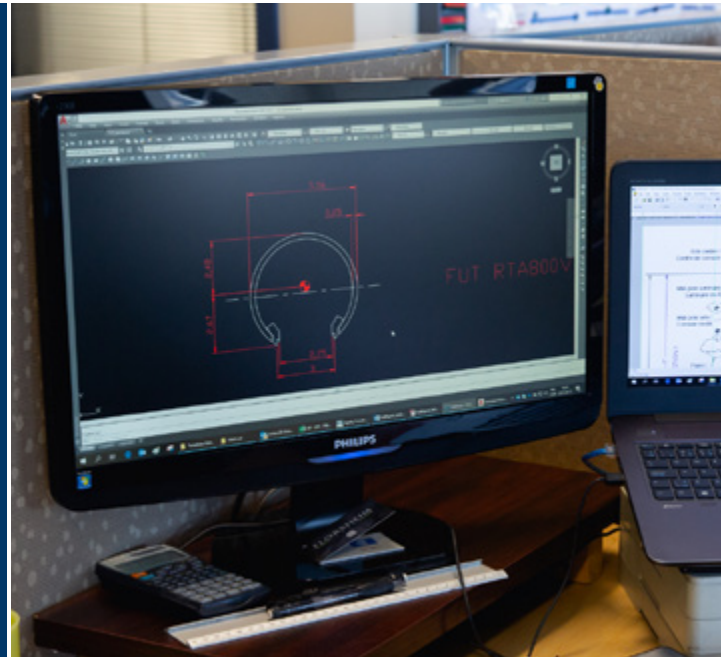


# Satisfy any customer with Engineered to Order services

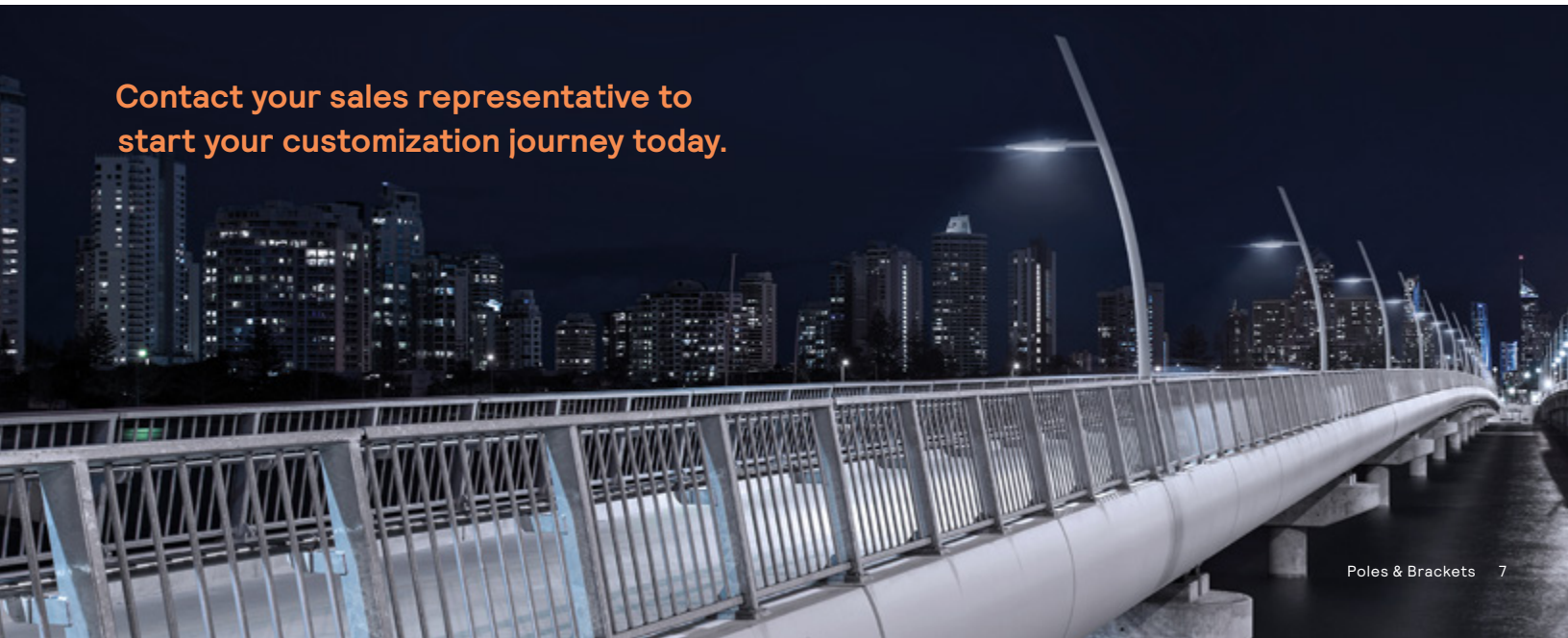
While we offer a broad range of configurable poles, brackets and accessories to meet your needs, nearly everything is customizable. Lumec works closely with you to design products and services around your specific needs, through our "Engineered To Order" Program. Whether you need a special finish, an entirely new pole, or even mix-matching between our different brands, we've got you covered.

You dream it.  
We create it.

- Special mounting options
- Special finishes
- Simple to complex modifications
- Aesthetic modifications
- Performance modifications



Contact your sales representative to  
start your customization journey today.



# Poles

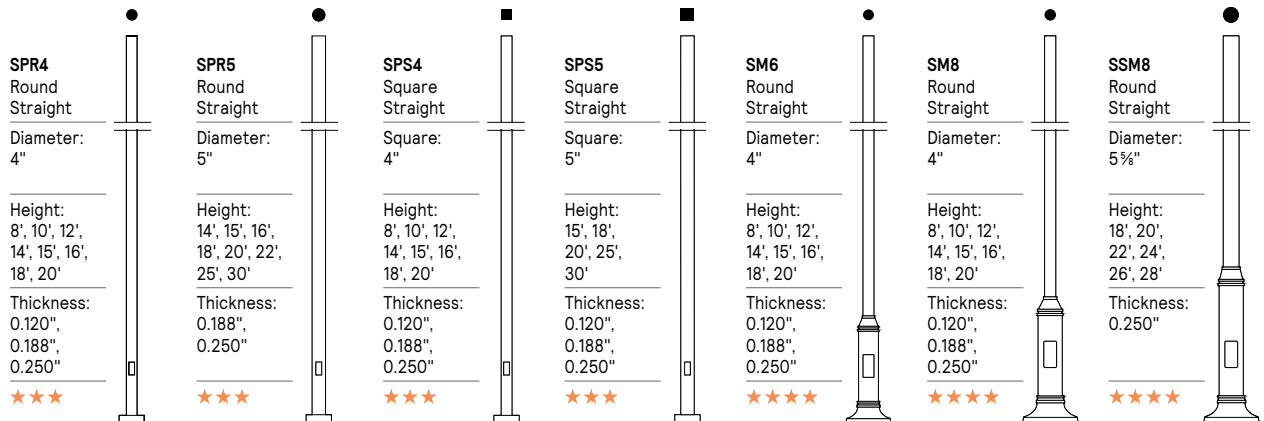


## A world of possibilities

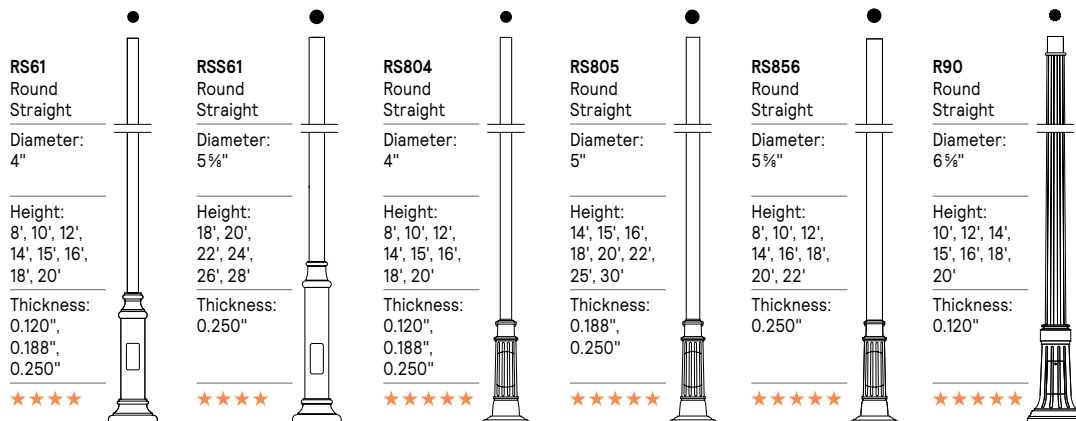
Each project has its own personality and each environment has its unique characteristics. That's why our line of poles is so vast and our quality so high. We know that with Lumec you will find the poles that fit your project perfectly, regardless of challenges and constraints.



# Steel poles

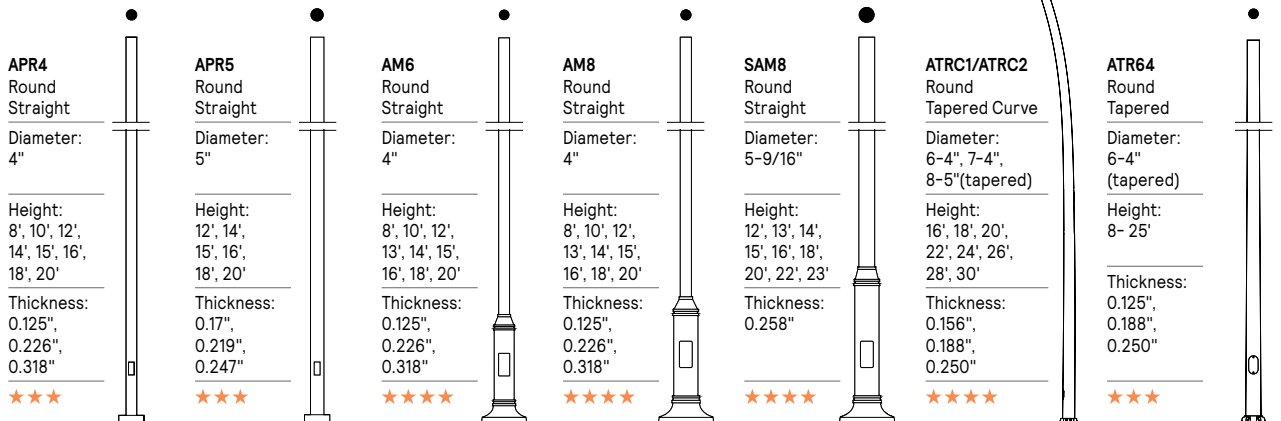


<b>Base</b>	10" (square)	12½" (square)	10" (square)	12½" (square)	16" (round)	18" (round)	18" (round)
<b>Bolt Circle</b>	8½"	12½"	8½"	12½"	10½"	12½"	12½"
<b>Opt. Base Covers</b>	LBC1/C2/C3, LBC4C	LBC1, B105, B50	—	—	—	—	—
<b>EPA @ 90 MPH</b>	6.43-28.85	11.41-30.00	15.10-30.00	18.85-30.00	8.64-30.00	9.10-30.00	25.36-30.00
<b>EPA @ 110 MPH</b>	3.50-19.40	7.25-30.00	9.65-30.00	12.47-30.00	5.14-30.00	5.49-30.00	17.19-30.00
<b>EPA @ 120 MPH</b>	2.56-16.27	5.96-25.56	7.90-30.00	10.38-30.00	4.03-30.00	4.32-30.00	14.44-30.00
<b>EPA @ 150 MPH</b>	1.36-10.44	3.48-16.47	4.56-30.00	6.47-30.00	2.37-20.32	2.56-22.17	9.13-21.20
<b>Options</b>	Buried Pole Loudspeaker Outlet Photoelectric Cell Duplex Receptacle GFI — Banner Arm Plant Support Mid-Pole Luminaire Optional Base Covers	Buried Pole Loudspeaker Outlet Photoelectric Cell Duplex Receptacle GFI Hinged Base Banner Arm Plant Support Mid-Pole Luminaire Optional Base Covers	Buried Pole Loudspeaker Outlet Photoelectric Cell Duplex Receptacle GFI — Banner Arm Plant Support Mid-Pole Luminaire Square Base Cover	Buried Pole Loudspeaker Outlet Photoelectric Cell Duplex Receptacle GFI — Banner Arm Plant Support Mid-Pole Luminaire Square Base Cover	Buried Pole Loudspeaker Outlet Photoelectric Cell Duplex Receptacle GFI — Shorting Cap Banner Arm Plant Support Mid-Pole Luminaire Bottleneck Base	Buried Pole Loudspeaker Outlet Photoelectric Cell Duplex Receptacle GFI — Banner Arm Plant Support Mid-Pole Luminaire Bottleneck Base	Buried Pole Loudspeaker Outlet Photoelectric Cell Duplex Receptacle GFI — Banner Arm Plant Support Mid-Pole Luminaire Bottleneck Base

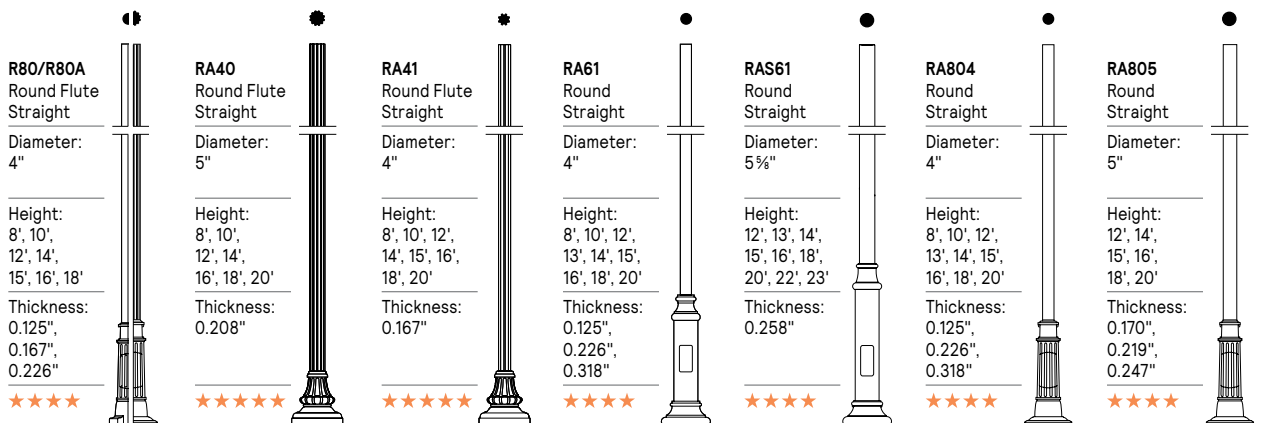


<b>Base</b>	18" (round)	18" (round)	16½" (round)	16½" (round)	16½" (round)	17½" (round)	
<b>Bolt Circle</b>	12½"	8½"	8½"	12½"	12½"	12½"	
<b>Opt. Base Covers</b>	—	12½"	—	—	—	—	
<b>EPA @ 90 MPH</b>	5.32-30.00	25.36-30.00	6.43-28.85	11.41-30.00	11.44-30.00	30.00	
<b>EPA @ 110 MPH</b>	2.94-20.59	17.19-30.00	3.50-19.40	7.25-30.00	7.39-30.00	25.20-30.00	
<b>EPA @ 120 MPH</b>	2.21-17.35	14.44-30.00	2.56-16.27	5.96-30.00	6.08-30.00	21.14-30.00	
<b>EPA @ 150 MPH</b>	1.22-11.20	9.13-21.20	1.36-10.44	3.48-30.00	3.60-25.12	13.66-22.40	
<b>Options</b>	Buried Pole Loudspeaker Outlet Photoelectric Cell Duplex Receptacle GFI — Banner Arm Plant Support Mid-Pole Luminaire Bottleneck Base	Buried Pole Loudspeaker Outlet Photoelectric Cell Duplex Receptacle GFI — Banner Arm Plant Support Mid-Pole Luminaire Bottleneck Base	Buried Pole Loudspeaker Outlet Photoelectric Cell Duplex Receptacle GFI — Banner Arm Plant Support Mid-Pole Luminaire Fluted Bottleneck Base	Buried Pole Loudspeaker Outlet Photoelectric Cell Duplex Receptacle GFI — Banner Arm Plant Support Mid-Pole Luminaire Fluted Bottleneck Base	Buried Pole Loudspeaker Outlet Photoelectric Cell Duplex Receptacle GFI — Banner Arm Plant Support Mid-Pole Luminaire Fluted Bottleneck Base	— Loudspeaker Outlet Photoelectric Cell Duplex Receptacle GFI — Banner Arm Plant Support Mid-Pole Luminaire Fluted Bottleneck Base	— Loudspeaker Outlet Photoelectric Cell Duplex Receptacle GFI — Banner Arm Plant Support Mid-Pole Luminaire Fluted Bottleneck Base

# Aluminum poles



<b>Base</b>	10" (square)	12 1/2" (square)	16" (round)	18" (round)	15" (round)	12", 14" (square)	11 1/4" (square)
<b>Bolt Circle</b>	8 1/2"	12 1/2"	10 1/2"	12 1/2"	12 1/2"	10 1/2", 12 1/2"	9 1/2"
<b>Opt. Base Covers</b>	LBC1/C2/C3, LBC4C	LBC1, B105, B50	—	—	—	—	—
<b>EPA @ 90 MPH</b>	3.27-18.64	5.86-21.72	5.67-27.82	5.32-30.00	14.78-30.00	N/A	N/A
<b>EPA @ 110 MPH</b>	1.36-12.35	3.41-14.46	3.21-18.85	2.94-20.59	9.71-28.46	N/A	N/A
<b>EPA @ 120 MPH</b>	1.19-10.28	2.72-12.13	2.45-15.86	2.21-17.35	8.07-23.89	N/A	N/A
<b>EPA @ 150 MPH</b>	1.16-6.53	1.45-7.66	1.37-10.21	1.22-11.20	4.94-15.14	N/A	N/A
<b>Options</b>	Buried Pole Loudspeaker Outlet Photoelectric Cell Duplex Receptacle GFI Hinged Base Banner Arm Plant Support Mid-Pole Luminaire Optional Base Covers	Buried Pole Loudspeaker Outlet Photoelectric Cell Duplex Receptacle GFI Hinged Base Banner Arm Plant Support Mid-Pole Luminaire Optional Base Covers	Buried Pole Loudspeaker Outlet Photoelectric Cell Duplex Receptacle GFI Hinged Base Banner Arm Plant Support Mid-Pole Luminaire Bottleneck Base	Buried Pole Loudspeaker Outlet Photoelectric Cell Duplex Receptacle GFI Banner Arm Plant Support Mid-Pole Luminaire Bottleneck Base	Buried Pole Loudspeaker Outlet Photoelectric Cell Duplex Receptacle GFI Banner Arm Plant Support Mid-Pole Luminaire Bottleneck Base	— — — — — — — — — — Mid-Pole Luminaire Base Bolt Covers	— Loudspeaker Outlet Photoelectric Cell Duplex Receptacle GFI — Banner Arm Plant Support Mid-Pole Luminaire Base Bolt Covers



<b>Base</b>	15 1/2" (round)	17" (round)	17" (round)	18" (round)	18" (round)	16 1/2" (round)	16 1/2" (round)
<b>Bolt Circle</b>	12 1/2"	10 1/2"	10 1/2"	12 1/2"	12 1/2"	8 1/2"	12 1/2"
<b>Opt. Base Covers</b>	TBC1, TBC2	—	—	TBC1, TBC2	—	—	—
<b>EPA @ 90 MPH</b>	3.82-29.69	8.75-30.00	4.52-16.98	6.70-30.00	14.78-30.00	3.27-18.64	5.86-21.72
<b>EPA @ 110 MPH</b>	1.80-20.17	5.02-22.78	2.13-11.25	3.71-20.59	9.71-28.46	1.36-12.35	3.41-14.46
<b>EPA @ 120 MPH</b>	1.22-16.98	3.85-19.15	1.39-9.36	2.80-17.35	8.07-23.89	1.19-10.28	2.72-12.13
<b>EPA @ 150 MPH</b>	1.16-10.94	1.65-12.11	1.33-5.81	1.53-11.20	4.94-15.14	1.16-6.53	1.45-7.66
<b>Options</b>	— Loudspeaker Outlet Photoelectric Cell Duplex Receptacle GFI Banner Arm Plant Support Mid-Pole Luminaire Optional Base Covers	— Loudspeaker Outlet Photoelectric Cell Duplex Receptacle GFI Banner Arm Plant Support Mid-Pole Luminaire Decorative Flute Base	— Loudspeaker Outlet Photoelectric Cell Duplex Receptacle GFI Banner Arm Plant Support Mid-Pole Luminaire Decorative Flute Base	Buried Pole Loudspeaker Outlet Photoelectric Cell Duplex Receptacle GFI Banner Arm Plant Support Mid-Pole Luminaire Bottleneck Base	Buried Pole Loudspeaker Outlet Photoelectric Cell Duplex Receptacle GFI Banner Arm Plant Support Mid-Pole Luminaire Bottleneck Base	Buried Pole Loudspeaker Outlet Photoelectric Cell Duplex Receptacle GFI Banner Arm Plant Support Mid-Pole Luminaire Fluted Bottleneck Base	Buried Pole Loudspeaker Outlet Photoelectric Cell Duplex Receptacle GFI Shorting Cap Banner Arm Plant Support Mid-Pole Luminaire Fluted Bottleneck Base

# Aluminum poles

ATR74 Round Tapered	ATR85 Round Tapered	AMT8 Round Tapered	P135A Round Flute Straight	TM6 Round Tapered	RTA906 Round Flute Tapered	RTA928 Round Flute Tapered	
Diameter: 7-4" (tapered)	Diameter: 8-5" (tapered)	Diameter: 6-4" (tapered)	Diameter: 5"	Diameter: 6-4" (tapered)	Diameter: 6", 7"	Diameter: 6-4", 7-4", 8-4" (tapered)	
Height: 20', 21', 22', 23', 24', 25'	Height: 25', 26', 27', 28', 29', 30', 31', 32', 33', 34'	Height: 8', 10', 12', 14', 16', 18', 20'	Height: 8', 10', 12', 14', 15', 16', 18', 20'	Height: 8', 10', 12', 14', 16', 18', 20'	Height: 10', 12', 14', 16', 18', 20'	Height: 12', 14', 16', 18', 20', 22', 24', 26', 28'	
Thickness: 0.156", 0.188"	Thickness: 0.156", 0.188", 0.250"	Thickness: 0.125", 0.250"	Thickness: 0.208"	Thickness: 0.125", 0.188", 0.250"	Thickness: 0.125", 0.156", 0.188", 0.250"	Thickness: 0.125", 0.156", 0.250"	
★★★	★★★	★★★★	★★★★	★★★★	★★★★★	★★★★★	
11¼" (square)	12" (square)	13" (square)	11½" (square)	16" (round)	17¼" (round)	23" (round)	Base
10½"	11½"	12½"	12½"	9½"	12½"	12½"	Bolt Circle
—	—	—	LBC1, B105, B50	—	—	—	Opt. Base Covers
9.65-18.30	8.87-25.65	9.97-30.00	7.40-27.56	7.23-30.00	14.11-30.00	12.49-30.00	EPA @ 90 MPH
5.84-12.03	5.49-17.21	6.31-30.00	4.03-18.40	4.35-25.98	9.01-30.00	7.34-30.00	EPA @ 110 MPH
4.77-10.06	4.38-14.40	5.20-30.00	2.97-15.40	3.50-21.93	7.37-30.00	5.67-25.24	EPA @ 120 MPH
2.74-6.25	2.21-8.87	3.11-24.24	1.02-9.61	1.98-14.11	4.20-30.00	2.45-15.95	EPA @ 150 MPH
—	—	—	—	—	—	—	Options
Loudspeaker Outlet Photoelectric Cell Duplex Receptacle GFI	Loudspeaker Outlet Photoelectric Cell Duplex Receptacle GFI	Loudspeaker Outlet Photoelectric Cell Duplex Receptacle GFI	Loudspeaker Outlet Photoelectric Cell Duplex Receptacle GFI	Loudspeaker Outlet Photoelectric Cell Duplex Receptacle GFI	Loudspeaker Outlet Photoelectric Cell Duplex Receptacle GFI	Loudspeaker Outlet Photoelectric Cell Duplex Receptacle GFI	
—	—	—	—	—	—	—	
Banner Arm Plant Support Mid-Pole Luminaire Base Bolt Covers	Banner Arm Plant Support Mid-Pole Luminaire Base Bolt Covers	Banner Arm Plant Support Mid-Pole Luminaire Base Bolt Covers	Banner Arm Plant Support Mid-Pole Luminaire Optional Base Covers	Banner Arm Plant Support Mid-Pole Luminaire Bottleneck Base	Banner Arm Plant Support Mid-Pole Luminaire Fluted Bottleneck Base	Banner Arm Plant Support Mid-Pole Luminaire Fluted Bottleneck Base	

RAF805 Round Flute Straight	RA856 Round Straight	RTA40 Round Flute Tapered	RTA61 Round Flute Tapered	RTA608 Round Flute Tapered	RTA500 Round Flute Tapered	RTA800 Round Tapered	RTAF800 Round Flute Tapered
Diameter: 5"	Diameter: 5½"	Diameter: 5½" (tapered)	Diameter: 5"	Diameter: 8"	Diameter: 6"	Diameter: 6-4" (tapered)	Diameter: 6-4" (tapered)
Height: 8', 10', 12', 14', 15', 16', 18', 20'	Height: 8', 10', 12', 14', 16', 18', 20', 22'	Height: 10', 11', 12', 13', 14'	Height: 10', 11', 12', 13', 14', 15'	Height: 22', 24', 26', 28'	Height: 12', 14', 16', 18'	Height: 8', 10', 12', 14', 16', 18', 20'	Height: 12', 14', 16', 18'
Thickness: 0.258"	Thickness: 0.258"	Thickness: 0.125", 0.188", 0.250"	Thickness: 0.125", 0.250"	Thickness: 0.188", 0.250"	Thickness: 0.125", 0.250"	Thickness: 0.125", 0.188", 0.250"	Thickness: 0.125", 0.250"
★★★★★	★★★★★	★★★★★	★★★★★	★★★★★	★★★★★	★★★★★	
16½" (round)	16½" (round)	17" (round)	16½" (round)	24" (round)	20" (round)	16½" (round)	16½" (round)
12½"	12½"	10½"	12½"	11½"	9½"	9½"	9½"
—	—	—	—	LBC1, B105, B50	—	—	—
7.40-27.56	11.44-30.00	10.33-30.00	11.14-30.00	14.61-30.00	9.59-30.00	7.95-30.00	9.77-30.00
4.03-18.40	7.39-30.00	6.43-22.60	6.99-27.99	8.31-20.88	5.49-24.27	4.56-26.88	5.55-24.26
2.97-15.40	6.08-30.00	5.18-18.97	5.69-23.57	6.34-17.04	4.20-20.20	3.62-22.63	4.29-20.20
1.02-9.61	3.60-25.12	2.89-11.96	3.24-15.02	2.60-9.67	1.90-12.43	1.99-14.48	1.98-12.47
—	Buried Pole	—	—	—	—	—	—
Loudspeaker Outlet Photoelectric Cell Duplex Receptacle GFI	Loudspeaker Outlet Photoelectric Cell Duplex Receptacle GFI	Loudspeaker Outlet Photoelectric Cell Duplex Receptacle GFI	Loudspeaker Outlet Photoelectric Cell Duplex Receptacle GFI	Loudspeaker Outlet Photoelectric Cell Duplex Receptacle GFI	Loudspeaker Outlet Photoelectric Cell Duplex Receptacle GFI	Loudspeaker Outlet Photoelectric Cell Duplex Receptacle GFI	Loudspeaker Outlet Photoelectric Cell Duplex Receptacle GFI
—	—	—	—	—	—	—	—
Banner Arm Plant Support Mid-Pole Luminaire Bottleneck Base	Banner Arm Plant Support Mid-Pole Luminaire Fluted Bottleneck Base	Banner Arm Plant Support Mid-Pole Luminaire Decorative Flute Base	Banner Arm Plant Support Mid-Pole Luminaire Fluted Bottleneck Base	Banner Arm Plant Support Mid-Pole Luminaire Decorative Flute Base	Banner Arm Plant Support Mid-Pole Luminaire Decorative Flute Base	Banner Arm Plant Support Mid-Pole Luminaire —	Banner Arm Plant Support Mid-Pole Luminaire Fluted Bottleneck Base

# Brackets



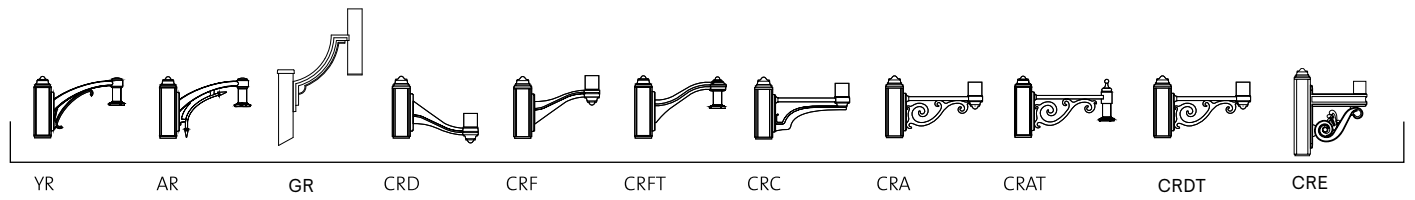
## So many choices

Whether traditional or contemporary, suspended or wall-mounted, short, mid, or long-reach, these mountings can be applied in very unique ways. Lumec brackets add a flair of originality to any project, are made of high-quality materials, and are built to stand the test of time.

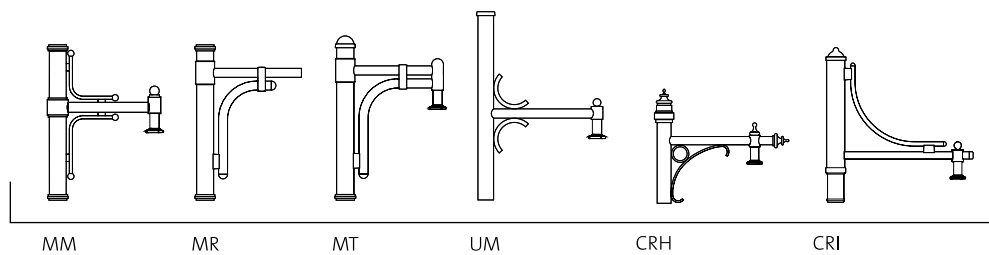
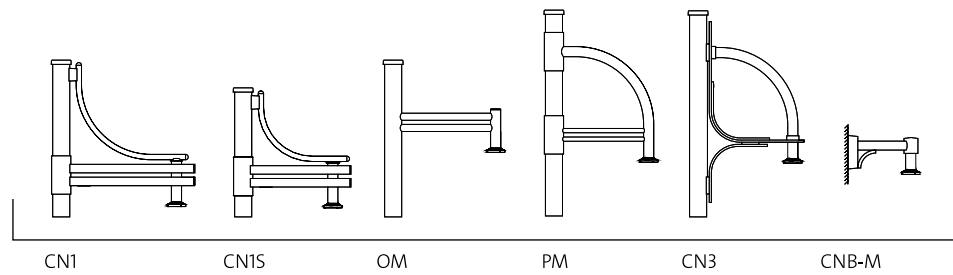
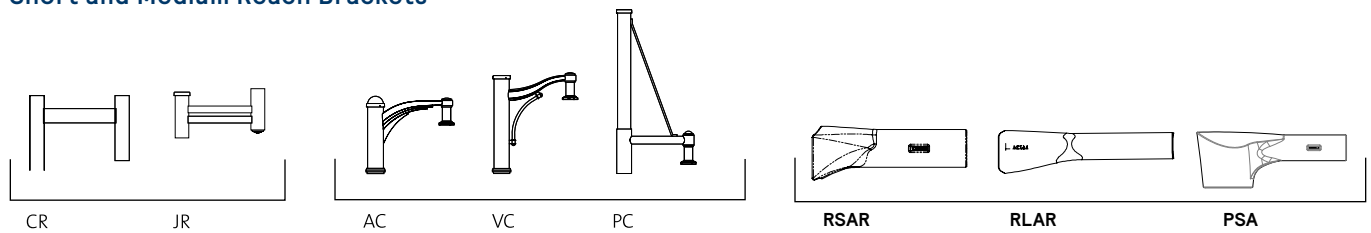


# Brackets

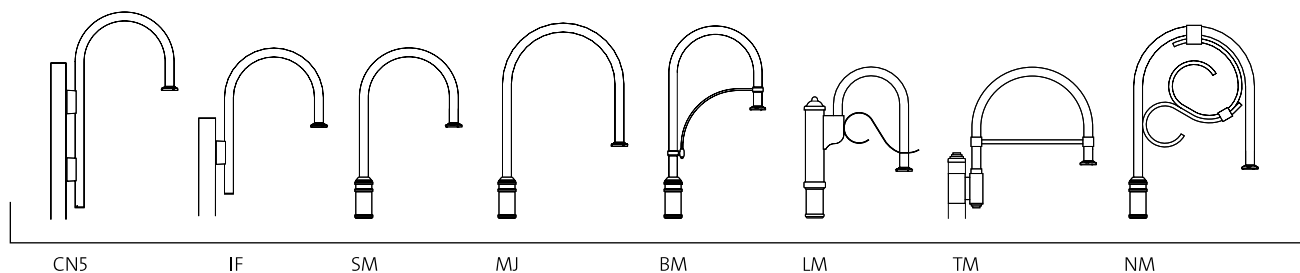
## Cast Brackets



## Short and Medium Reach Brackets

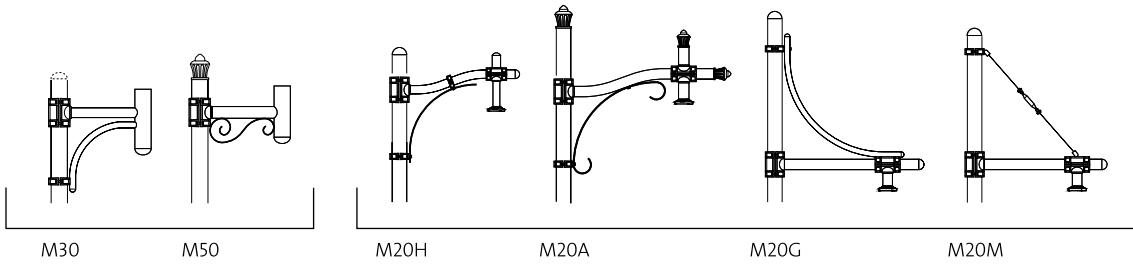


## Goose Neck Brackets

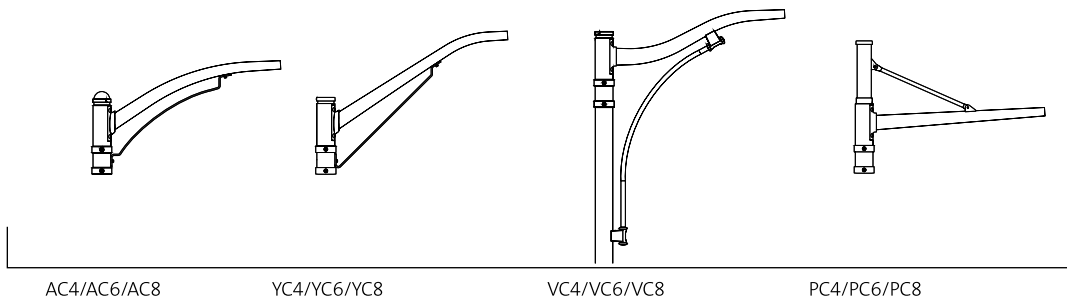
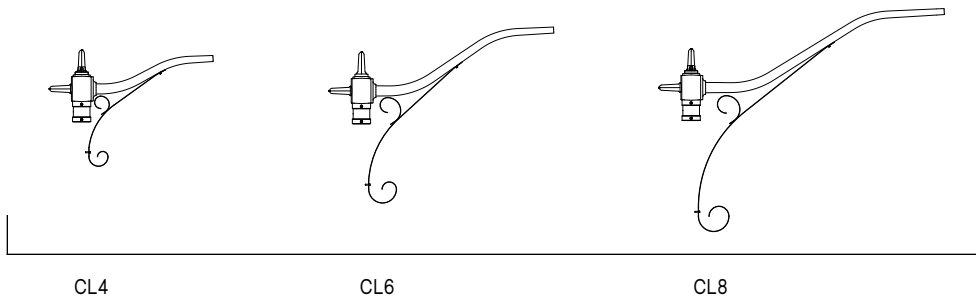
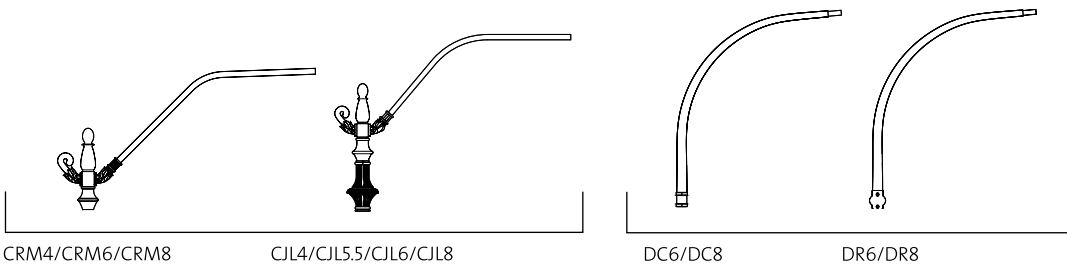


# Brackets

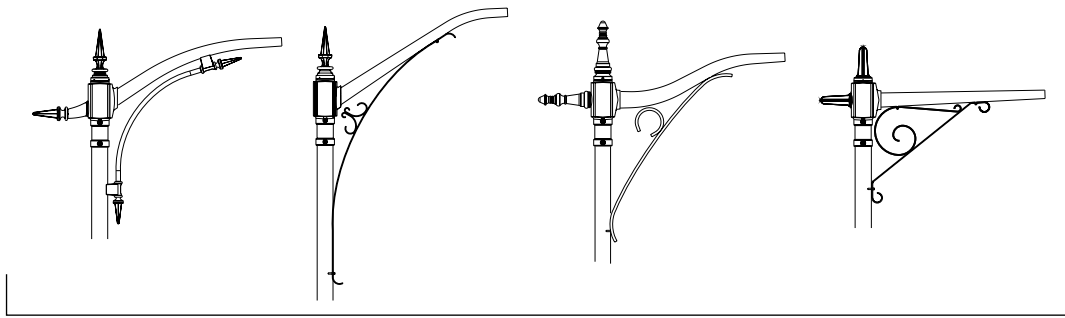
## Clamp-on Brackets



## Extended Reach Brackets



# Brackets



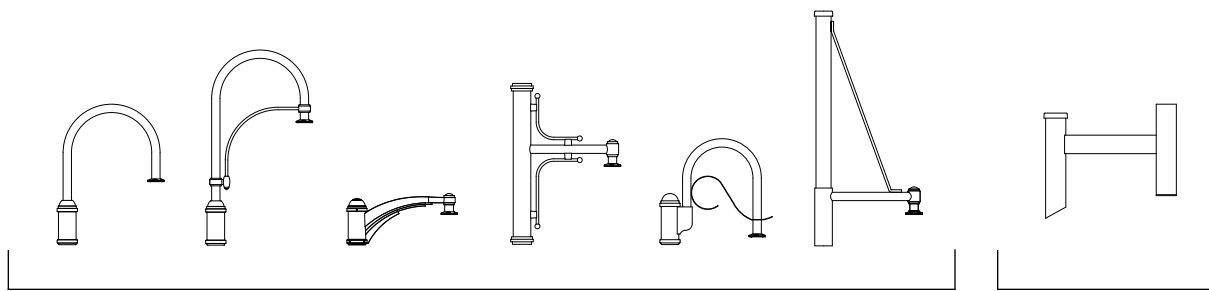
AR4/AR6/AR8

YR4/YR6/YR8

VR4/VR6/VR8

PR4/PR6/PR8

## Luminaire Companion Brackets



DBA

DBB

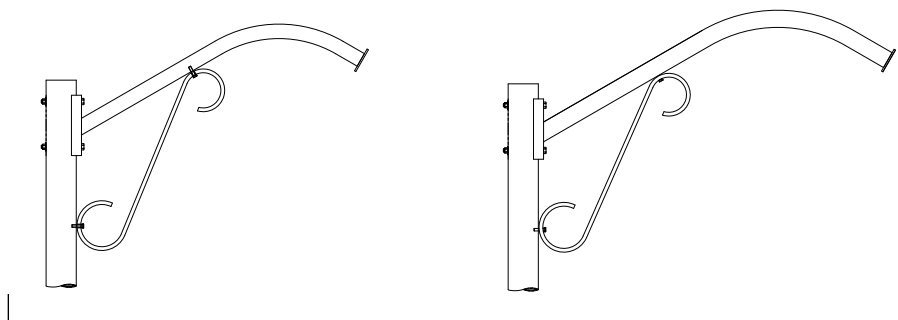
DBC

DBE

DBF

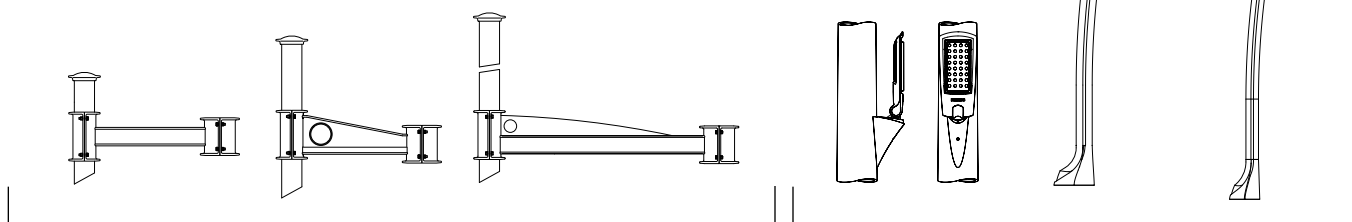
DBG

CS



S25AU5

S25AU6



SN

TN

UN

UBFL100

Only for luminaire  
ULFL100

UMB100

Only for luminaire  
ULM100

USB100

Only for luminaire  
ULS100

# Brackets matrix

For full compatibility of a complete luminaire, bracket, and pole specification refer to the [Outdoor 3D Configurator](#) available online.

Bracket Archetype and Luminaire Compatibility			Available On-Pole and Wall Mounting Configurations										
Bracket	Generic Luminaire Type or Luminaire Family	Bracket Style	1A	2 (180)	2A (90)	3 (120)	3A (Line)	3B (90)	4 (90)	5 (90)	F & 2F (Mid)	M (Wall)	MB (Wall) w/ Remote Ballast
AC	Pendants	Short Reach & Cast	●	●	●	●		●	●		●	●	
AC4	Pendants, Roadway	Extended Reach	●	●									
AC6	Pendants, Roadway	Extended Reach	●	●									
AC8	Pendants, Roadway	Extended Reach	●	●									
AR	Pendants	Cast	●	●	●			●	●		●	●	
AR4	Pendants, Roadway	Extended Reach	●	●									
AR6	Pendants, Roadway	Extended Reach	●	●									
AR8	Pendants, Roadway	Extended Reach	●	●									
BM	Pendants	Goose Neck	●	●	●							●	
CJL4	Pendants, Roadway	Extended Reach	●	●									
CJL5.5	Pendants, Roadway	Extended Reach	●	●									
CJL6	Pendants, Roadway	Extended Reach	●	●									
CJL8	Pendants, Roadway	Extended Reach	●	●									
CL4	Pendants, Roadway	Extended Reach	●	●									
CL6	Pendants, Roadway	Extended Reach	●	●									
CL8	Pendants, Roadway	Extended Reach	●	●									
CN1	Pendants	Medium Reach	●	●	●	●		●	●			●	
CN1S	Pendants	Medium Reach	●	●	●	●		●	●			●	●
CN3	Pendants	Medium Reach	●	●	●	●		●	●			●	
CN5	Pendants	Goose Neck	●	●	●	●		●	●			●	
CR	Post Top	Short Reach	●	●	●	●		●	●			●	●
CRA	Post Top	Cast	●	●	●	●	●	●	●	●	●	●	●
CRAT	Pendants	Cast	●	●	●			●	●		●	●	
CRC	Post Top	Cast	●	●	●	●	●	●	●	●	●	●	●
CRD	Post Top	Cast	●	●	●	●	●	●	●	●	●	●	●
CRDT	Pendants	Cast	●	●	●			●	●		●	●	
CRE	Post Top	Cast	●	●	●	●	●	●	●	●			●
CRF	Post Top	Cast	●	●	●	●	●	●	●	●	●	●	●
CRFT	Pendants	Cast	●	●	●			●	●		●	●	
CRH	Pendants	Medium Reach	●	●	●	●		●	●				●
CRI	Pendants	Medium Reach	●	●	●	●		●	●			●	
CRM4	Pendants, Roadway	Extended Reach	●	●									
CRM6	Pendants, Roadway	Extended Reach	●	●									
CRM8	Pendants, Roadway	Extended Reach	●	●									
CS	LP20 Post Top	Short Reach	●	●	●	●		●	●			●	●
DBA	Domus Pendant Small (DOS)	Goose Neck	●	●								●	
DBB	Domus Pendant Small (DOS)	Goose Neck	●	●								●	
DBC	Domus Pendant Small (DOS)	Cast	●	●								●	
DBE	Domus Pendant Small (DOS)	Medium Reach	●	●								●	
DBF	Domus Pendant Small (DOS)	Goose Neck	●	●								●	
DBG	Domus Pendant Small (DOS)	Medium Reach	●	●								●	
DC6	Pendants, Roadway	Extended Reach	●	●									
DC8	Pendants, Roadway	Extended Reach	●	●									
DR6	Pendants, Roadway	Extended Reach	●	●									
DR8	Pendants, Roadway	Extended Reach	●	●									
GR	Post Top	Short Reach	●	●		●						●	●
IF	Pendants	Goose Neck	●	●	●	●		●	●			●	
JR	Post Top	Short Reach	●	●	●	●		●	●			●	●
LM	Pendants	Goose Neck	●	●	●	●		●	●			●	
M20A	Pendants	Clamp-on	●	●								●	

● = Available

■ = Luminaire specific





# Brackets matrix

For full compatibility of a complete luminaire, bracket, and pole specification refer to the [Outdoor 3D Configurator](#) available online.

Bracket Archetype and Luminaire Compatibility			Available On-Pole and Wall Mounting Configurations										
Bracket	Generic Luminaire Type or Luminaire Family	Bracket Style	1A	2 (180)	2A (90)	3 (120)	3A (Line)	3B (90)	4 (90)	5 (90)	F & 2F (Mid)	M (Wall)	MB (Wall) w/ Remote Ballast
M20G	Pendants	Clamp-on	●	●								●	●
M20H	Pendants	Clamp-on	●	●								●	
M20M	Pendants	Clamp-on	●	●								●	●
M30	Post Top	Clamp-on	●	●								●	●
M50	Post Top	Clamp-on	●	●								●	●
MJ	Pendants	Goose Neck	●	●	●							●	
MM	Pendants	Medium Reach	●	●	●	●		●	●			●	
MR	Pendants, Roadway	Medium Reach	●	●	●	●		●	●			●	
MT	Pendants	Medium Reach	●	●	●	●		●	●			●	●
NM	Pendants	Goose Neck	●	●	●							●	
OM	Pendants	Medium Reach	●	●	●	●		●	●			●	●
PC	Pendants	Medium Reach	●	●	●	●		●	●		●	●	
PC4	Pendants, Roadway	Extended Reach	●	●									
PC6	Pendants, Roadway	Extended Reach	●	●									
PC8	Pendants, Roadway	Extended Reach	●	●									
PM	Pendants	Medium Reach	●	●	●	●		●	●			●	●
PR4	Pendants, Roadway	Extended Reach	●	●									
PR6	Pendants, Roadway	Extended Reach	●	●									
PR8	Pendants, Roadway	Extended Reach	●	●									
PSA2.375	Roadway	Roadway	●										
PSA3	Roadway	Roadway	●										
PSA4	Roadway	Roadway	●										
RLAR	Roadway	Roadway	●	●	●	●		●	●				
RSAR	Roadway	Roadway	●	●	●	●		●	●				
S25AU5	L40U-STM Pendant	Extended Reach	●	●									
S25AU6	L40U-STM Pendant	Extended Reach	●	●									
SAR	Capella Roadway (CPLS, CPLM)	Short Reach	●	●	●	●		●	●				
SM	Pendants	Goose Neck	●	●	●							●	
SN	Transit Pendant (TR20)	Clamp-on	●	●								●	
TM	Pendants	Goose Neck	●	●	●	●		●	●			●	●
TN	Transit Pendant (TR20)	Clamp-on	●	●								●	
UBFL100	SoleCity Mid-Pole (ULFL100)	Mid-Pole	●	●									
UBM100	SoleCity Medium (ULM100)	Extended Reach	●	●									
UBS100	SoleCity Small (ULS100)	Extended Reach	●	●									
UM	Pendants	Medium Reach	●	●	●	●		●	●			●	
UN	Transit Pendant (TR20)	Clamp-on	●	●									
VC	Pendants	Short Reach & Cast	●	●	●	●		●	●		●	●	
VC4	Pendants, Roadway	Extended Reach	●	●									
VC6	Pendants, Roadway	Extended Reach	●	●									
VC8	Pendants, Roadway	Extended Reach	●	●									
VR4	Pendants, Roadway	Extended Reach	●	●									
VR6	Pendants, Roadway	Extended Reach	●	●									
VR8	Pendants, Roadway	Extended Reach	●	●									
YC4	Pendants, Roadway	Extended Reach	●	●									
YC6	Pendants, Roadway	Extended Reach	●	●									
YC8	Pendants, Roadway	Extended Reach	●	●									
YR	Pendants	Cast	●	●	●			●	●		●	●	
YR4	Pendants, Roadway	Extended Reach	●	●									
YR6	Pendants, Roadway	Extended Reach	●	●									
YR8	Pendants, Roadway	Extended Reach	●	●									

● = Available

■ = Luminaire specific



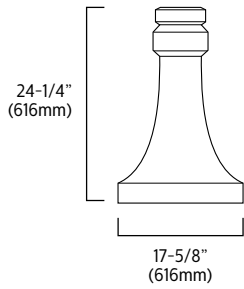


# Options

## A variety of options

Lumec offers a variety of options to accompany your poles. Whether you need plant support, photocell, or banner arm – Lumec has a solution to customize your city.

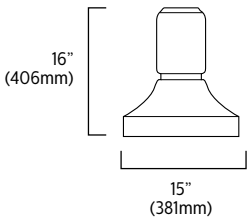
# Optional Base Covers



17-5/8"  
(616mm)

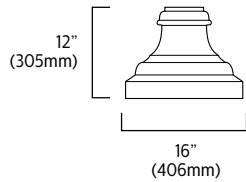
**LBC1**

Optional Base Covers shown here are compatible with the following poles:  
APR4, APR5, P135A, SPR4, SPR5



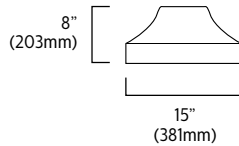
15"  
(381mm)

**LBC2**



16"  
(406mm)

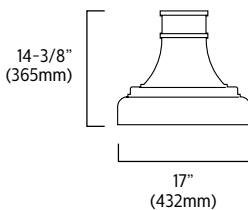
**LBC4C**



15"  
(381mm)

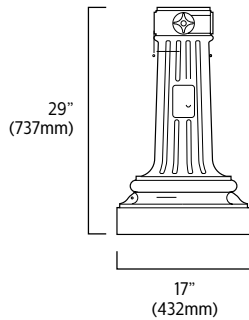
**LBC4**

Optional Base Covers shown here are compatible with the following poles:  
APR4, SPR4



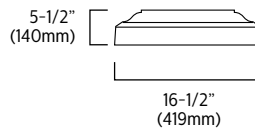
17"  
(432mm)

**B105**



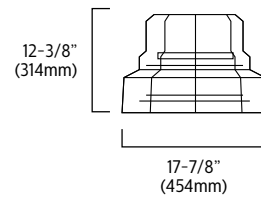
17"  
(432mm)

**B50**



16-1/2"  
(419mm)

**TBC1**



17-7/8"  
(454mm)

**TBC2**

Optional Base Covers shown here are compatible with the following poles:  
APR5, P135A, SPR5

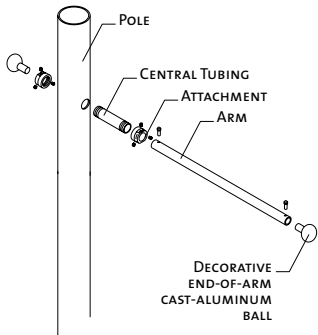
Optional Base Covers shown here are compatible with the following poles:  
R80, R80A



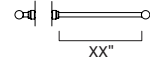
# Pole Accessories and Banner Arms

## BAS / BAD > BANNER ARMS

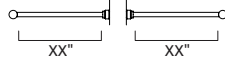
> shown here on a straight round pole



### BASXX > Single banner arm

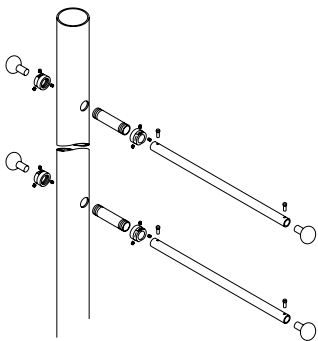


### BADXX > Double banner arm

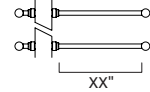


## BAS(2) / BAD(2) > BANNER ARMS

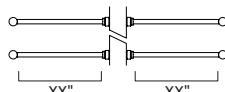
> shown here on a straight round pole



### BAS(2)XX > Single banner arm

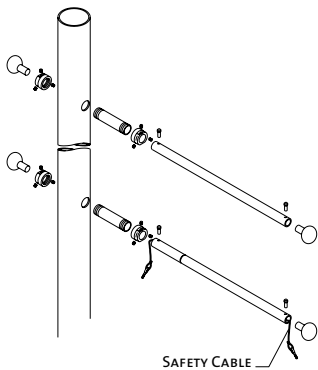


### BAD(2)XX > Double banner arm

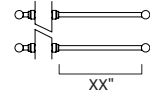


## BABS(2) / BABD(2) > BREAK-AWAY BANNER ARM

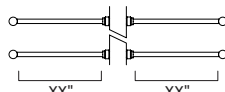
> shown here on a straight round pole



### BABS(2)XX > Single banner arm

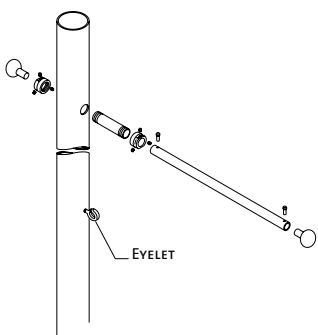


### BABD(2)XX > Double banner arm

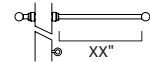


## BAE > BANNER ARM WITH EYELET

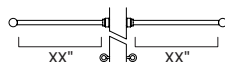
> shown here on a straight round pole



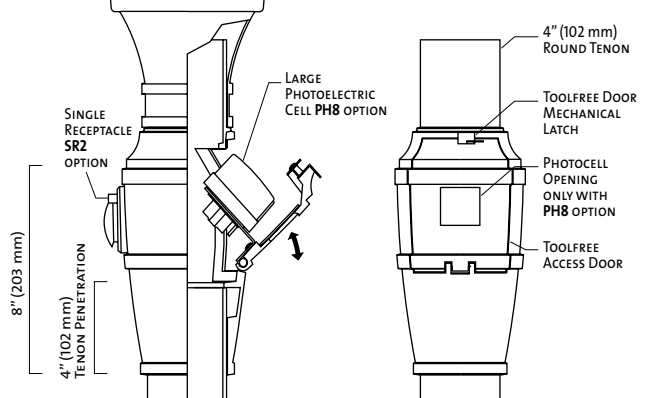
### BAEXX > Single banner arm



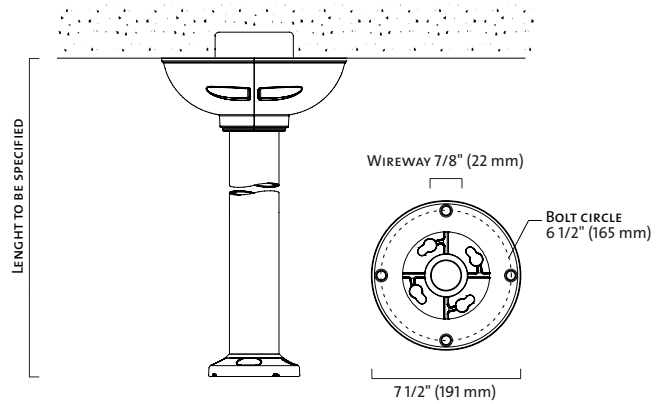
### BAEXX > Double banner arm



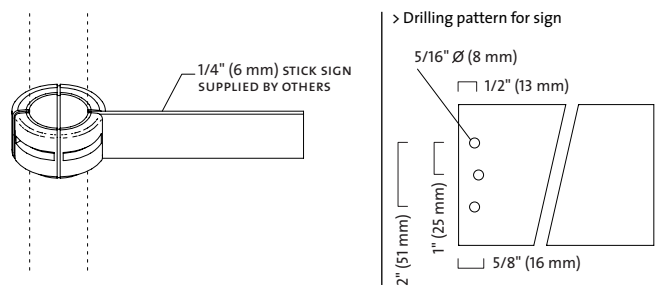
## SFPH > UTILITIES FITTER



## SPX > OUTDOOR CEILING LUMINAIRE SUPPORT

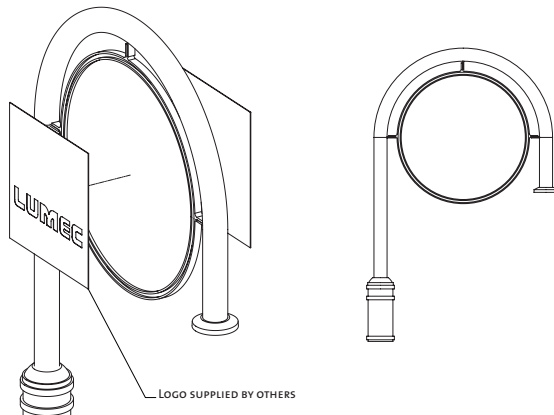


## SA1 > SIGN ADAPTOR



## MJ-LG > MEDAILLON TO ACCEPT LOGO

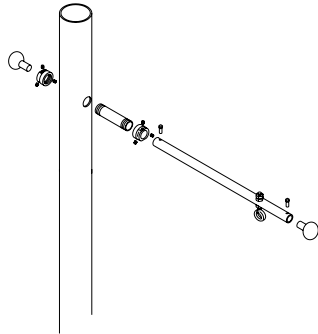
EPA: 6.4 sq.ft. Weight: 21.0 lbs. (9.5 kg)



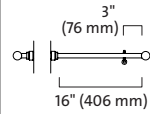
# Plant Supports

## PSS / PSD > PLANT SUPPORT

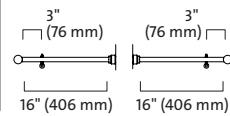
> shown here on a straight round pole



### PSS > Single plant support



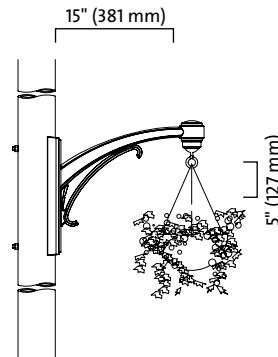
### PSD > Double plant support



> Maximum weight of 100 lbs (45.4 kg) on each side.

## PSYRS / PSYRD > PLANT SUPPORT

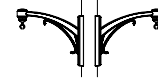
EPA: 0.5 sq.ft. Weight: 7.6 lbs. (3.5 kg)



### PSYRS > Single plant support



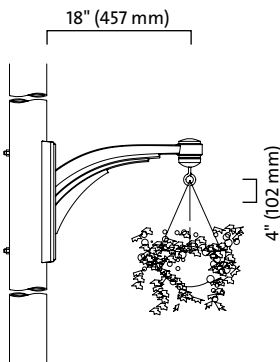
### PSYRD > Double plant support



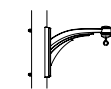
> Maximum weight of 100 lbs (45.4 kg) on each side.

## PSACS / PSACD > PLANT SUPPORT

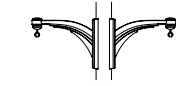
EPA: 0.6 sq.ft. Weight: 8.0 lbs. (3.6 kg)



### PSACS > Single plant support



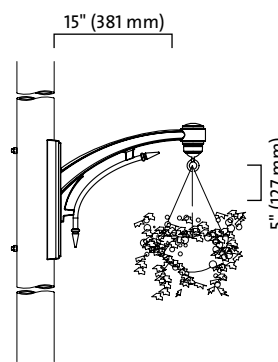
### PSACD > Double plant support



> Maximum weight of 100 lbs (45.4 kg) on each side.

## PSARS / PSARD > PLANT SUPPORT

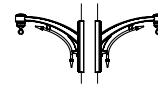
EPA: 0.5 sq.ft. Weight: 8.0 lbs. (3.6 kg)



### PSARS > Single plant support



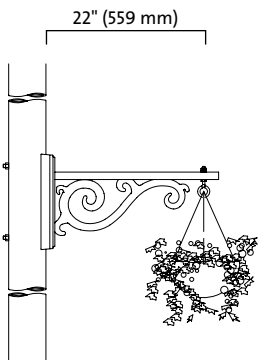
### PSARD > Double plant support



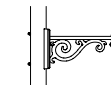
> Maximum weight of 100 lbs (45.4 kg) on each side.

## PSCRAS / PSCRAD > PLANT SUPPORT

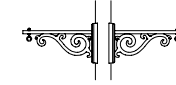
EPA: 0.5 sq.ft. Weight: 8.0 lbs. (3.6 kg)



### PSCRAS > Single plant support



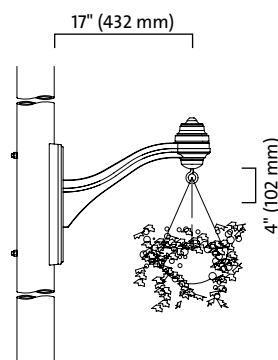
### PSCRAD > Double plant support



> Maximum weight of 100 lbs (45.4 kg) on each side.

## PSCRFS / PSCRFD > PLANT SUPPORT

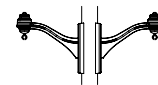
EPA: 0.6 sq.ft. Weight: 11 lbs. (5.0 kg)



### PSCRFS > Single plant support



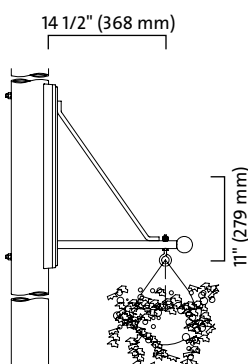
### PSCRFD > Double plant support



> Maximum weight of 100 lbs (45.4 kg) on each side.

## PSPCS / PSPCD > PLANT SUPPORT

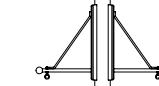
EPA: 0.4 sq.ft. Weight: 7.5 lbs. (3.4 kg)



### PSPCS > Single plant support



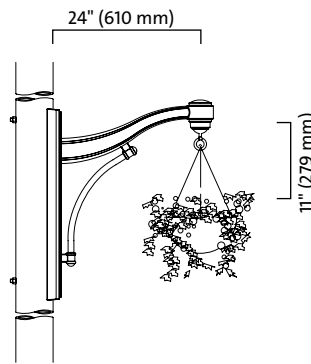
### PSPCD > Double plant support



> Maximum weight of 100 lbs (45.4 kg) on each side.

## PSVCS / PSVCD > PLANT SUPPORT

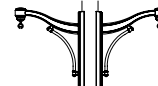
EPA: 0.6 sq.ft. Weight: 9.6 lbs. (4.4 kg)



### PSVCS > Single plant support



### PSVCD > Double plant support



> Maximum weight of 100 lbs (45.4 kg) on each side.



## Lumital surface treatment

### The preparation of aluminum and steel surfaces requires a 7-step treatment process.

No matter which project you design, lighting fixtures should not be chosen solely on the basis of their illumination characteristics. A positive first impression is crucial, which is why the quality of the finish is so important. Lumec's ongoing product improvement program has led to the development of a complete surface finish system for exterior applications: the Lumital process.

The Lumital finish consists of a specially formulated thermosetting polyester resin-based powder coating that integrates hardening agents, pigments and modifying agents. The finish can be smooth, textured, Sandtex or metallic. The finish is applied to a well-prepared surface, utilizing our state-of-the-art surface treatment and finishing system. Our products meet both the ASTM B117 and ASTM D2247-68 standards.

### The Lumital finish has enhanced resistance to ultraviolet rays, salt spray corrosion and extreme weather conditions.

- 1. Alkaline cleaner:** Each part is submerged in an alkaline solution to rid surfaces (inside and out) of grease and impurities.
- 2. Clear water rinse:** After a hot wash cycle, the parts are submerged and rinsed to eliminate any remaining trace of the cleaner.
- 3. Sulfuric Acid:** The parts are submerged in a sulfuric acid solution for etching. This serves two purposes; it eliminates rust (inside & out) and provides surfaces with the required coarseness for adhesion of the zirconium treatment to the polyester powder coat.
- 4. Clear water rinse:** After the etching cycle, the parts are submerged and rinsed to eliminate any remaining trace of citric acid.
- 5. Zirconium solution:** The parts are pre-treated and sealed in a zirconium solution. The applied chemicals react with the paint film, creating a continuous barrier between paint and the metal substrate, thus providing superior corrosion-protection and adhesive. The self-healing feature of this layer will prevent corrosion, should the surface finish be damaged.
- 6. Clear water rinse:** After the pre-treatment, the parts are submerged and rinsed.
- 7. Electrostatic finish:** A polyester powder coat is applied electrostatically. The powder finish includes thermosetting polyester resin, which provides a highly durable finish that is resistant to UV rays and corrosion in accordance with the ASTM-B117 and ASTM-D2247-68 standards.

**Note:** A rigorous analysis is performed daily on each chemical to ensure optimal performance of the pre-treatment process. The immersion treatment allows us to achieve excellent performance on external and internal surfaces as well, giving a protection to the inside of the poles, even if inside painting is not required.

### Lumec poles & brackets warranty information\*

Aluminum	Steel	Special Conditions
5 years	3 years	<b>Custom finishes:</b> 1 year warranty (unless noted) <b>Anodized finishes:</b> Are not warranted with regard to finish consistency and color uniformity due to the inherent nature of the anodizing process. <b>Buy American:</b> For Poles & Brackets coded with the "BAC" suffix, consult factory for warranty details.

\* Poles & Brackets not manufactured by Signify will reflect the warranty of the original manufacturer (typically 1 year). Consult with factory on specifics and for products intended to be installed in coastal conditions (within 5km/3mi from seashore).



# Our quality finishing techniques provide premium protection for your poles and brackets

## Available in Textured and Smooth finishes



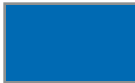
**WHTX**  
White



**GY3TX**  
Medium Grey



**BKTX**  
Black



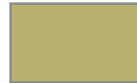
**BE8TX**  
Royal Blue



**BE6TX**  
Ocean Blue



**BE2TX**  
Midnight Blue



**BG2TX**  
Sandstone



**RD4TX**  
Scarlet



**RD2TX**  
Burgundy



**GNTX**  
Green



**GN4TX**  
Blue Green



**GN6TX**  
Forest Green

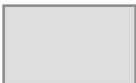


**GN8TX**  
Dark Forest Green



**BRTX**  
Bronze

## Textured only

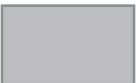


**TS**  
Hammertone Silver



**TG**  
Hammertone Gold

## Smooth only



**NP**  
Natural Aluminum

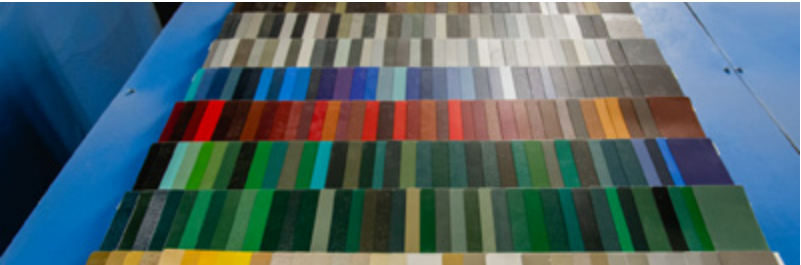
### Colors and finishes to suit your every need

These colors are available in smooth finishes (to order remove TX from code). Due to the porous nature of castings, a smooth finish may present minor imperfections. Textured finishes conceal pores and provide a more uniform finish.

### Special colors

- SCL** Special Color (liquid)
- SCP** Special Color (powder)

It is now possible to order smaller quantities of powder paint for a premium. Your representative can advise you if a powder coat paint can be developed for your project.



## Custom colors

We support custom color options to the ultimate in color matching opportunities with your site lighting needs.

## Learn more...

Contact your Signify Sales Representative today for a product demo. Visit us at [www.lumec.com](http://www.lumec.com) to learn more about what our poles have to offer. For more on Signify warranties please visit us at [www.signify.com/warranties](http://www.signify.com/warranties)



© 2023 Signify Holding. All rights reserved. The information provided herein is subject to change, without notice. Signify does not give any representation or warranty as to the accuracy or completeness of the information included herein and shall not be liable for any action in reliance thereon. The information presented in this document is not intended as any commercial offer and does not form part of any quotation or contract, unless otherwise agreed by Signify.

Signify North America Corporation  
400 Crossing Blvd, Suite 600  
Bridgewater, NJ 08807  
Telephone: 800-555-0050

Signify Canada Ltd.  
281 Hillmount Road,  
Markham, ON, Canada L6C 2S3  
Telephone 800-668-9008

All trademarks are owned by Signify Holding or their respective owners.