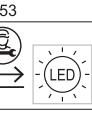
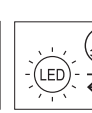
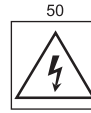
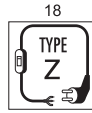
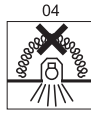
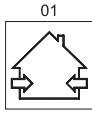
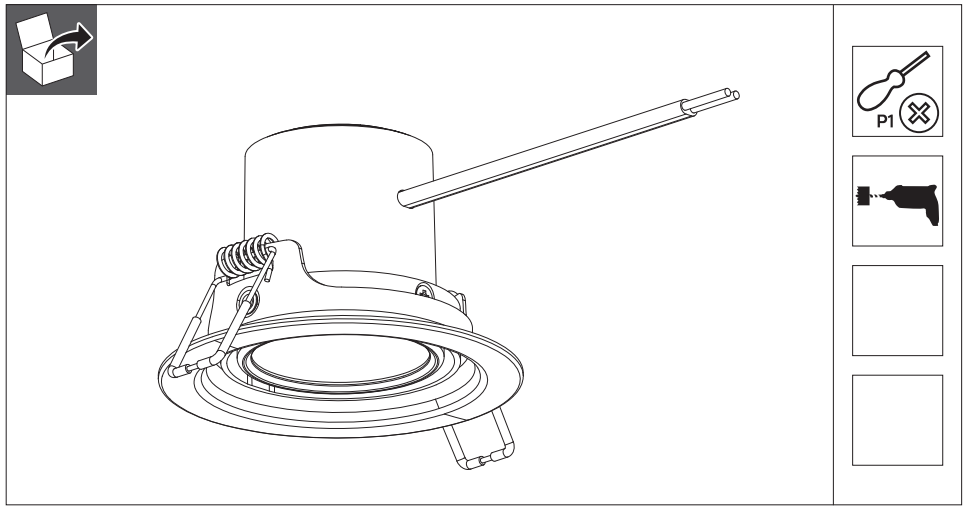


# MAZDA

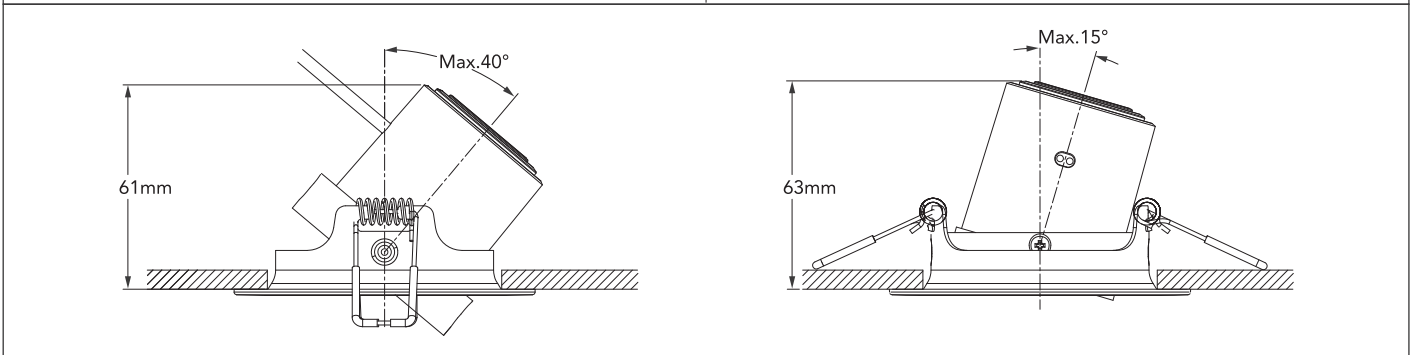
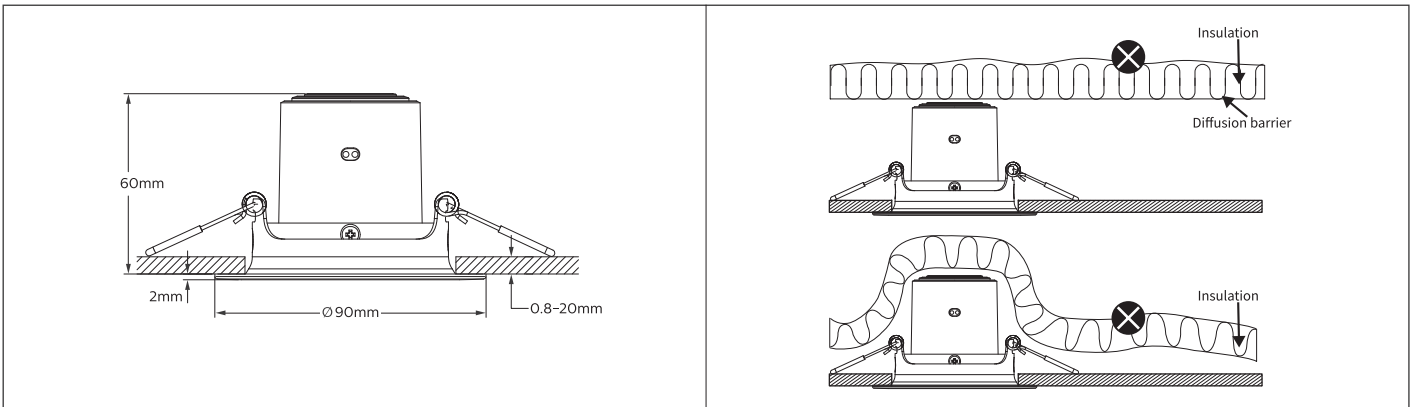
## User Manual

SL252

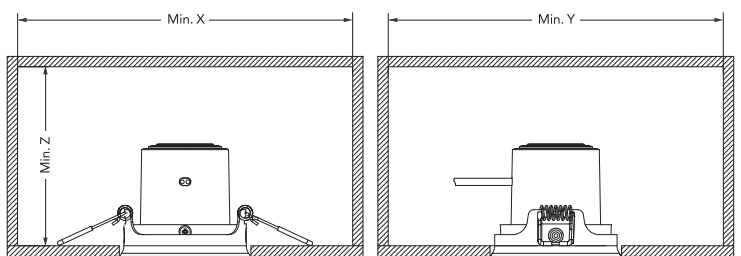


Model	Product Description	Power(W)	CRI(Ra)	CCT(K)	Total Lumen (lm)	Useful lumen (lm)	Energy efficiency class of light source	Beam angle	Dimension AxB,C(mm)	Cut-Out D(mm)	Weight (kg)
9290022224	MZD SL252 EC RD 070 3W 27K W HV 06	3	80	2700	190	180	F	30°	φ90*62	φ70-80	0.105
9290022225	MZD SL252 EC RD 070 3W 40K W HV 06	3	80	4000	200	190	F	30°	φ90*62	φ70-80	0.105
9290022226	MZD SL252 EC RD 070 5W 27K W HV 06	5	80	2700	290	275	F	30°	φ90*62	φ70-80	0.114
9290022227	MZD SL252 EC RD 070 5W 40K W HV 06	5	80	4000	300	285	F	30°	φ90*62	φ70-80	0.114

### Dimensions

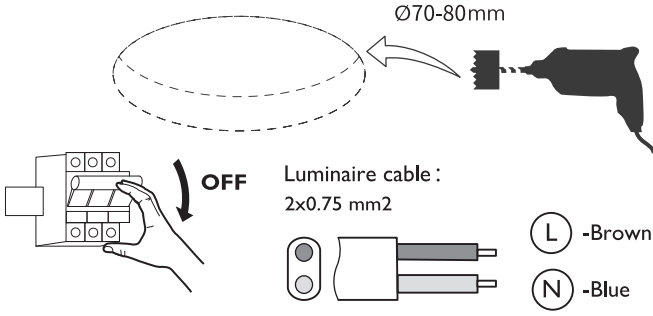


Model name	Min.X(mm)	Min.Y(mm)	Min.Z(mm)
9290022224	180	180	115
9290022225	180	180	115
9290022226	180	180	115
9290022227	180	180	115



# Installation

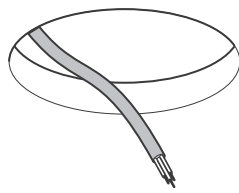
**1**



Ø70-80mm

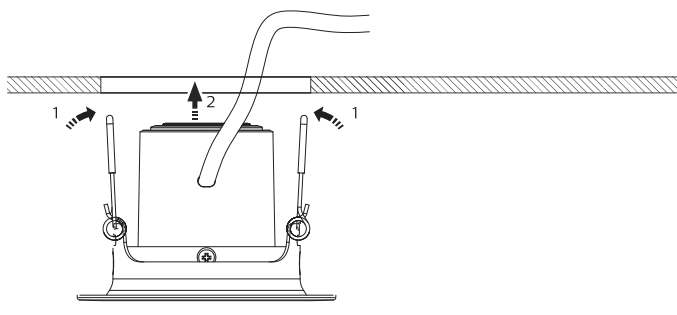
Luminaire cable :  
2x0.75 mm<sup>2</sup>

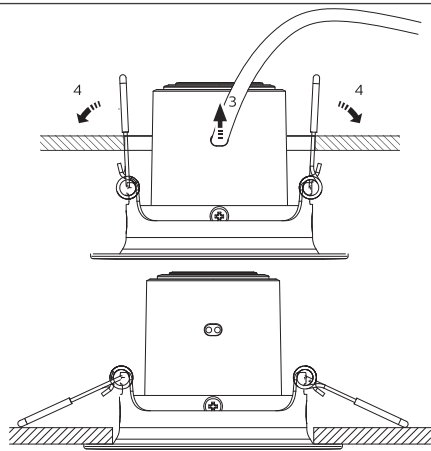
L -Brown  
N -Blue



Connect the luminaire to the power supply cable with a terminal box (not provided by Signify).

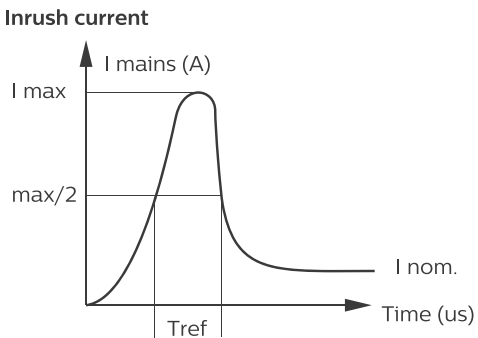
**2**






## Inrush current

**Inrush current**



	9290022224 9290022225	9290022226 9290022227
Electrical characteristic		
I <sub>max</sub> (A)	2.6	3.2
T <sub>ref</sub> (μs)	150	180
MCB	Luminaires Max.(pcs)	
Type B-10A	228	185
Type B-16A	367	298
Type C-10A	382	310
Type C-16A	613	498



**ATTENTION**  
OBSERVE PRECAUTIONS  
FOR HANDLING  
ELECTROSTATIC  
SENSITIVE  
DEVICES

- 01 Please read this manual before you start to install the luminaire.
- 02 The luminaire shall be installed by a qualified electrician and wired in accordance with the latest IEE electrical regulations of the national requirements.
- 03 Switch OFF the power supply before the installation or maintenance to avoid electrical shock.
- 04 The luminaire must not be used or stored in corrosive environment where hazardous materials such as Sulphur, Chlorine, Phthalates, etc., are present.
- 05 Terminal block not included. Installation must be performed by a qualified person.

**ATTENTION:**  
Please find in B manual for all the explanations with numeric reference to the icons respectively in front of these safety instructions.