

The Philips logo is displayed in a bold, blue, sans-serif font. It is positioned in the top left corner of the page, set against a white background that is part of a larger green and white graphic element.

KeyLine Light Line

SM350C



# Philips KeyLine Light Line

Series SM350C

High-performance, versatile and connected  
lighting solutions for professionals

# Philips KeyLine

Create flexible lines of light with Keyline

KeyLine is a light line range with a minimalistic slim design. High lumen output versions are included, and the full range meets UGR19. The KeyLine family is not only suitable for line applications but can also be used as stand-alone suspended or surface mounted luminaires.

Flexibility in design is offered through variation in length, colours, and light outputs. Besides straight lines, L-corners are also standard parts of the range.

With its high efficacy of up to 140 lm/W, the ability to control and connect, plus value for money pricing, KeyLine ensures a superb total cost of ownership.



## Features



Comfortable, low glare: UGR<19 for the full range. Suitable for office applications.



Rated Life of more than 50,000 hours (L80) with 5 years warranty.



High lumen output of up to 4000lm for 1.2m version. Excellent total cost of ownership.



System efficacy of up to 135lm/W for 4000lm options.



Available in different lengths, colours, light outputs as standard. Wide range of options available.



Engineered To Order (ETO) available. Possibilities for customisation.

**Low glare  
(UGR19)**

**50,000  
hours (L80)  
5 year  
warranty**

**Excellent  
total cost of  
ownership  
(TCO)**

**Wide  
range**

**interact  
ready.**

## Applications



Offices and reception areas



Education facilities

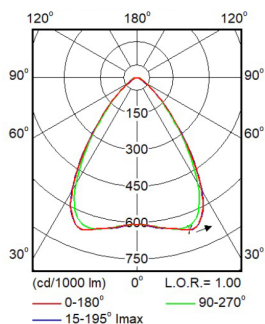


Healthcare

# Technical specifications

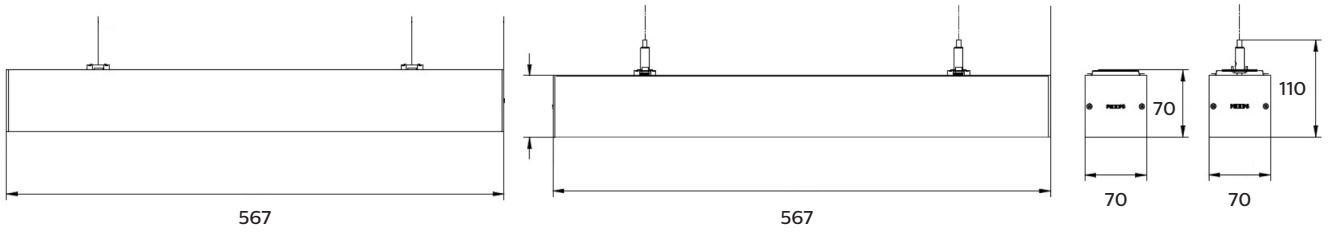
<b>Model</b>	KeyLine – SM350C																		
<b>Type</b>	9S		14S		20S		18S		27S		40S		23S		34S		50S		
<b>Length</b>	600mm						1,200mm						1,500mm						
<b>CCT (K)</b>	4000	3000	4000	3000	4000	3000	4000	3000	4000	3000	4000	3000	4000	3000	4000	3000	4000	3000	
<b>Lumen output (lm)</b>	900	860	1400	1300	2000	1900	1800	1700	2700	2600	4000	3800	2300	2200	3400	3200	5000	4700	
<b>Power (W)</b>	7.1		10.4		15.6		13.6		20		30		17.6		25		37.5		
<b>System efficacy (lm/W)</b>	126.8	121.1	134.6	125.0	128.2	121.8	132.4	125.0	135.0	130.0	133.3	126.7	130.7	125.0	136.0	128.0	133.3	125.3	
<b>CRI</b>	> 80																		
<b>Optics</b>	Structured polycarbonate cover with lenses (UGR<19)																		
<b>SDCM</b>	< 3																		
<b>IP Rating / IK Rating</b>	IP20 / IK02																		
<b>Operating temperature</b>	+10 to +40°C																		
<b>Lifetime</b>	L80 50,000 Hrs																		
<b>Input voltage</b>	220-240V, 50/60Hz																		
<b>Power factor</b>	> 0.9																		
<b>Electrical class</b>	Class I																		
<b>Driver</b>	Fixed Output (PSU), DALI Dimmable (PSD), Interact Wireless (WIA)																		
<b>Mounting type</b>	Suspended or Surface Mounted																		
<b>Housing colour</b>	Natural anodised aluminium, Black (RAL9004), White (RAL9003)																		
<b>Material</b>	Anodised or painted aluminium (body), polycarbonate (optics)																		
<b>Certifications</b>	CIE60598, CISPR15																		

## Polar intensity diagram

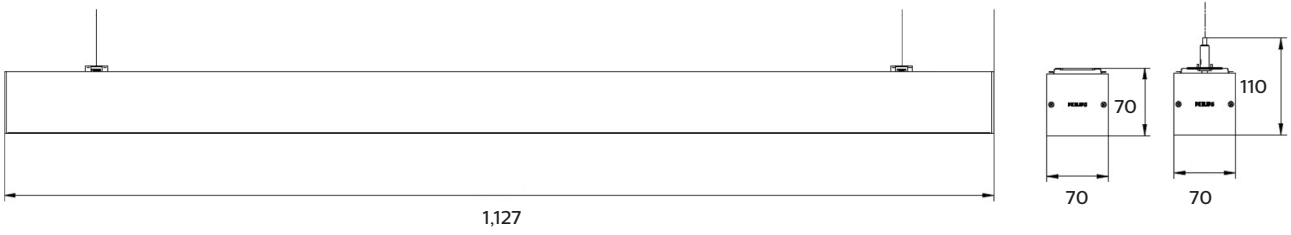


# Dimensions

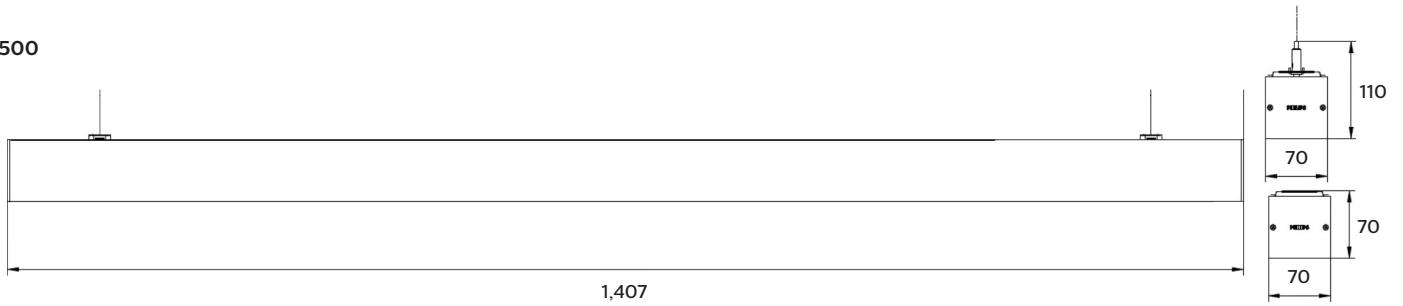
## L600



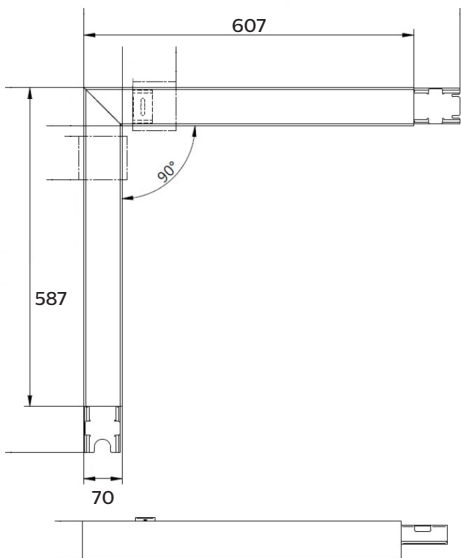
## L1200



## L1500



## SM350X (L-corner)



Type	L600	L1200	L1500	SM350X (L-corner)
Weight (Kg)	1.512	2.780	3.423	3.451

# Order placement information

Order Code	Technical Description	Specification
910925868372	SM350C 27S/830 PSD PCS L1200 ALU	Keyline light line, Suspended or surface mounted, 2700lm, 3000K, DALI dimmable, PC structured optic, 1,200mm, Aluminium
910925868373	SM350C 27S/830 PSD PCS L1200 WH	Keyline light line, Suspended or surface mounted, 2700lm, 3000K, DALI dimmable, PC structured optic, 1,200mm, White
910925868368	SM350C 27S/830 PSU PCS L1200 ALU	Keyline light line, Suspended or surface mounted, 2700lm, 3000K, Fixed output, PC structured optic, 1,200mm, Aluminium
910925868369	SM350C 27S/830 PSU PCS L1200 WH	Keyline light line, Suspended or surface mounted, 2700lm, 3000K, Fixed output, PC structured optic, 1,200mm, White
910925868356	SM350C 27S/840 PSD PCS L1200 ALU	Keyline light line, Suspended or surface mounted, 2700lm, 4000K, DALI dimmable, PC structured optic, 1,200mm, Aluminium
910925868358	SM350C 27S/840 PSD PCS L1200 BK	Keyline light line, Suspended or surface mounted, 2700lm, 4000K, DALI dimmable, PC structured optic, 1,200mm, Black
910925868357	SM350C 27S/840 PSD PCS L1200 WH	Keyline light line, Suspended or surface mounted, 2700lm, 4000K, DALI dimmable, PC structured optic, 1,200mm, White
910925868303	SM350C 27S/840 PSU PCS L1200 ALU	Keyline light line, Suspended or surface mounted, 2700lm, 4000K, Fixed output, PC structured optic, 1,200mm, Aluminium
910925868352	SM350C 27S/840 PSU PCS L1200 BK	Keyline light line, Suspended or surface mounted, 2700lm, 4000K, Fixed output, PC structured optic, 1,200mm, Black
910925868351	SM350C 27S/840 PSU PCS L1200 WH	Keyline light line, Suspended or surface mounted, 2700lm, 4000K, Fixed output, PC structured optic, 1,200mm, White
910925868382	SM350C 34S/840 PSD PCS L1500 ALU	Keyline light line, Suspended or surface mounted, 3400lm, 4000K, DALI dimmable, PC structured optic, 1,500mm, Aluminium
910925868384	SM350C 34S/840 PSD PCS L1500 BK	Keyline light line, Suspended or surface mounted, 3400lm, 4000K, DALI dimmable, PC structured optic, 1,500mm, Black
910925868383	SM350C 34S/840 PSD PCS L1500 WH	Keyline light line, Suspended or surface mounted, 3400lm, 4000K, DALI dimmable, PC structured optic, 1,500mm, White
910925868376	SM350C 34S/840 PSU PCS L1500 ALU	Keyline light line, Suspended or surface mounted, 3400lm, 4000K, Fixed output, PC structured optic, 1,500mm, Aluminium
910925868378	SM350C 34S/840 PSU PCS L1500 BK	Keyline light line, Suspended or surface mounted, 3400lm, 4000K, Fixed output, PC structured optic, 1,500mm, Black
910925868377	SM350C 34S/840 PSU PCS L1500 WH	Keyline light line, Suspended or surface mounted, 3400lm, 4000K, Fixed output, PC structured optic, 1,500mm, White
910925868374	SM350C 40S/830 PSD PCS L1200 ALU	Keyline light line, Suspended or surface mounted, 4000lm, 3000K, DALI dimmable, PC structured optic, 1,200mm, Aluminium.
910925868375	SM350C 40S/830 PSD PCS L1200 WH	Keyline light line, Suspended or surface mounted, 4000lm, 3000K, DALI dimmable, PC structured optic, 1,200mm, White
910925868370	SM350C 40S/830 PSU PCS L1200 ALU	Keyline light line, Suspended or surface mounted, 4000lm, 3000K, Fixed output, PC structured optic, 1,200mm, Aluminium
910925868371	SM350C 40S/830 PSU PCS L1200 WH	Keyline light line, Suspended or surface mounted, 4000lm, 3000K, Fixed output, PC structured optic, 1,200mm, White
910925868359	SM350C 40S/840 PSD PCS L1200 ALU	Keyline light line, Suspended or surface mounted, 4000lm, 4000K, DALI dimmable, PC structured optic, 1,200mm, Aluminium
910925868361	SM350C 40S/840 PSD PCS L1200 BK	Keyline light line, Suspended or surface mounted, 4000lm, 4000K, DALI dimmable, PC structured optic, 1,200mm, Black
910925868360	SM350C 40S/840 PSD PCS L1200 WH	Keyline light line, Suspended or surface mounted, 4000lm, 4000K, DALI dimmable, PC structured optic, 1,200mm, White
910925868353	SM350C 40S/840 PSU PCS L1200 ALU	Keyline light line, Suspended or surface mounted, 4000lm, 4000K, Fixed output, PC structured optic, 1,200mm, Aluminium
910925868355	SM350C 40S/840 PSU PCS L1200 BK	Keyline light line, Suspended or surface mounted, 4000lm, 4000K, Fixed output, PC structured optic, 1,200mm, Black
910925868354	SM350C 40S/840 PSU PCS L1200 WH	Keyline light line, Suspended or surface mounted, 4000lm, 4000K, Fixed output, PC structured optic, 1,200mm, White
910925868385	SM350C 50S/840 PSD PCS L1500 ALU	Keyline light line, Suspended or surface mounted, 5000lm, 4000K, DALI dimmable, PC structured optic, 1,500mm, Aluminium

910925868387	SM350C 50S/840 PSD PCS L1500 BK	Keyline light line, Suspended or surface mounted, 5000lm, 4000K, DALI dimmable, PC structured optic, 1,500mm, Black
910925868386	SM350C 50S/840 PSD PCS L1500 WH	Keyline light line, Suspended or surface mounted, 5000lm, 4000K, DALI dimmable, PC structured optic, 1,500mm, White
910925868379	SM350C 50S/840 PSU PCS L1500 ALU	Keyline light line, Suspended or surface mounted, 5000lm, 4000K, Fixed output, PC structured optic, 1,500mm, Aluminium
910925868381	SM350C 50S/840 PSU PCS L1500 BK	Keyline light line, Suspended or surface mounted, 5000lm, 4000K, Fixed output, PC structured optic, 1,500mm, Black
910925868380	SM350C 50S/840 PSU PCS L1500 WH	Keyline light line, Suspended or surface mounted, 5000lm, 4000K, Fixed output, PC structured optic, 1,500mm, White
910925868388	SM350X 27S/840 PSD L60L60 PCS ALU	Keyline light line, Suspended or surface mounted, 2700lm, 4000K, DALI dimmable, PC structured optic, 600x600mm, Aluminium
910925868390	SM350X 27S/840 PSD L60L60 PCS BK	Keyline light line, Suspended or surface mounted, 2700lm, 4000K, DALI dimmable, PC structured optic, 600x600mm, Black
910925868389	SM350X 27S/840 PSD L60L60 PCS WH	Keyline light line, Suspended or surface mounted, 2700lm, 4000K, DALI dimmable, PC structured optic, 600x600mm, White

## Accessories

Order Code	Technical Description	Specification
910925868341	SP350Z EP WH	Keyline light line. Endcap. Box containing a set of 2 end pieces incl. screws. White
910925868342	SP350Z EP BK	Keyline light line. Endcap. Box containing a set of 2 end pieces incl. screws. Black
910925868343	SP350Z EP SI	Keyline light line. Endcap. Box containing a set of 2 end pieces incl. screws. Silver
910925868344	SP350Z CP	Keyline light line. Coupling piece. Box containing a coupling piece (internal coupling element with fixation screws)
910925868345	SP350Z CMB	Keyline light line. Surface mnt bracket. Box containing 2 ceiling mounted brackets
910925868346	SP350Z SM2 WH	Keyline light line. Suspension set. Box containing: 2x suspension wire (easy height adjustment), 2x luminaire brackets, 1x 'ceiling pin', 1x ceiling cap White (no power cable)
910925868347	SP350Z SM2 SI	Keyline light line. Suspension set. Box containing: 2x suspension wire (easy height adjustment), 2x luminaire brackets, 1x 'ceiling pin', 1x ceiling cap Silver (no power cable)
910925868348	SP350Z SW2	Keyline light line. Suspension set. Box containing: 2x suspension wire (easy height adjustment), 2x luminaire brackets, 2x 'ceiling pin' (no ceiling cap, no power cable)
910925868349	SP350Z C1700P3 SI	Keyline light line. Power cable. Box containing power cable, 1700mm length, 3-Pole, Silver
910925868350	SP350Z C1700P5 SI	Keyline light line. Power cable. Box containing power cable, 1700mm length, 5-Pole, Silver



© 2021 Signify Holding. All rights reserved. The information provided herein is subject to change, without notice. Signify does not give any representation or warranty as to the accuracy or completeness of the information included herein and shall not be liable for any action in reliance thereon. The information presented in this document is not intended as any commercial offer and does not form part of any quotation or contract, unless otherwise agreed by Signify. Philips and the Philips Shield Emblem are registered trademarks of Koninklijke Philips N.V. All other trademarks are owned by Signify Holding or their respective owners.

Version: August 2021

**Signify Australia Limited**  
T: 1300 110 500

[www.philips.com/lighting](http://www.philips.com/lighting)