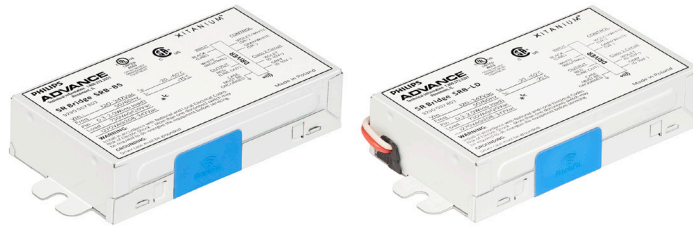


PHILIPS ADVANCE

Bridge

Xtanium SR

SRB-BS (Bottom Entry)
SRB-LD (Side Entry)

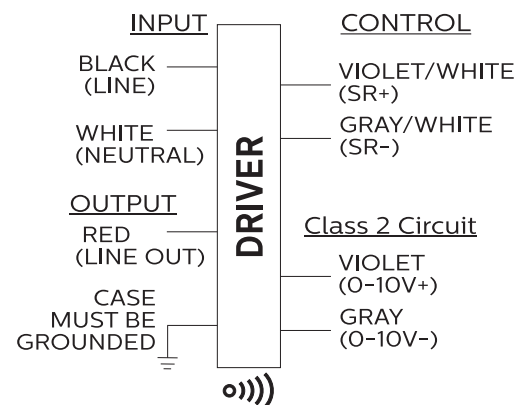


The Philips Advance Xtanium SR bridges are designed to expand the flexibility and application of the SR protocol with SR-certified components. These models enable use of SR with the full range of Philips Advance Xtanium 0-10V dimming drivers. Primary use cases are: 1) for use in combination with 0-10V drivers where SR-specific models are not available; this makes deployment of SR practical for any niche application where a 0-10V dimming driver is available; and 2) for use with multiple 0-10V drivers where per-fixture control is either not desired or not practical. In such application, the SR bridge aggregates all drivers and controls/monitors as one group.

Specifications

Input Voltage (Vac)	Max. Power (VA)	Max. Current (A)	Max. Losses (W)	Max. Case Temp (°C)	Surge Protection Common/Diff (KV)
120	730	6.1	1.0	70	2.5
208	1270	6.1			
240	1270	5.3			
277	1270	4.6			
347	1280	3.7			

Wiring Diagram



Control Interface, Input	Dimming Interface, Output
SR	0-10V

Class 2 only.

WARNING:

Install in accordance with national and local electrical codes.

Risk of electric shock – More than one disconnect switch may be required to de-energize the equipment before servicing.

GROUNDING:

Driver case must be grounded.

Xitanium SR bridge

Electrical Specifications

All the specifications are typical and at 25°C Tcase unless specified otherwise.

Features

- Standard SR interface
- Zero-crossing switching
- Energy reporting
- Linear (1-8v) dimming curve matches standard Philips Advance Xitanium drivers
- SmartMate form factor with bottom entry and side entry

Benefits

- Works with multiple SR-compatible devices on the market
- Designed for electronic loads up to maximum number of listed drivers
- Monitor and manage overall energy usage
- Matches standard Xitanium dimming drivers
- Easy junction box and in-fixture mounting options

Application

- Downlighting
- Recessed linear
- Pendants
- Wall sconces

Product Data

Ordering Information

Full Product Code	SRB-BS (bottom entry) SRB-LD (side entry)
Net Weight Per Piece	0.44 lbs./0.2 kgs
Packaging	Mid-pack, 16pcs/box

Input and Output Information

Inrush Current	Per NEMA 410, for max. number of drivers listed
Line Voltage (AC operation)	120-347VAC, +/-10%
Line Current, Max. Load	6.1A @ 120V, 6.1A @ 208V, 5.3A @ 240V, 4.6A @ 277V, 3.7A @ 347V
Line Frequency	50/60Hz

Features

Life @ 70°C	50,000 hrs (nom)
Max. Case Temperature (Tcase, Tc)	70°C
Ambient Temp Range	-20°C to +60°C
Power Reporting Accuracy	±0.9W/±4%
Dimming Profile	Linear (default 1 – 8V); Programmable
Lead Wires	18AWG solid conductor, 8 inches

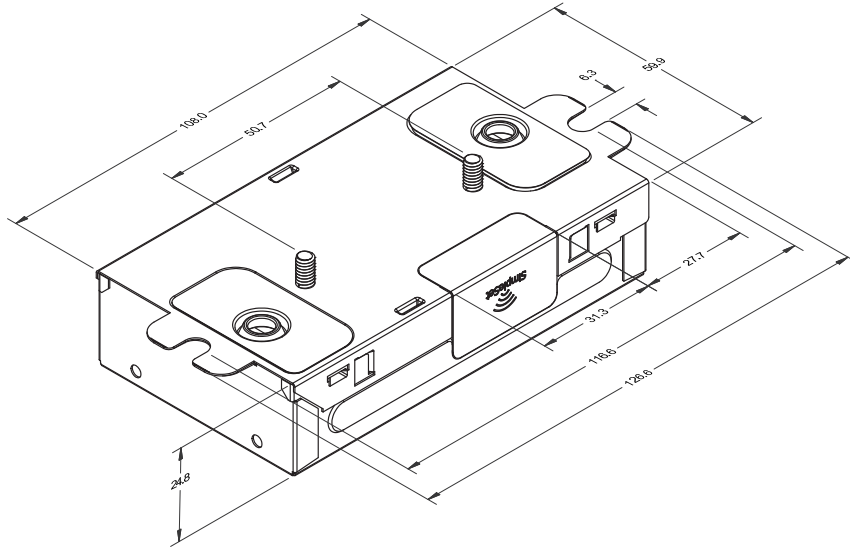
Environment & Approbation

Agency Approbations	UL916, UL2043 (pending), CSA (C22.2 No. 250)
Audible Noise	26dB typ. not including start-up; 46dB typ. at start-up
EMC (electromagnetic compliance)	Meets FCC 47 Part 15 Class A
Envir. Protection Rating	UL Dry & Damp

Xitanium SR bridge

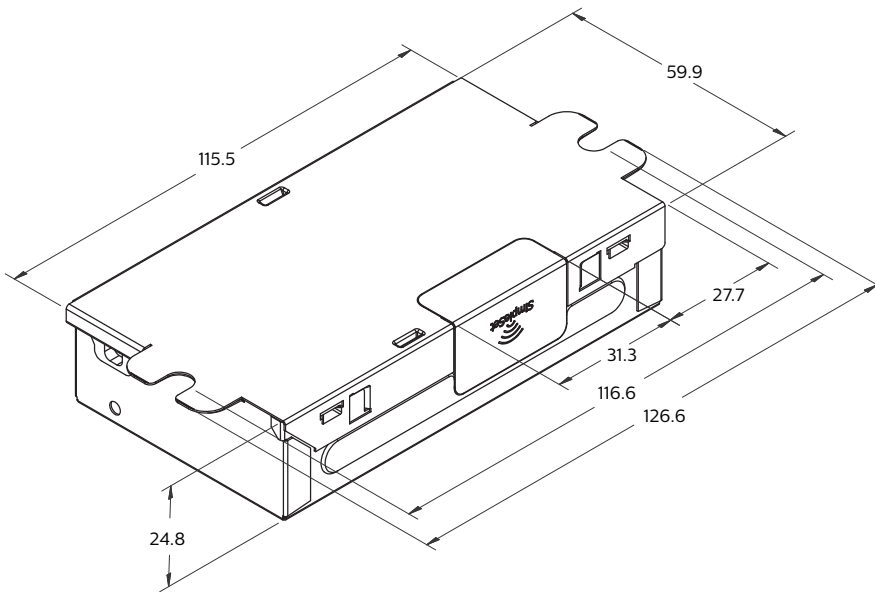
Enclosure

SRB-BS (Bottom Entry)



	In. (mm)
Case Length	4.25 (108.0)
Case Width	2.36 (59.9)
Case Height	0.98 (25.0)
Mounting Length	4.59 (116.6)
Overall Length	4.98 (126.6)

SRB-LD (Side Entry)



	In. (mm)
Case Length	4.25 (108.0)
Case Width	2.36 (59.9)
Case Height	0.98 (25.0)
Mounting Length	4.59 (116.6)
Overall Length	4.98 (126.6)

Xitanium SR bridge

Number of Drivers Per Bridge

The SR bridge is compatible with Philips Advance Xitanium drivers (0-10v dimming) having published output power ratings shown below.

Driver		Input Voltage	# Drivers
Downlight	13W	120	32
		277	40
	25W	120	17
		277	30
	36W	120	12
		277	22
	50W	120	8
		277	15
	75W	120	5
		277	10
Linear	20W	120	20
		277	36
		347	36
	40W	120	11
		277	19
		347	19
	54W	120	8
		277	14
		347	15
	75W	120	5
		277	10
		347	10
	95W	120	4
		277	8
		347	8

Xitanium SR bridge

Lightning Surge Info

ANSI Surge Type	Differential Mode (L-N)	Common Mode (L-G, N-G, L&N-G)
100kHz Combination Wave (w/t 30Ω)	>2.5kV	>2.5kV

Isolation

Isolation	Line In	Ground	SR	0-10V	Line Out
Line In	NA	2xU+1kv	2.5kv	2.5kv	Not Isolated
Ground	2xU+1kv	NA	2xU+1kv	2xU+1kv	2xU+1kv
SR	2.5kv	2.5kv	NA	Not Isolated	2.5kv
0-10V	2.5kv	2.5kv	Not Isolated	NA	2.5kv
Line Out	Not Isolated	2xU+1kv	2.5kv	2.5kv	NA

Installation and Application Notes

SR bridge may emit slight audible noise under normal operation.

© 2017 Philips Lighting Holding B.V. All rights reserved.
Philips reserves the right to make changes in specifications and/or to discontinue any product at any time without notice or obligation and will not be liable for any consequences resulting from the use of this publication.
philips.com/leddrivers



Philips Lighting North America Corporation
10275 W. Higgins Road, Rosemont IL 60018
Tel: 800-322-2086 Fax: 888-423-1882
Customer/Technical Service: 800-372-3331
OEM Support: 866-915-5886

Philips Lighting Canada Ltd.
281 Hillmount Rd, Markham, ON, Canada L6C 2S3
Tel. 800-668-9008