

# PHILIPS

## LED lamps

### CorePro LED Corn Cob lamps

For a range of industrial,  
commercial and urban applications



# Get the perfect fixture fit at an affordable price

**Our new, smaller Philips CorePro LED Corn Cob lamps** replace conventional metal halide and high pressure sodium lamps, making it hassle-free to retrofit and maximize efficiency. Designed to fit fixtures in most relevant applications, these omni-directional ballast-bypass lamps offer an ideal and affordable way to upgrade existing HID fixtures to the latest LED technology.

## Benefits

- Passive Cooling lamps eliminate fan noise and reduces moving parts which require additional maintenance over time
- Up to 70% energy savings<sup>1</sup>
- Long life lowers maintenance costs by reducing re-lamp frequency
- UL Type B solution allows installer to bypass the ballast and reduce maintenance costs

## Features

- Offered in both mogul-based and medium-based options
- Wide ambient temperature operating range from -40°F to +113°F (-40°C to +45°C)
- Mogul-based lamps are DLC rated
- UL damp rated (UL1993 + UL1598C)
- Built in surge protection
- Passive cooling
- Available in 3000K, 4000K and 5000K color temperatures (CCT)
- Universal burn positioning
- Suitable for both enclosed and open fixtures
- 5-year limited warranty<sup>2</sup>
- Additional High Wattage Corn Cob lamps available in our MasterClass range

For more details visit <https://www.usa.lighting.philips.com/products/product-highlights/led-hid-replacements>

1. LED system watts of 36 compared to 120 of a C100554/ALTO.

2. Depending upon operating hours. For details please visit [www.signify.com/warranties](http://www.signify.com/warranties).

# Philips CorePro LED Corn Cob lamps

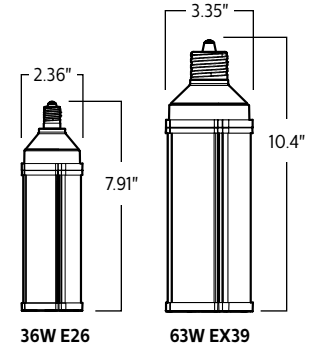
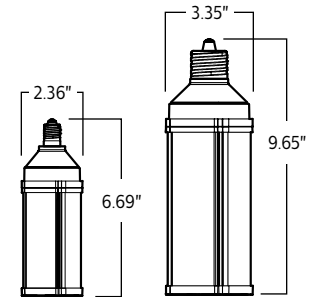
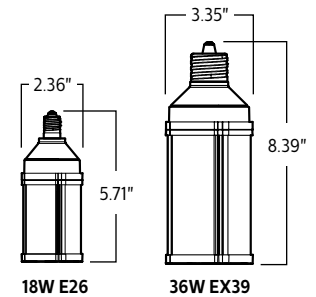
Ordering, electrical and technical data (Subject to change without notice)



Dimensions

Product No. (6nc)	Model No. (12nc)	Description	Watts (W)	Replace Watts (W)	Lumens (lm)	Volts (V)	CRI (min)	CCT (K)	Lifetime <sup>1</sup> (hrs)	Qty per pallet	
<b>CorePro E26 lamps</b>											
D E	559633	929002395204	18CC/LED/830/ND E26 G2 BB 6/1	18	50-70	2300	120-277	80	3000	50,000	900
D E	559641	929002395304	18CC/LED/840/ND E26 G2 BB 6/1	18	50-70	2400	120-277	80	4000	50,000	900
D E	559658	929002395404	18CC/LED/850/ND E26 G2 BB 6/1	18	50-70	2500	120-277	80	5000	50,000	900
D E	559666	929002395504	27CC/LED/830/ND E26 G2 BB 6/1	27	70-100	3500	120-277	80	3000	50,000	720
D E	559674	929002395604	27CC/LED/840/ND E26 G2 BB 6/1	27	70-100	3700	120-277	80	4000	50,000	720
D E	559682	929002395704	27CC/LED/850/ND E26 G2 BB 6/1	27	70-100	3800	120-277	80	5000	50,000	720
D E	559690	929002395804	36CC/LED/830/ND E26 G2 BB 6/1	36	100-150	5000	120-277	80	3000	50,000	456
D E	559708	929002395904	36CC/LED/840/ND E26 G2 BB 6/1	36	100-150	5200	120-277	80	4000	50,000	456
D E	559716	929002396004	36CC/LED/850/ND E26 G2 BB 6/1	36	100-150	5400	120-277	80	5000	50,000	456
<b>CorePro EX39 lamps</b>											
D E	559724	929002396104	36CC/LED/830/ND EX39 G2 BB 6/1	36	100-150	5000	120-277	80	3000	50,000	456
D E	559732	929002396204	36CC/LED/840/ND EX39 G2 BB 6/1	36	100-150	5200	120-277	80	4000	50,000	456
D E	559740	929002396304	36CC/LED/850/ND EX39 G2 BB 6/1	36	100-150	5400	120-277	80	5000	50,000	456
D E	559757	929002396404	45CC/LED/830/ND EX39 G2 BB 6/1	45	150-175	6200	120-277	80	3000	50,000	342
D E	559765	929002396504	45CC/LED/840/ND EX39 G2 BB 6/1	45	150-175	6500	120-277	80	4000	50,000	342
D E	559773	929002396604	45CC/LED/850/ND EX39 G2 BB 6/1	45	150-175	6700	120-277	80	5000	50,000	342
D E	559781	929002396704	54CC/LED/830/ND EX39 G2 BB 6/1	54	150-250	7500	120-277	80	3000	50,000	342
D E	559799	929002396804	54CC/LED/840/ND EX39 G2 BB 6/1	54	150-250	7800	120-277	80	4000	50,000	342
D E	559807	929002396904	54CC/LED/850/ND EX39 G2 BB 6/1	54	150-250	8000	120-277	80	5000	50,000	342
D E	559815	929002397004	63CC/LED/830/ND EX39 G2 BB 6/1	63	175-250	8600	120-277	80	3000	50,000	342
D E	559823	929002397104	63CC/LED/840/ND EX39 G2 BB 6/1	63	175-250	9000	120-277	80	4000	50,000	342
D E	559831	929002397204	63CC/LED/850/ND EX39 G2 BB 6/1	63	175-250	9200	120-277	80	5000	50,000	342

D = Damp location E = Enclosed fixtures



## Energy saving solution

### For CorePro LED Corn Cob G2 Passive cooling 63w

#### Estimated lighting costs using a 175 MH lamp with ballast

Present Wattage	201 watts
× Annual operating hours	4,000 hours
=	804,000 watt-hours
÷ 1,000	= 804 kWh per year
× kWh rate of \$0.11	= \$88.44 per year
× 100 lamps	= \$8,844.00 annual energy cost

#### Estimated lighting costs using a Philips Corn cob LED lamp

Present Wattage	63 watts
× Annual operating hours	4,000 hours
=	252,000 watt-hours
÷ 1,000	= 252 kWh per year
× kWh rate of \$0.11	= \$27.72 per year
× 100 lamps	= \$2,772.00 annual energy cost

**Total estimated savings** \$6,072.00 annual savings

Based on 100 lamps per space operating at 4000 hours per year.

This example shows an application of 100 lamps accenting a space, operating 4,000 hours. Your actual savings may vary depending on the energy costs in your geographic location.

#### WARNINGS AND CAUTIONS

Risk of property damage or personal injury – The weight of the lamp is within the UL weight specification of a mogul (E39) base. However, before installing the lamp please ensure that the lamp holder (or socket) is not damaged or loose. The lamp holder (or socket) must be secured firmly to the fixture. If the lamp holder is damaged, corroded, charred or blackened, it must be replaced.

**CAUTION:** Risk of electric shock— do not use where directly exposed to water.

**NOTES:** This device complies with Part 15 of the FCC rule. Operation is subject to the following two conditions: (1) this device may not cause harmful interference, and (2) this device must accept any interference received, including interference that may cause undesired operation. This Class B digital apparatus complies with Canadian ICES-005. Any changes or modifications not expressly approved by the party responsible for compliance could void the user's authority to operate the equipment. This lamp is suitable for dry and/or damp locations (indoor & outdoor applications). Suitable for use in outdoor luminaires as these luminaires provide a damp location for the lamp. This lamp is suitable for use in totally enclosed luminaires.

1. LED lifetime means the length of time (in hours) until half of the LED light sources maintain at least 70% of their initial lumen output (B50, L70). Lamps rated 50,000 hours is for bare lamp without fixture.



© 2020 Signify Holding. All rights reserved. The information provided herein is subject to change, without notice. Signify does not give any representation or warranty as to the accuracy or completeness of the information included herein and shall not be liable for any action in reliance thereon. The information presented in this document is not intended as any commercial offer and does not form part of any quotation or contract, unless otherwise agreed by Signify.



Signify North America Corporation  
200 Franklin Square Drive,  
Somerset, NJ 08873  
Telephone 855-486-2216

Signify Canada Ltd.  
281 Hillmount Road,  
Markham, ON, Canada L6C 2S3  
Telephone 800-668-9008

Philips and the Philips Shield Emblem are registered trademarks of Koninklijke Philips N.V. All other trademarks are owned by Signify Holding or their respective owners.