

# PHILIPS

LED lamps

FlexFit



## This is real flexibility

**Introducing FlexFit (dual-mode) T8 LED Lamps by Philips.** It works as either a plug-and-play (UL Type A) or ballast bypass (UL Type B) lamp. As a Type A lamp, it is compatible with a variety of ballasts. If a ballast is not desired or fails in the field, the lamp can quickly be installed as a double-ended ballast bypass lamp.

### Benefits

- **FlexFit** is one lamp for two applications and works as either a UL Type A or UL Type B lamp
- **Over 40% energy savings** versus linear fluorescent lamps for continuous savings<sup>1</sup>
- **Lifetime delivered** of a 50,000 hour average life rating of 50,000 hour rated life<sup>2</sup>
- **5-year limited warranty** with full replacement and unlimited daily burn hours ensuring you are completely covered<sup>3</sup>
- **Simple Installation** with plug-and-play or double-ended options for the simplest and quickest installation in either configuration
- **Light quality and performance predictability** with consistent light output and no visible flicker<sup>4</sup> to satisfy every customer
- **Proven product history** from a company with a long history of innovation and reliability in the lighting industry

1. Savings based on comparison to F32T8 electronic instant start systems (tested to B50 L70 requirement).

2. LED lifetime means the length of time (in hours) until half of the LED light sources maintain at least 70% of their initial lumen output (B50, L70).

3. Modifications to the product void the warranty.

4. As measured per IEEE IEEE 1789-2015. SVM <1.0 is negligible.

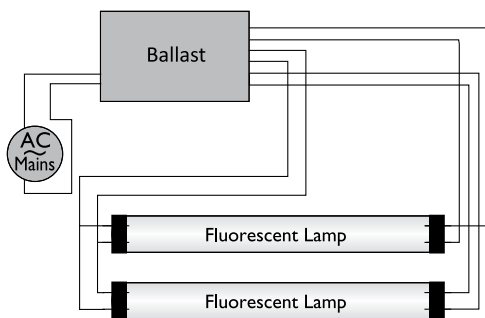
# Philips FlexFit LED lamps

Ordering, electrical and technical data (Subject to change without notice)

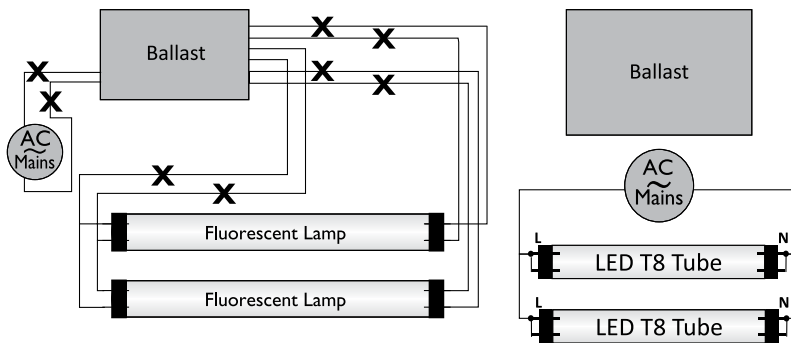
G13

Product No. (6nc)	Model No. (12nc)	Description	DLC ID	Nom. Watts (W)	Nom. Lumens (lm)	CCT (K)	CRI (min)	Type A system specs						Type B performance		
								Watts (LBF)	Watts (NBF)	Watts (HBF)	Lumens (LBF)	Lumens (NBF)	Lumens (HBF)	Input Volts (V)	Lamp Watts (W)	Lamp Lumens (lm)
<b>TLED lamps</b>																
560193	9290024022	12.5T8/COR/48-835/FF18/G 25/1	PNPPUDXB	12.5	1825	3500	>80	11.5	14.5	20.5	1250	1700	2400	120-277V	13	1700
600189	9290023173	12.5T8/COR/48-840/FF18/G 25/1	PD745LMC	12.5	1825	4000	>80	11.5	14.5	20.5	1350	1800	2500	120-277V	13	1800
600197	9290023174	12.5T8/COR/48-850/FF18/G 25/1	PMAB652F	12.5	1825	5000	>80	11.5	14.5	20.5	1350	1800	2500	120-277V	13	1800

## Type A configuration (plug-and-play)



## Type B configuration (double-ended wiring)



Non-Shunted lampholder

Add a jumper wire to convert to a shunted lampholder

Figure showing how to convert a non-shunted lampholder to a shunted lampholder using a jumper wire. For proper operation sockets must be shunted.

Please refer to [www.philips.com/tled](http://www.philips.com/tled) for instant start ballasts details and the latest ballast compatibility guide.

For more information on Philips' limited warranty please visit [www.signify.com/warranties](http://www.signify.com/warranties). Please see ballast compatibility for full listing.

1. Photometric testing consistent with IES LM-79.
2. Product is not dimmable.



© 2020 Signify Holding. All rights reserved. The information provided herein is subject to change, without notice. Signify does not give any representation or warranty as to the accuracy or completeness of the information included herein and shall not be liable for any action in reliance thereon. The information presented in this document is not intended as any commercial offer and does not form part of any quotation or contract, unless otherwise agreed by Signify.



Signify North America Corporation  
200 Franklin Square Drive,  
Somerset, NJ 08873  
Telephone 855-486-2216

Signify Canada Ltd.  
281 Hillmount Road,  
Markham, ON, Canada L6C 2S3  
Telephone 800-668-9008

Philips and the Philips Shield Emblem are registered trademarks of Koninklijke Philips N.V. All other trademarks are owned by Signify Holding or their respective owners.