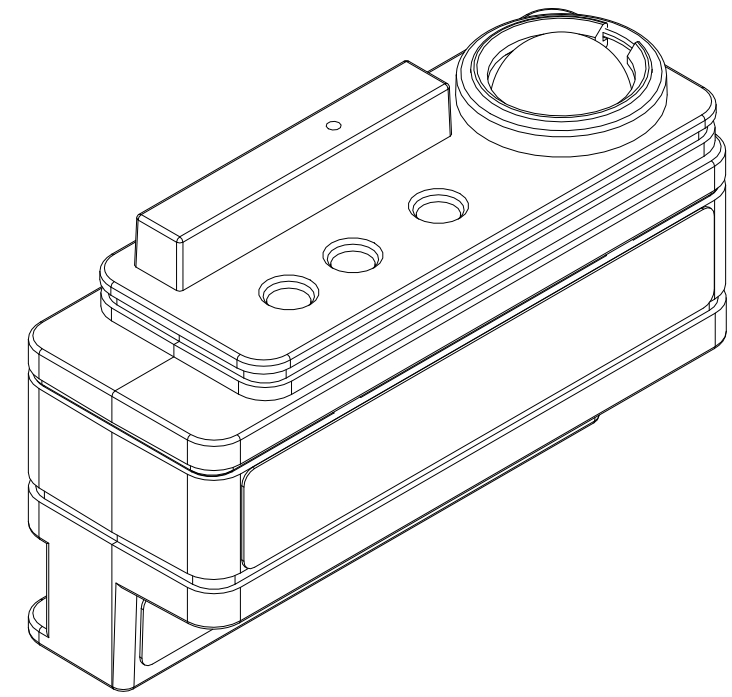
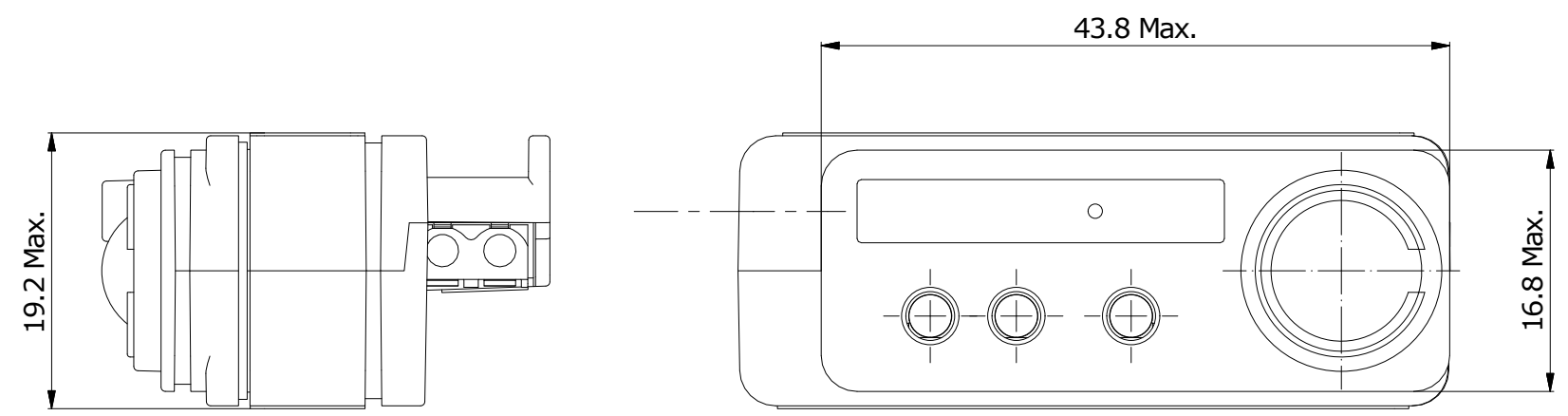
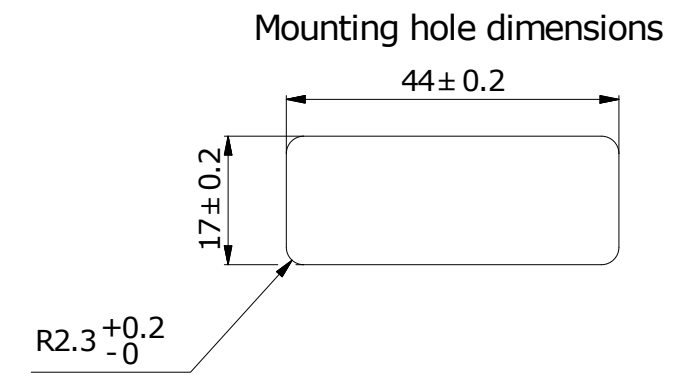
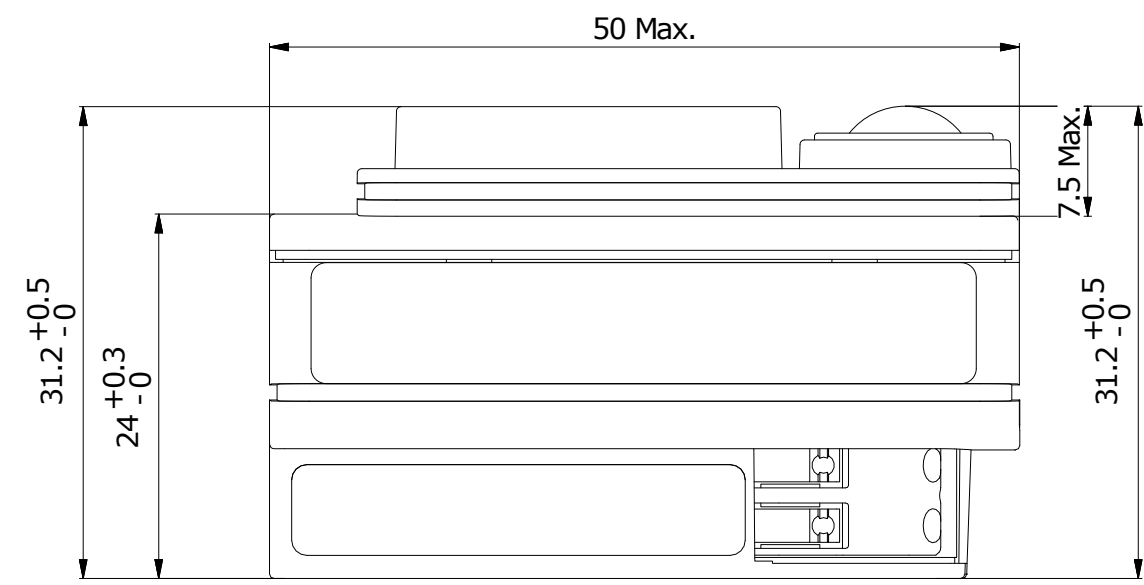


1 2 3 4 5 6 7 8

a
b
c
d
e
f



Confidential

CLASS NO.	EasySense/EasyAir SNS210		2019-12-10
	9290 017 56513		2019-03-06
NAME W. Görts	SUPERS.	1 SH.SH. 112 - 1	A3
DATA FMT.	PROGR.	PLATF.	
CAD	CHECK W.GDATE 21/01/2019	© 2018 Signify Holding	