



Philips EasySense SNS210 MC

Economical and touchless lighting control solution for indoor applications



Version 1.0



Philips EasySense SNS210MC

Support existing EasySense SNS200 features:

- Occupancy/daylight detection
- Advanced wireless lighting control
- DLC-qualified (pending)
- No need for central gateway

New features added:

- New iOS/Android OS app (MasterConnect)
- Flashlight/list-based commissioning
- Energy monitoring
- Over-the-air firmware upgrade[†]
- Tunable white control^{*}

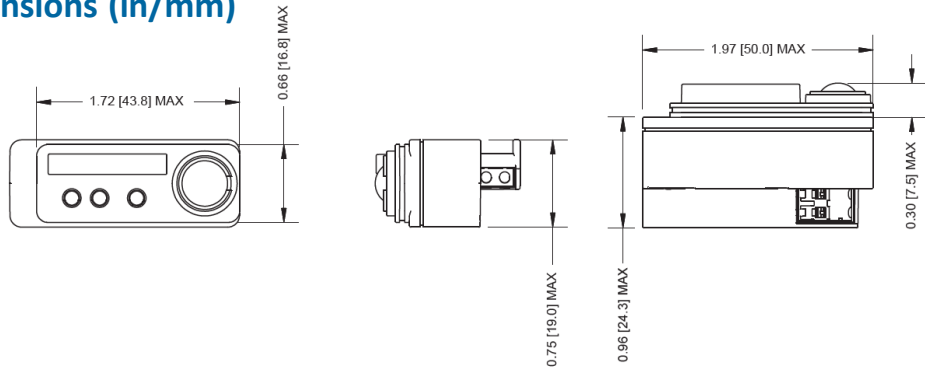


* Require Advance FlexTune Xitanium SR LED driver

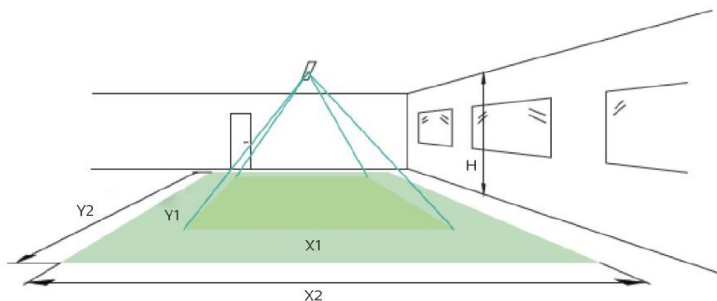
† SNS210 MC only



Sensor Dimensions (in/mm)



Occupancy Sensing Coverage (m)



Height H	Minor Movement		Major Movement	
	Y1	X1	Y2	X2
8'/2.4m	10'/2.9m	6'/1.9m	14'/4.3m	9'/2.9m
10'/3m	12'/3.6m	8'/2.4m	18'/5.4m	12'/3.6m

Note: Longer dimension of detection area (Y1, Y2) is parallel to longer dimension of EasySense.

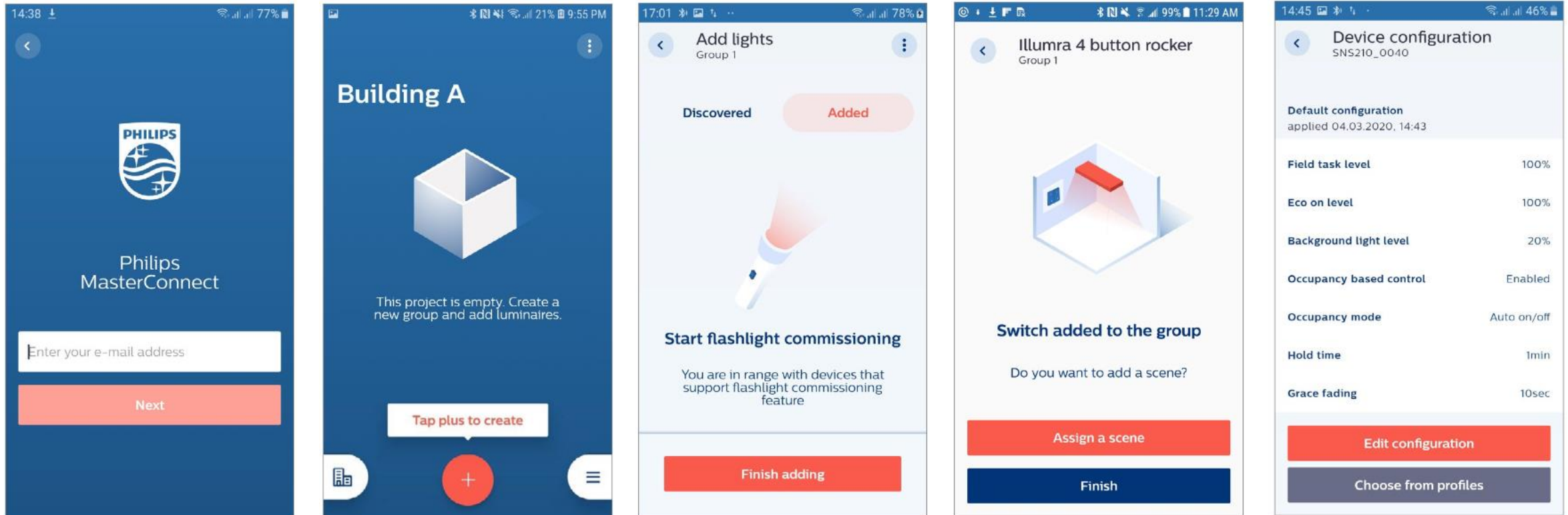
Name: Philips EasySense SNS210 MC
 Order code: SNS210 MC
 12NC: 929001756513
 Dimensions (in): 0.75x1.97x1.05
 Max mounting height (ft): 12
 Operating voltage: SR low-voltage
 Detection angle: See diagram
 Operating temperature: 0° C to 55° C
 Limited Warranty: 5 Years



Wireless control with Philips EasySense SNS210 MC



MasterConnect for EasySense SNS210 MC



Vast improvement in user interface and ease of use



For more info please contact your Signify representative or go to:

www.Philips.com/EasySense

