



PILA Floodlights

PILA BVP008 10W 3000K

PILA Floodlights – LED Module, 10 W – 3000 K

Benefits

- Energy Saving
- Robust luminaire
- Reliable quality



Product data

General information

Light source color	840 neutral white
Light source replaceable	-
Driver included	Yes
Emergency Lighting	-
Optic type	-
Control interface	No
Connection	Flying wire
Protection class IEC	Safety class I
Mounting	-
CE mark	Yes
EU RoHS compliant	Yes
Constant light output	No
Number of products on MCB of 16 A type B	-
Service tag	-
Product family code	BVP008 [PILA Floodlights]

Operating and Electrical

Input Voltage	220-240 V
Input Frequency	50 to 60 Hz
Inrush current	-
Inrush time	-
Power Factor (Min)	> 0.9
Surge Protection (KV)	-

Controls and Dimming

Dimmable	No
Motion sensor	No

Mechanical and Housing

Housing Material	Aluminium
Optical cover/lens material	Glass
Optical cover/lens finish	-
Overall length	106 mm
Overall width	30 mm
Overall height	98 mm
Color	Black
Accessory	-

Approval and Application

Ingress protection code	IP65
Mech. impact protection code	IK06

Initial Performance (IEC Compliant)

Initial luminous flux (system flux)	900 lm
Initial LED luminaire efficacy	90 lm/W
Init. Corr. Color Temperature	3000 K
Init. Color Rendering Index	> 80
Initial chromaticity	-
Initial input power	10 W



PILA LED Floodlights

Over Time Performance (IEC Compliant)

Lifetime L70B50	35,000 h
-----------------	----------

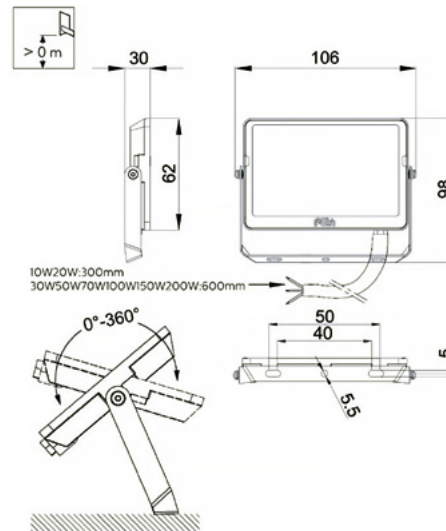
Application Conditions

Performance ambient temperature Tq	-
------------------------------------	---

Product Data

Full product code	-
Order product name	PILA BVP008 10W 3000K
EAN/UPC - Product	87195145329499
Order code	-
Numerator - Quantity Per Pack	1
Numerator - Packs per outer box	1
Material Nr. (12NC)	911401810583
Net Weight (Piece)	-

Dimensional drawing





PILA Floodlights

PILA BVP008 10W 4000K

PILA Floodlights – LED Module, 10 W – 4000 K

Benefits

- Energy Saving
- Robust luminaire
- Reliable quality



Product data

General information

Light source color	840 neutral white
Light source replaceable	-
Driver included	Yes
Emergency Lighting	-
Optic type	-
Control interface	No
Connection	Flying wire
Protection class IEC	Safety class I
Mounting	-
CE mark	Yes
EU RoHS compliant	Yes
Constant light output	No
Number of products on MCB of 16 A type B	-
Service tag	-
Product family code	BVP008 [PILA Floodlights]

Operating and Electrical

Input Voltage	220-240 V
Input Frequency	50 to 60 Hz
Inrush current	-
Inrush time	-
Power Factor (Min)	> 0.9
Surge Protection (KV)	-

Controls and Dimming

Dimmable	No
Motion sensor	No

Mechanical and Housing

Housing Material	Aluminium
Optical cover/lens material	Glass
Optical cover/lens finish	-
Overall length	106 mm
Overall width	30 mm
Overall height	98 mm
Color	Black
Accessory	-

Approval and Application

Ingress protection code	IP65
Mech. impact protection code	IK06

Initial Performance (IEC Compliant)

Initial luminous flux (system flux)	950 lm
Initial LED luminaire efficacy	95 lm/W
Init. Corr. Color Temperature	4000 K
Init. Color Rendering Index	> 80
Initial chromaticity	-
Initial input power	10 W

Over Time Performance (IEC Compliant)

Lifetime L70B50	35,000 h
-----------------	----------

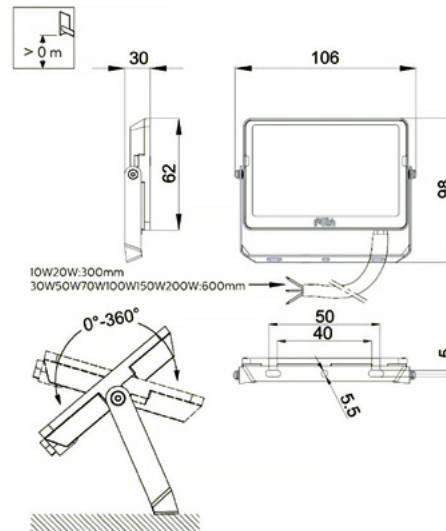
Application Conditions

Performance ambient temperature Tq	-
------------------------------------	---

Product Data

Full product code	-
Order product name	PILA BVP008 10W 4000K
EAN/UPC - Product	87195145329899
Order code	-
Numerator - Quantity Per Pack	1
Numerator - Packs per outer box	1
Material Nr. (12NC)	911401820583
Net Weight (Piece)	-

Dimensional drawing





PILA Floodlights

PILA BVP008 20W 3000K

PILA Floodlights – LED Module, 20 W – 3000 K

Benefits

- Energy Saving
- Robust luminaire
- Reliable quality



Product data

General information

Light source color	830 warm white
Light source replaceable	-
Driver included	Yes
Emergency Lighting	-
Optic type	-
Control interface	No
Connection	Flying wire
Protection class IEC	Safety class I
Mounting	-
CE mark	Yes
EU RoHS compliant	Yes
Constant light output	No
Number of products on MCB of 16 A type B	-
Service tag	-
Product family code	BVP008 [PILA Floodlights]

Operating and Electrical

Input Voltage	220-240 V
Input Frequency	50 to 60 Hz
Inrush current	-
Inrush time	-
Power Factor (Min)	> 0.9
Surge Protection (KV)	-

Controls and Dimming

Dimmable	No
Motion sensor	No

Mechanical and Housing

Housing Material	Aluminium
Optical cover/lens material	Glass
Optical cover/lens finish	-
Overall length	141 mm
Overall width	28 mm
Overall height	122 mm
Color	Black
Accessory	-

Approval and Application

Ingress protection code	IP65
Mech. impact protection code	IK06

Initial Performance (IEC Compliant)

Initial luminous flux (system flux)	1800 lm
Initial LED luminaire efficacy	90 lm/W
Init. Corr. Color Temperature	3000 K
Init. Color Rendering Index	> 80
Initial chromaticity	-
Initial input power	20 W

Over Time Performance (IEC Compliant)

Lifetime L70B50	35,000 h
-----------------	----------

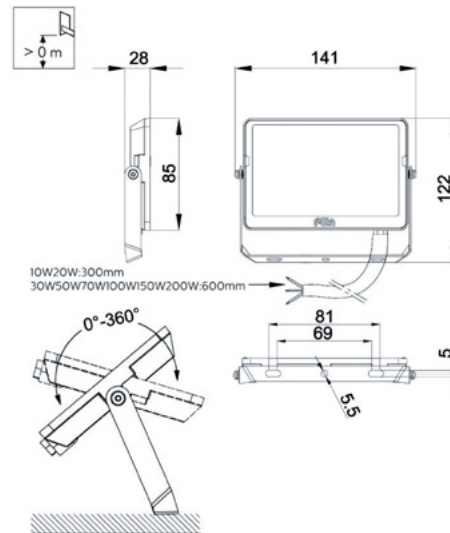
Application Conditions

Performance ambient temperature Tq	-
------------------------------------	---

Product Data

Full product code	-
Order product name	PILA BVP008 20W 3000K
EAN/UPC - Product	87195145329399
Order code	-
Numerator - Quantity Per Pack	1
Numerator - Packs per outer box	1
Material Nr. (12NC)	911401811583
Net Weight (Piece)	-

Dimensional drawing





PILA Floodlights

PILA BVP008 20W 4000K

PILA Floodlights – LED Module, 20 W – 4000 K

Benefits

- Energy Saving
- Robust luminaire
- Reliable quality



Product data

General information

Light source color	840 neutral white
Light source replaceable	-
Driver included	Yes
Emergency Lighting	-
Optic type	-
Control interface	No
Connection	Flying wire
Protection class IEC	Safety class I
Mounting	-
CE mark	Yes
EU RoHS compliant	Yes
Constant light output	No
Number of products on MCB of 16 A type B	-
Service tag	-
Product family code	BVP008 [PILA Floodlights]

Operating and Electrical

Input Voltage	220-240 V
Input Frequency	50 to 60 Hz
Inrush current	-
Inrush time	-
Power Factor (Min)	> 0.9
Surge Protection (KV)	-

Controls and Dimming

Dimmable	No
Motion sensor	No

Mechanical and Housing

Housing Material	Aluminium
Optical cover/lens material	Glass
Optical cover/lens finish	-
Overall length	141 mm
Overall width	28 mm
Overall height	122 mm
Color	Black
Accessory	-

Approval and Application

Ingress protection code	IP65
Mech. impact protection code	IK06

Initial Performance (IEC Compliant)

Initial luminous flux (system flux)	1900 lm
Initial LED luminaire efficacy	95 lm/W
Init. Corr. Color Temperature	4000 K
Init. Color Rendering Index	> 80
Initial chromaticity	-
Initial input power	20 W



PILA LED Floodlights

Over Time Performance (IEC Compliant)

Lifetime L70B50	35,000 h
-----------------	----------

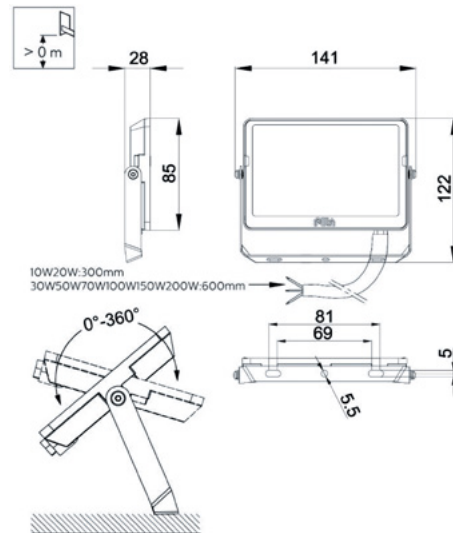
Application Conditions

Performance ambient temperature Tq	-
------------------------------------	---

Product Data

Full product code	-
Order product name	PILA BVP008 20W 4000K
EAN/UPC - Product	87195145329799
Order code	-
Numerator - Quantity Per Pack	1
Numerator - Packs per outer box	1
Material Nr. (12NC)	911401821583
Net Weight (Piece)	-

Dimensional drawing





PILA Floodlights

PILA BVP008 50W 3000K

PILA Floodlights – LED Module, 50 W – 3000 K

Benefits

- Energy Saving
- Robust luminaire
- Reliable quality



Product data

General information

Light source color	830 warm white
Light source replaceable	-
Driver included	Yes
Emergency Lighting	-
Optic type	-
Control interface	No
Connection	Flying wire
Protection class IEC	Safety class I
Mounting	-
CE mark	Yes
EU RoHS compliant	Yes
Constant light output	No
Number of products on MCB of 16 A type B	-
Service tag	-
Product family code	BVP008 [PILA Floodlights]

Operating and Electrical

Input Voltage	220-240 V
Input Frequency	50 to 60 Hz
Inrush current	-
Inrush time	-
Power Factor (Min)	> 0.9
Surge Protection (KV)	-

Controls and Dimming

Dimmable	No
Motion sensor	No

Mechanical and Housing

Housing Material	Aluminium
Optical cover/lens material	Glass
Optical cover/lens finish	-
Overall length	220 mm
Overall width	31 mm
Overall height	175 mm
Color	Black
Accessory	-

Approval and Application

Ingress protection code	IP65
Mech. impact protection code	IK06

Initial Performance (IEC Compliant)

Initial luminous flux (system flux)	4500 lm
Initial LED luminaire efficacy	90 lm/W
Init. Corr. Color Temperature	3000 K
Init. Color Rendering Index	> 80
Initial chromaticity	-
Initial input power	50 W



PILA LED Floodlights

Over Time Performance (IEC Compliant)

Lifetime L70B50	35,000 h
-----------------	----------

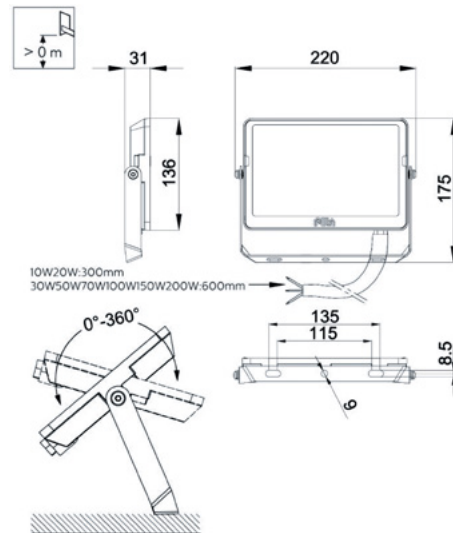
Application Conditions

Performance ambient temperature Tq	-
------------------------------------	---

Product Data

Full product code	-
Order product name	PILA BVP008 50W 3000K
EAN/UPC - Product	87195145329199
Order code	-
Numerator - Quantity Per Pack	1
Numerator - Packs per outer box	1
Material Nr. (12NC)	911401814583
Net Weight (Piece)	-

Dimensional drawing





PILA Floodlights

PILA BVP008 50W 4000K

PILA Floodlights – LED Module, 50 W – 4000 K

Benefits

- Energy Saving
- Robust luminaire
- Reliable quality



Product data

General information

Light source color	840 neutral white
Light source replaceable	-
Driver included	Yes
Emergency Lighting	-
Optic type	-
Control interface	No
Connection	Flying wire
Protection class IEC	Safety class I
Mounting	-
CE mark	Yes
EU RoHS compliant	Yes
Constant light output	No
Number of products on MCB of 16 A type B	-
Service tag	-
Product family code	BVP008 [PILA Floodlights]

Operating and Electrical

Input Voltage	220-240 V
Input Frequency	50 to 60 Hz
Inrush current	-
Inrush time	-
Power Factor (Min)	> 0.9
Surge Protection (KV)	-

Controls and Dimming

Dimmable	No
Motion sensor	No

Mechanical and Housing

Housing Material	Aluminium
Optical cover/lens material	Glass
Optical cover/lens finish	-
Overall length	220 mm
Overall width	31 mm
Overall height	175 mm
Color	Black
Accessory	-

Approval and Application

Ingress protection code	IP65
Mech. impact protection code	IK06

Initial Performance (IEC Compliant)

Initial luminous flux (system flux)	4750 lm
Initial LED luminaire efficacy	95 lm/W
Init. Corr. Color Temperature	4000 K
Init. Color Rendering Index	> 80
Initial chromaticity	-
Initial input power	50 W



PILA LED Floodlights

Over Time Performance (IEC Compliant)

Lifetime L70B50	35,000 h
-----------------	----------

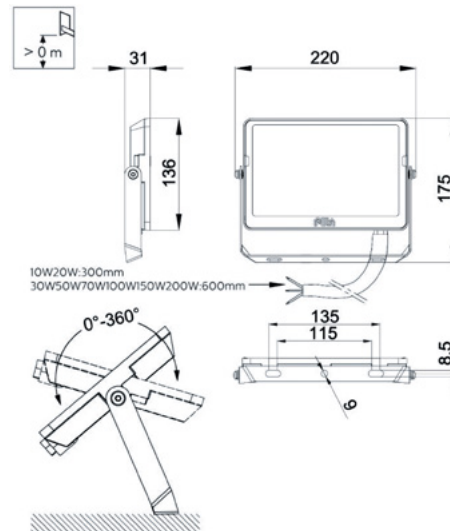
Application Conditions

Performance ambient temperature Tq	-
------------------------------------	---

Product Data

Full product code	-
Order product name	PILA BVP008 50W 4000K
EAN/UPC - Product	87195145329599
Order code	-
Numerator - Quantity Per Pack	1
Numerator - Packs per outer box	1
Material Nr. (12NC)	911401824583
Net Weight (Piece)	-

Dimensional drawing





PILA Floodlights

PILA BVP008 100W 4000K

PILA Floodlights – LED Module, 100 W – 4000 K

Benefits

- Energy Saving
- Robust luminaire
- Reliable quality



CRI



35,000 h



220-240 Vac



Safety Class



IP65



IK06



Product data

General information

Light source color	840 neutral white
Light source replaceable	-
Driver included	Yes
Emergency Lighting	-
Optic type	-
Control interface	No
Connection	Flying wire
Protection class IEC	Safety class I
Mounting	-
CE mark	Yes
EU RoHS compliant	Yes
Constant light output	No
Number of products on MCB of 16 A type B	-
Service tag	-
Product family code	BVP008 [PILA Floodlights]

Operating and Electrical

Input Voltage	220-240 V
Input Frequency	50 to 60 Hz
Inrush current	-
Inrush time	-
Power Factor (Min)	> 0.9
Surge Protection (KV)	-

Controls and Dimming

Dimmable	No
Motion sensor	No

Mechanical and Housing

Housing Material	Aluminium
Optical cover/lens material	Glass
Optical cover/lens finish	-
Overall length	319 mm
Overall width	36 mm
Overall height	245 mm
Color	Black
Accessory	-

Approval and Application

Ingress protection code	IP65
Mech. impact protection code	IK06

Initial Performance (IEC Compliant)

Initial luminous flux (system flux)	9500 lm
Initial LED luminaire efficacy	95 lm/W
Init. Corr. Color Temperature	4000 K
Init. Color Rendering Index	> 80
Initial chromaticity	-
Initial input power	100 W

Over Time Performance (IEC Compliant)

Lifetime L70B50	35,000 h
-----------------	----------

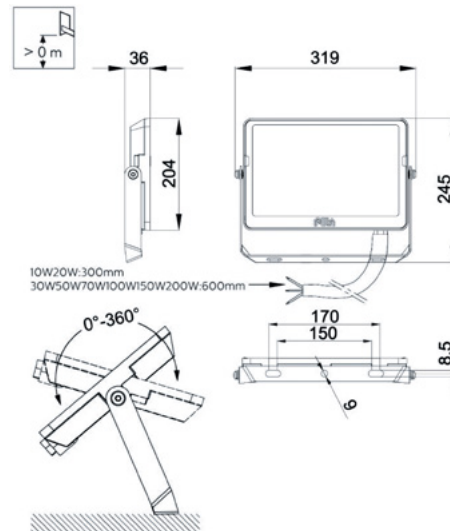
Application Conditions

Performance ambient temperature Tq	-
------------------------------------	---

Product Data

Full product code	-
Order product name	PILA BVP008 100W 4000K
EAN/UPC - Product	87195145329499
Order code	-
Numerator - Quantity Per Pack	1
Numerator - Packs per outer box	1
Material Nr. (12NC)	911401826583
Net Weight (Piece)	-

Dimensional drawing





PILA Floodlights

PILA BVP008 200W 4000K

PILA Floodlights – LED Module, 200 W – 4000 K

Benefits

- Energy Saving
- Robust luminaire
- Reliable quality



CRI



35,000 h



220-240 Vac



Safety Class



IP65



IK06



Product data

General information

Light source color	840 neutral white
Light source replaceable	-
Driver included	Yes
Emergency Lighting	-
Optic type	-
Control interface	No
Connection	Flying wire
Protection class IEC	Safety class I
Mounting	-
CE mark	Yes
EU RoHS compliant	Yes
Constant light output	No
Number of products on MCB of 16 A type B	-
Service tag	-
Product family code	BVP008 [PILA Floodlights]

Operating and Electrical

Input Voltage	220-240 V
Input Frequency	50 to 60 Hz
Inrush current	-
Inrush time	-
Power Factor (Min)	> 0.9
Surge Protection (KV)	-

Controls and Dimming

Dimmable	No
Motion sensor	No

Mechanical and Housing

Housing Material	Aluminium
Optical cover/lens material	Glass
Optical cover/lens finish	-
Overall length	455 mm
Overall width	58 mm
Overall height	331 mm
Color	Black
Accessory	-

Approval and Application

Ingress protection code	IP65
Mech. impact protection code	IK06

Initial Performance (IEC Compliant)

Initial luminous flux (system flux)	19 000 lm
Initial LED luminaire efficacy	95 lm/W
Init. Corr. Color Temperature	4000 K
Init. Color Rendering Index	> 80
Initial chromaticity	-
Initial input power	200 W



PILA LED Floodlights

Over Time Performance (IEC Compliant)

Lifetime L70B50	35,000 h
-----------------	----------

Application Conditions

Performance ambient temperature Tq	-
------------------------------------	---

Product Data

Full product code	-
Order product name	PILA BVP008 200W 4000K
EAN/UPC - Product	87195145329399
Order code	-
Numerator - Quantity Per Pack	1
Numerator - Packs per outer box	1
Material Nr. (12NC)	911401828583
Net Weight (Piece)	-

Dimensional drawing

