

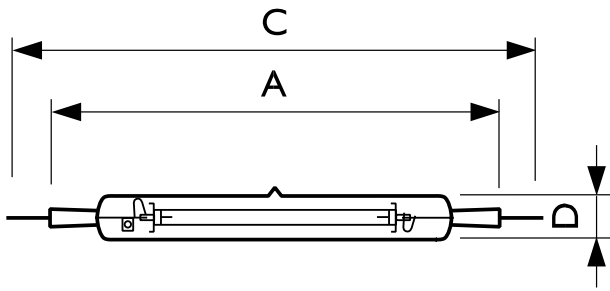
HPS PILA 100W 400V EL DE



Specifications – HPS Pila 1000W 400V EL DE

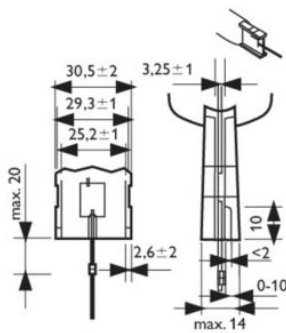
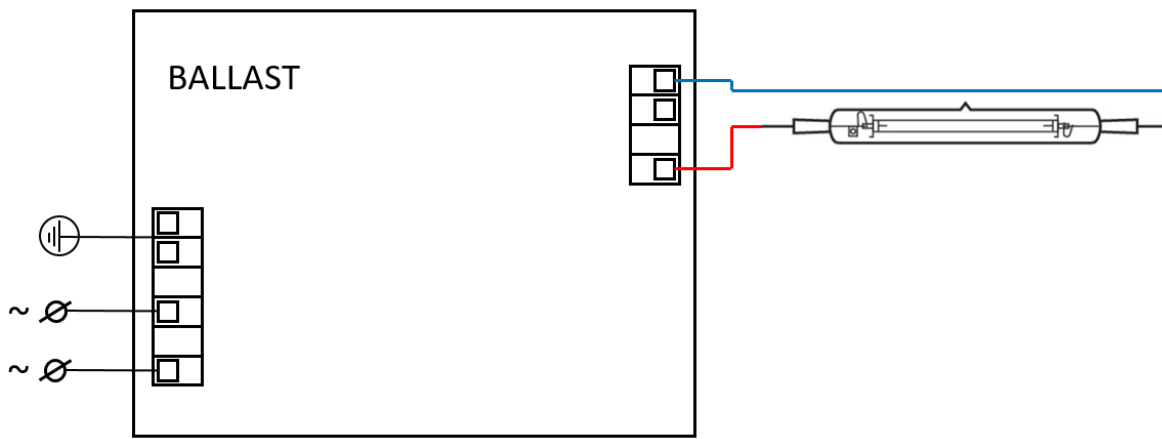
Product description	HPS Pila 1000W 400V EL DE
Cap-Base	K12X30S
Operating Position	P (Parallel or Horizontal (HOR))
Life to 10% Failures (Nom)	10000 h
System Description	electronic
Color Code	220 (CCT of 2000 K)
Photosynthetic Photon Flux (PPF) max	2100 (1050W)
Photosynthetic Photon Flux (PPF) nom	2040 (1015W)
PPF Maintenance 4000 h	98%
PPF Maintenance 8000 h	96%
PPF Maintenance 10000 h	95%
Chromaticity Coordinate X (Nom)	531
Chromaticity Coordinate Y (Nom)	419
Correlated Color Temperature (Nom)	2000 K
Luminous Efficacy (rated) (Nom)	147 lm/W
Color Rendering Index (Nom)	35
Power (Max)	1050W
Power (Nom)	1015W
Voltage (Min)	215 V
Voltage (Nom)	235 V
Dimmable	Yes
Energy Efficiency label (EEL)	A++
Mercury (Hg) Content (Nom)	35 mg
Bulb Temperature (Max)	700 ° C

Dimension – HPS PILA 1000W 400V EL DE



Product	D (max)	C (max)	A
HPS Pila 1000W 400V EL DE	33.5mm	394 mm	325mm

Wiring diagram – PILA Horti Driver and HPS PILA 1000W 400V EL DE lamp



This document contains information relating to the Pila lamps portfolio, intended for companies who may be interested in developing their product offering. Note that the information provided is subject to change. Pila lamps does not give any representation or warranty as to the accuracy or completeness of the information included herein and shall not be liable for any action in reliance thereon. The information presented in this document is not intended as any commercial offer and does not form part of any quotation or contract.