

BrightSites

by  Signify

BrightSites C7007 luminaire with Gbit technology

Time to unlock the wireless connectivity potential of the lighting grid

Benefits:

- The wireless backhaul you need for fixed wireless access, 4G/5G densification, cameras and IoT broadband applications
- Build a high capacity “neutral host” network without trenching, leveraging the full capacity of existing fiber
- Good application coverage thanks to wide range of optics and tunable flux



BrightSites C7007 luminaire with Gbit technology

BrightSites C7007 luminaire with Gbit technology is a new 60 GHz mesh product that turns lighting grids into high-bandwidth communication infrastructures. It offers the advantages of a high-quality lighting system and mmWave spectrum - multi-gigabit capacity, immunity to interference and massive amounts of available spectrum. All in an easy-to-deploy solution for scalable, stress-free, broadband coverage across neighborhoods and business parks.

Lighting Specifications

Lumen output	6000 lm – 12000 lm
Color temperature	3000 K or 4000K, other CCT options on request
Optics	IES Type 2, 3, 4, 5. Optional flat lens, sag lens, drop bowl lens
CRI	>70 min, >75 typical

RF Specifications

Topologies	PtP, PtMP, Mesh
Sectors	4x90° sector for 360° coverage Horizontal scanning: 90° Vertical scanning: 20°
Frequency & Duplexing	57-66 GHz, TDD/TDMA
Channels & Width	4x non-overlapping channels, 2,160 MHz wide
Network Synchronization	Onboard
Radio OTA Rate	Up to 3,800 Mbps per sector
Aggregate Throughput	Up to 3,800 Mbps per sector Up to 15 Gbps per node
Maximum Range	1,000ft / 300m
Ethernet Features	IEEE 802.1d transparent bridging. Provider bridge - VLAN & VLAN stacking.

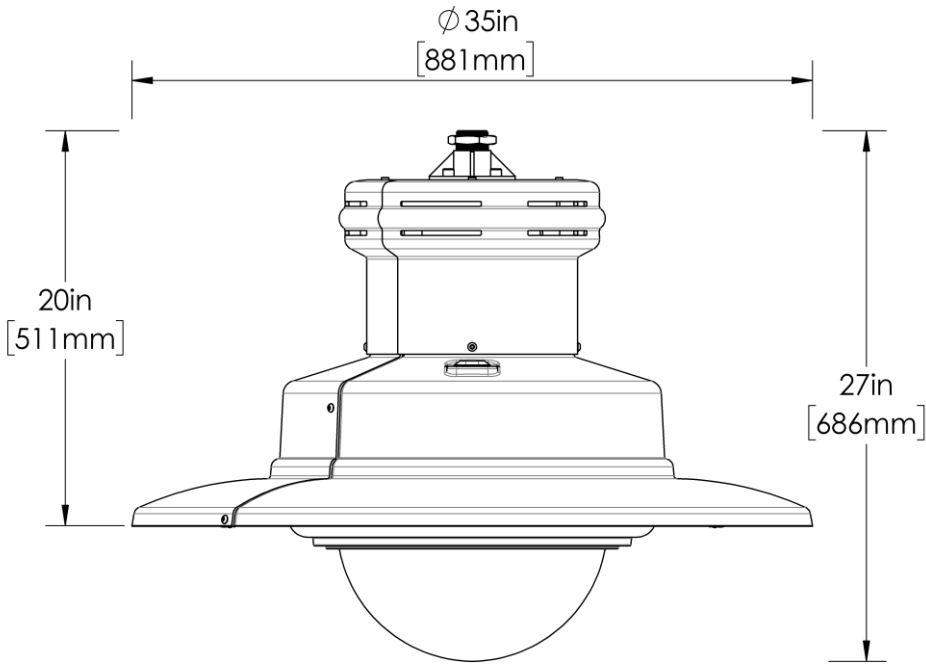
Electrical Specifications

Input voltage	220/240VAC, 50-60 Hz (EU) 120-277VAC, 50-60Hz (NAM)
Power consumption	Lighting: 60W - 80W RF: 55W no PoE Out, 90W with 35W PoE Out
Protection class	Surge protection: 10 kV
Dimming	Via astroclock, Interact City or other controls

Other Specifications

Operating Temperature	-40° to 95°F (-40° to +35°C)
Weight	25 kg
Dimension (diameter x height)	See image below
Material	Die cast aluminium, UV-stabilized ABS
Impact Rating	IK08
Ingress Protection	Outdoor (IP66), rated for wet locations
Mounting Types	BSP Pendant Arm mount
PoE Out	M-12 socket for PoE Out up to 35W (IEEE 802.3bt)
Security	AES 128-bits OTA, GUI over HTTPS, CLI over SSH.

Dimensions



Network Architecture

