



Technical specification

General Specifications

Mode of operation	Point-to-Point
Standards compliance	ITU-T G.9991 (G.vlc)
Transmission mode	TDMA with dynamic bandwidth allocation
Modulation	OFDM
Latency	Typ. <1,5 ms / Max. < 3 ms
Network protocol	Ethernet (transparent)
Security	128-bit AES CCMP Encryption
Management	GUI based Web-Interface
Quality of Service	Packet prioritization (8 levels)
Optical transmitter	Infrared LED
Wavelength	820 nm
LED power classification	Photobiological safety Risk Group 0 (Risk Group Exempt) EN 62471:2009
Transmit angle	(FWHM) 1 degrees
Receive angle	(FWHM) 4 degrees
Device powering	Power over Ethernet IEEE 802.3af PoE Type-1 PoE injector not included
Power consumption	max. 5.5 W (full traffic load) @Tamb 25°C
Network connections	M12 8-pin, X-coded connector (Female)

Operating temperature	-25°C to +55C
Protection class	IP65
Regulatory compliance	CE, UKCA, FCC 47CFR Part 15B, CAN ICES-003 (B) / NMB-003 (B) EN 62368-1: 2020, EN 55032: 2015, EN61000-6-2:2019, EN50581:2012, MIL STD 810H Annex C, category 4
Optical alignment	RSSI Indicator, (Optional vizer and tripod)
Mounting features	Bracket for Tripod mount (included in flight case kit)
Weight Fast Field Data Link (excl mounts & options)	730 gram
Dimensions W x H x D (cm), (excl mounts & options)	<10.3 x 15x 10
Casing Material	Alloy

Data rate

Data rate High Speed Mode	40 - 940 Mbps
Data rate Robust Mode	40 - 280 Mbps
Notes	<i>Measurement conditions:</i> <ul style="list-style-type: none"> • Clear line of sight • Both units are perfectly aligned

Data rate

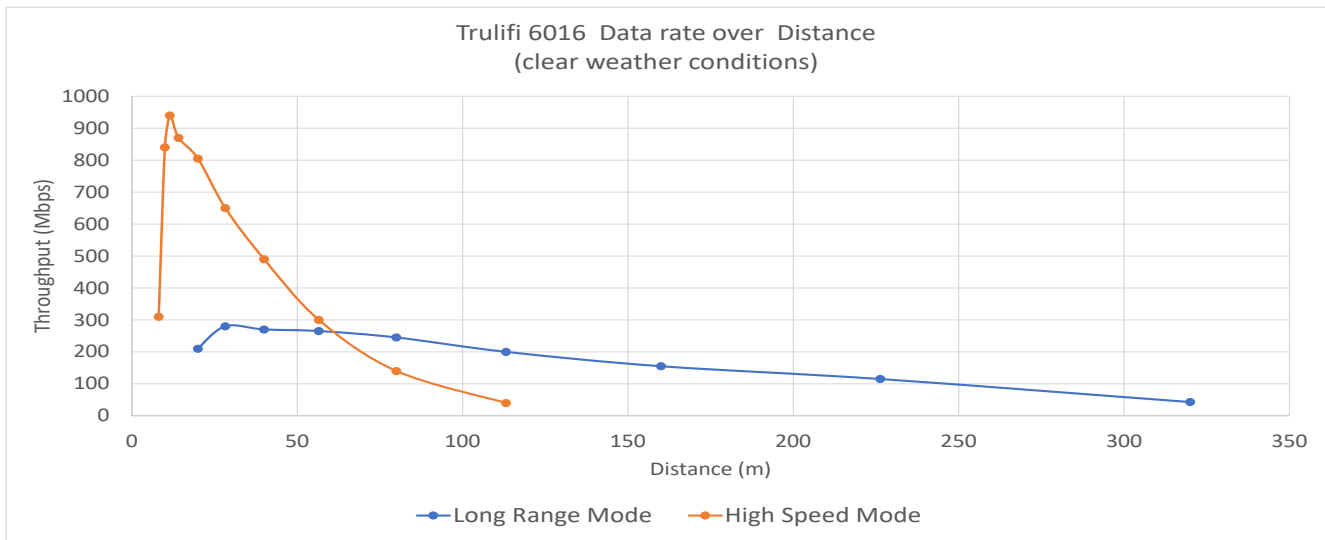


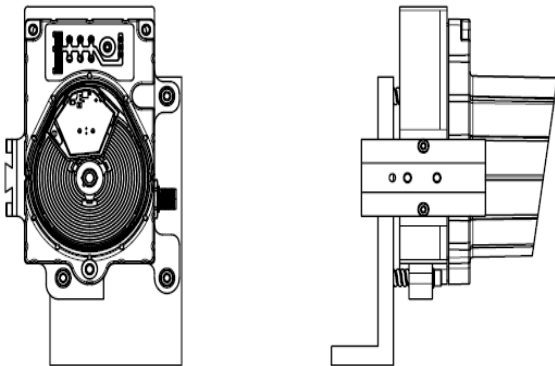
Figure 1: Data rate

The data rate depends on the alignment and distance between the Access Point and End Point, as depicted in Fig 1. The Trulifi 6016 can support 2 modes of operation, optimizing between distance and data rate.

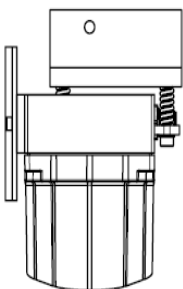
Operating distance and coverage area

Operating distance High Speed Mode	Min: 10 m Max: 110 m
Operating distance Long Range Mode	Min: 20 m Max: 300 m

Mechanical outline*



* Brackets optional



Other System Contents - delivered in pelicase

Pelicase dimensions	(LxWxH) (85 x 60 x 50) cm, .
Pelicase weight (incl. content)	33 kg
Pelicase Content (subject to agreement)	1 set Fast Field Data Link (2pcs) 2 x tripods, 2x PoE injector 2 x Hawke Vizor, hammer, pegs,
Tripod	3-Leg section Max height 180 cm
Vizor	Hawke Vantage 3-9x40 Optics 40mm Length 25,4 cm