



## VitaUp

VitaUp is designed to support your body's natural vitamin D production, providing a low dose of UVB that is both safe and proven effective.

Sufficient vitamin D levels are key to support strong bones and teeth, support immune function, and even mood and cognitive function.

There are two kits available: the VitaUp Base kit, with two modules, one 24 V driver and four holders (two for recessed installations and two for surface mounted installations).

the VitaUp Extension kit is for additional VitaUp modules and the holders, to cover larger areas.

### Benefits

Low-intensity UVB exposure in line with safety requirements provided in standard IEC 62471-6

Supports Vitamin D generation in a natural form

Enabling daily UVB dosage throughout the darker months of the year

Easy to install

### Features

Low-intensity UVB exposure in line with safety requirements provided in standard IEC 62471-6

Rated RGO (no risk) for skin/eye safety

Features an automatic 8-hour shutoff and built-in proximity sensors to ensure total safety and convenience

Interact and DALI compatible through isolated port

24V CV input

### Kits

910505106682	VitaUp Base Kit	VitaUp module	2 pcs
		24V transformer	1 pc
		Recessed holder	2 pcs
		Surface mounted holder	2 pcs
910505106683	VitaUp Extension Kit	VitaUp module	2 pcs
		Recessed holder	2 pcs
		Surface mounted holder	2 pcs

### VitaUp Base



### VitaUp extension



# VitaUp module

## General information

Radiant power	13 mW
Peak wavelength	307.5 nm
Radiation angle	120°
Photobiological Safety	RG0 @typ 50 cm (IEC62471-6)
Lifetime	> 25 000 hrs
Control	DALI, SR
Ambient temperature range	-10 to +45 °C
Storage temperature	-20 to +85 °C
Ingress protection code	IP20
CE mark	Yes
ENEC mark	Yes
RoHS/REACH	Yes



## Operating and electrical

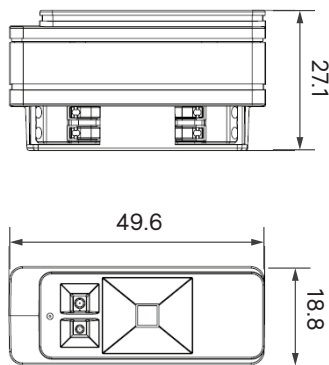
Input voltage	24 V
Input frequency	50 to 60 Hz
Input current	0.033 A
Inrush current	24.0 A
Power consumption	0.85 W

## Mechanical and housing

Housing color	White
Net weight per piece	16 g

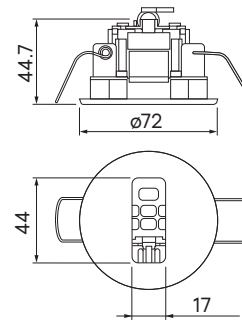
All values refers to one VitaUp module

## Module

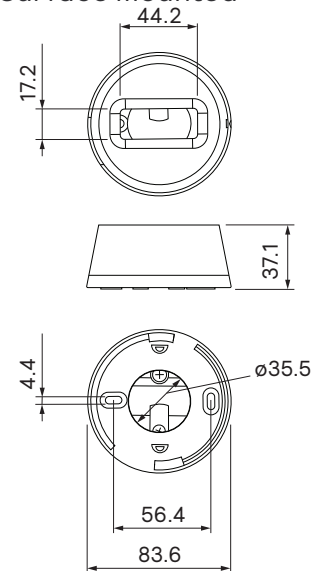


## Holders

### Recessed



### Surface mounted



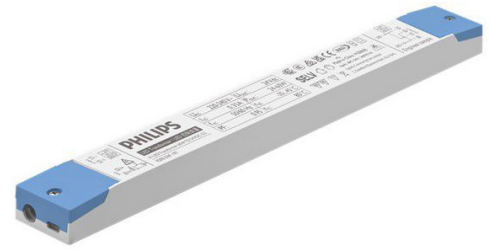
## Layout design

Area [m <sup>2</sup> ]	Q.ty [VitaUp modules]	Spacing [m]	Kits q.ty	
			Base kit	Ext
< 6	min. 2	0.8	1	/
6 - 16	min. 4	1	1	1
> 16	1 per 4 m <sup>2</sup>	1.8	1	tbd

# Transformer 24 V

## General information

Name	Xi LED Transformer 60W TD 24VDC G2
Lifetime	50 000 hrs
Ambient temperature range	-25 to +45 °C
Storage temperature	-25 to +85 °C
Ingress protection code	IP20
Warranty period	5 years
CE mark	Yes
ENEC mark	Yes
VitaUp modules	up to 20 pcs



## Operating and electrical

Input voltage	220...240 V ac
Input frequency	50 to 60 Hz
Input current	0.33 A
Inrush current	35.0 A
Products per MCB (type B 16A)	18 pcs
Output power	60 W

## Mechanical and housing

Dimensions (LxWxH)	350x30x18 mm
Net weight per piece	178 g

