



Signify

TownTune

Conical Comfort Bowl

Extending the home
experience to the street



Contents

1. Meet TownTune
2. Application areas
3. Installation, service and maintenance
4. Service tag
5. Optimized lighting performance
6. Interact City
7. Product specification



Meet the TownTune family

The latest family extension
TownTune Conical Comfort Bowl



TownTune Conical Comfort Bowl



Standard

BDP276

Standard version



Performance

BDP275

Performance version



Top cone

BDP276

Performance version with decorative top cone



Top dome

BDP278

Performance version with decorative top dome

TownTune Conical Comfort Bowl

- Conical design
- GentleBeam
- Modular family
- Component communality accross the family
- Gear cover on top
- Zahga-Socket

Lowest investment versus total cost of ownership

- BDP275 TownTune CCB plus achieves best TCO results on performance
- BDP276 TownTune CCB standard for minimized investment



Application areas

The TownTune application areas include

- Office and industrial areas
- Pathways
- Parks
- Squares
- Residential area



Installation, service and maintenance



Gear cover on top



Bayonet whistle connector in the spigot



SR Zhaga top socket
Optional



Ø60mm or
Ø76mm spigot

High impact resistance and ingress protection

IK10

GentleBeam bowl in impact resistant UV stabilised Polycarbonat

IP66

Sealing against water and dust ingress



Signify Service tag

- A unique QR code-based LED luminaire asset identification system
- Providing detailed information on specification and spare parts, simply by scanning the code on the packaging or luminaire with the Signify Service tag app.
- The system simplifies the installation and maintenance of lighting infrastructure by utilizing cloud technology.
- Service tag also plays a key role in the circular design of our lighting solutions, as it extends their service life and reduces maintenance efforts, ensuring efficient servicing and avoiding waste.



Learn more at [signify.com/global/service-tag](https://www.signify.com/global/service-tag)



Easy installation
and commissioning



Simplified
maintenance



Asset
management

Signify Service tag: Installation



#1. Download the app

Download the Service tag app from the App store or Play store on your mobile device (iOS or Android).



#2. Register the luminaire

Register the luminaire by simply scanning the QR code on the packaging or luminaire. The system automatically identifies the type of each luminaire.



#3. Create a group QR code

If you have multiple luminaires, it's possible to use the Service tag app to combine individual luminaires into a group. Each group will have its own unique group QR code.



#4. Luminaire information

Scan the QR code on your luminaire for easy access to the installation manual.

Maintenance



#1. Spare parts identification

Use the Service tag app to view a luminaire's spare parts, which contains all necessary information for quick ordering.



#2. Spare parts programming

Quickly program a spare driver using the Service tag app—without needing a faulty driver on hand. Scan the QR code of a luminaire with your device, put your mobile device on the spare driver, press “Program” and the spare driver receives the right settings for this specific luminaire.



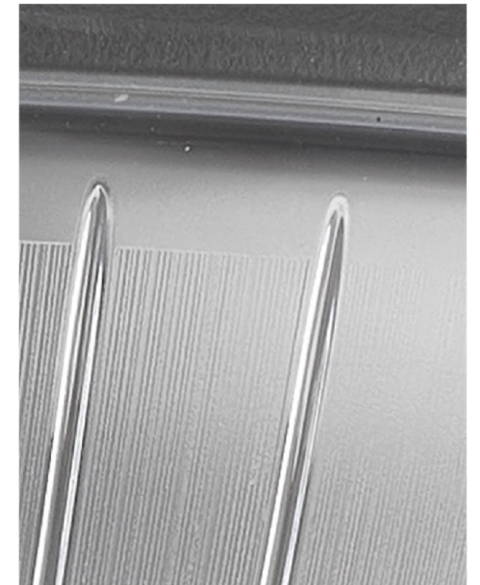
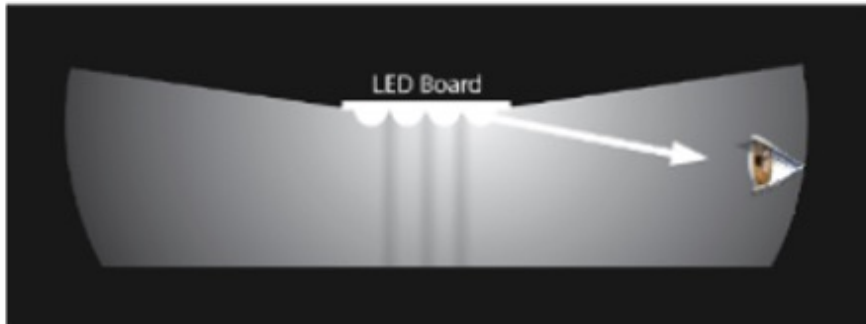
Learn more at
signify.com/global/service-tag

©ignify

©signify

GentleBeam comfort lighting experience

- Focus on discomfort glare
- Optical distribution
- GentleBeam technology
- GentleBeam has a comparative low loss in performance, energy efficacy and lighting distribution. (5-10% versus 10-30%)



Dicomfort glare, D classification

TownTune Conical Comfort Bowl can achieve **D4 and D5 classes typically**, and sometimes even D6 classification, depending on the optic type and flux in use.

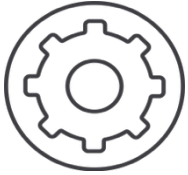
Table A.2 – Glare index classes

Class	D0	D1	D2	D3	D4	D5	D6
Glare index maximum	-	7000	5500	4000	2000	1000	5000

The glare index is $I \times A^{-0.5}$, unit cd/m, where:

- I Is the maximum value of the luminous intensity (cd) in any direction for the downward vertical;
- A Is the apparent area (m^2) of the luminous parts of the luminaire on a plane perpendicular to the direction of I . If the direction is I , parts of the light source are visible, either directly or as images, the area A shall include only these parts.



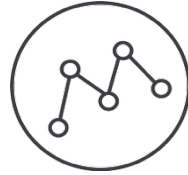


Standardized optics

- A perfect application fit

A wide range of light distributions ensure a perfect fit for many applications.

The optics offer flexibility, enabling standardization over applications with a good performance across a wide range of geometries – as well as design parameters such as tilt and overhang. The optics comply with national and European road lighting standards.



Standard engines

- High performance across portfolio

Using a standard engine across different luminaire ranges means you can optimally benefit from the latest LED upgrades without changing light distributions, so design continuity is assured. Standard flux packages are pre-defined across product ranges. Flux and thereby energy minimization is achieved by using best possible lumen maintenance (up to L98 or CLO solutions). The LEDgine optimized engine benefits from more LEDs per area contributing to more compact and cost effective solutions.

Standard engines minimize spare components which are easy to configure by using our Service tag application.



Tailor-made solutions

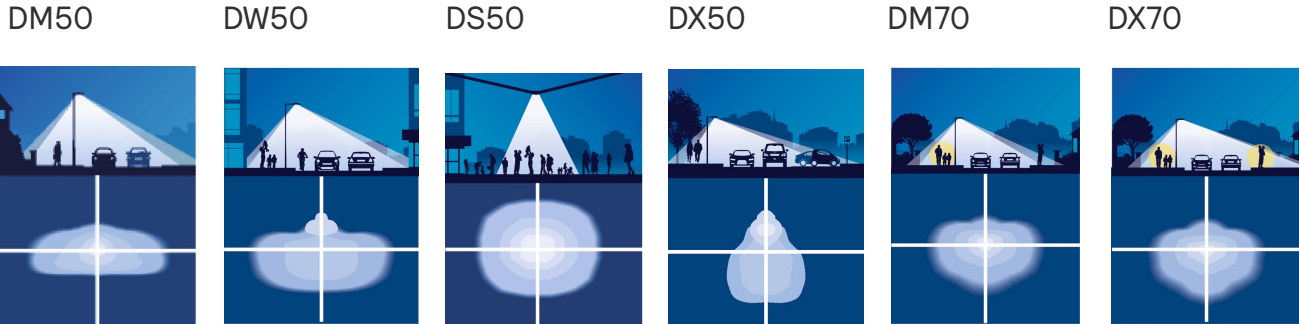
- Tuning to project preferences

We can support you with our exclusive online tools to customize solutions which of course can become your standard!

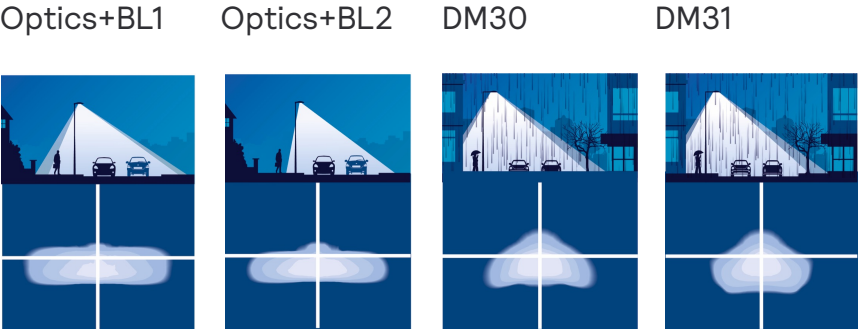
Using **a variety of LED counts it enables to build the exact required flux** in a perfect balance between energy consumption, luminaire cost/type and operational life. Based on project parameters the best optical fit can be selected and when required **light distributions can be customized for best application fit** and to maximize energy savings.

Optics

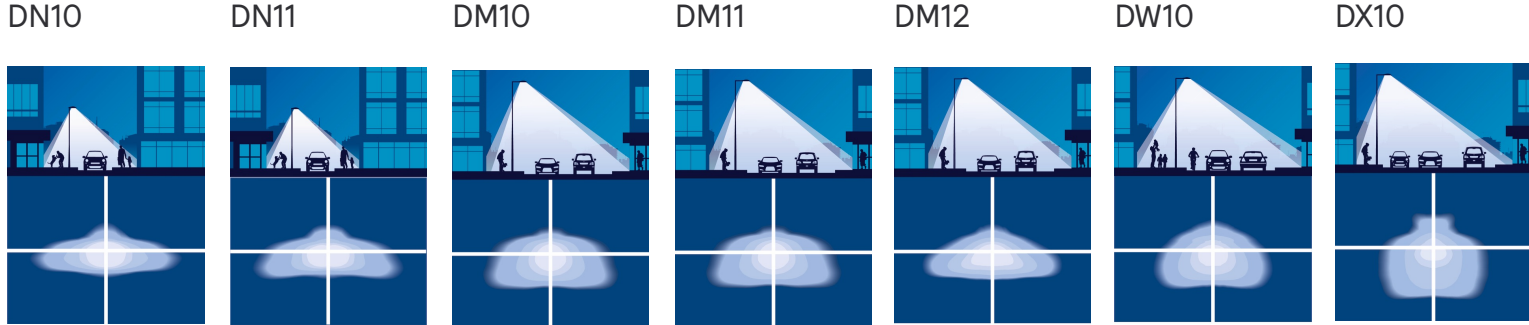
Illuminance classes (P, C)



Dedicated applications



Luminance classes (M)



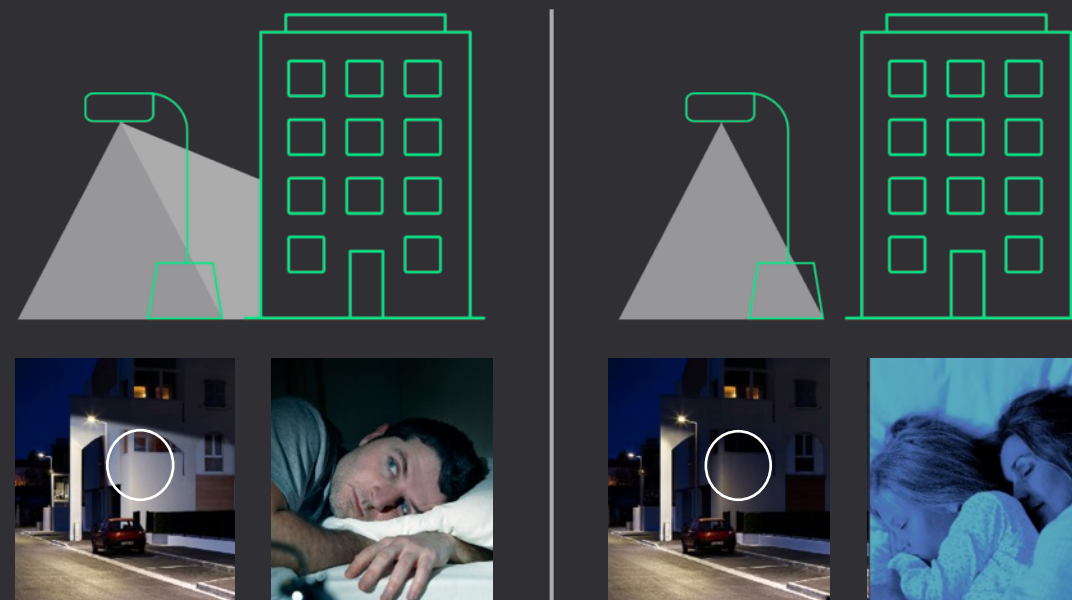
Lighting for both nature and people

ClearStar: Minimizing night-time disturbance



Black light louver

(Retro) Fitting a back light louver will reduce residents complaints concerning obtrusive light. The louver can be assembled in factory when ordering. Retro-fitting the louver in the field, or replacing a light source requires the luminaire to be dismantled.



Interact for smart lighting in city applications

Interact City lighting management software turns your street lighting into a connected network capable of hosting sensors and other IoT enabled devices. It enables you to tap into a wide range of both lighting and non-lighting benefits such as dimming, presence detection, noise or air quality monitoring, and incident detection.

Smart

- Benefit from remote control and monitoring and reporting capabilities
- Use data to make better informed decisions more quickly

Sustainable

- Identify opportunities for further energy savings by dimming, scheduling and zoning
- Optimize the lights' power factor to minimize waste and reduce demand on the power grid

System ready

- The Open APIs of the system allow Interact City lighting management software to be integrated into your other city management systems
- This enables your existing partners or independent third parties to use it as a platform for future innovation

[Learn more about Interact](#)

This is all you need for your smart lighting system



TownTune Conical Comfort Bowl
equipped with optional Zhaga-Socket



Software applications

Product specifications

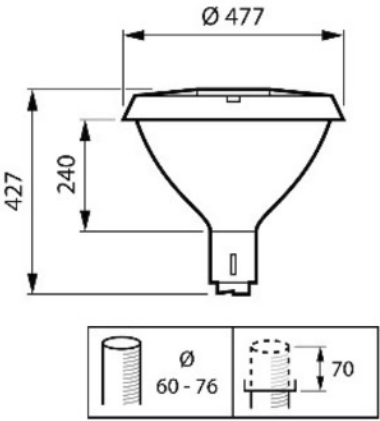
Product specifications

Type	Plus BDP275, Performance version with Tyo frame Std. BDP276, Standard version	Plus BDP277, Performance version with decorative top cone Plus BDP278, Performance version with decorative top dome
Light source	LEDgine standardized LED-module	
System power	9.5–60W, depending on flux and color temperature	
Luminous flux (source flux) (x100 = Lm)	Plus 114–126 in 740 and 108–119 in 730, depending on flux	Std. 109–121 in 740 and 104–114 in 730, depending on flux
Optics	Distribution narrow: DN09/10/11/50 Distribution medium: DM10/11/12/13/30/31/32/33/50/52/65/70	Distribution wide: DW10/50/52/65, DX10/50/51/52/65 Distribution symmetrical: DS50/51
Optical option	Back light control louver BL2 (not for DS50/51, DW52 or DX50/51)	
Control system input	Depending on driver choice, DALI	
Dimming	LineSwitch, DynaDimmer, LumiStep	
Group control	Coded mains	
Connectivity	System ready with Zhaga-SR socket on top (SRT)	Including Interact SR OLC
Material	Spigot, housing and gear cover: high-pressure die-cast aluminum (ADC1)	Bowl: Impact resistant UV stabilized clear polycarbonate with GentleBeam structure for increased comfort (PCS)
Color	DGR (dark grey)	
Color option	Selection of (RAL) colors on request	
Ingress protection	IP66 with integrated breathing device	
Impact protection	IK10	
Weight	7.7 kg without optional accessories	
Correlated color	Std. 722/727/730/470/830/827/840/757	
Color rendering index	70 or 80	40 or 50 in combination with ClearStar optics

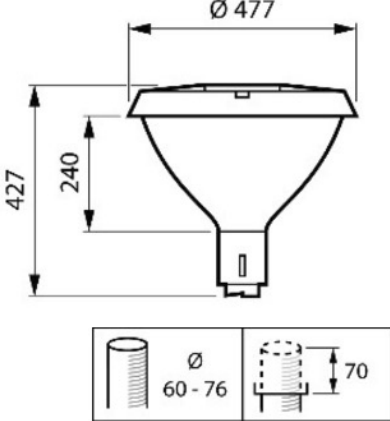
Maintenance of lumen output at 100,000 hours	Plus L96–L98, depending on flux Std. L95–L98, depending on flux	
Operating temperature range	-40 up to +50 °C (at extreme ambient temperatures the luminaire might automatically dim down to protect components)	
Driver	Integrated programmable LED driver, type Xi SR, FP, LP or BP	
Power/Data supply	Titanium full prog, System ready or coded mains	
Mains voltage	220–240V / 50–60 Hz	
Surge protection	6kV standard, option to add 10kV surge protection (SRG-10 or SDM10 for Class II)	
Inrush current driver	22W: 15A / 295µs, 40W: 21A / 225µs, 75W: 43A / 260µs	
Options	Constant light output (CLO), also possible in combination with dimming and connectivity options Electrical safety Class I or II StarSende RF or Zhaga-SR socket	Factory fitted cable, 4, 5, 6, 7 or 8 meters exterior length. Mini photocell for Zhaha-SR socket 7-pin nema socket Driver choice from fixed output to System-ready depending on DIM requirements
Maintenance	Driver: access by removing the gear cover on top	LED engine: maintenance in (local) workshop only
Installation	Post-top mounting: Axial entry 62 or 76mm Connection: Bayonet whistle connector with integrated M20 gland, with integrated strain relief for cable Ø 6–12mm 2 x M8 mast fixation bolt Recommended mounting height: 4 to 6 meters	Max. SCx: BDP275/276: 0.107 m ² BDP277 (top cone): 0.167 m ² BDP278 (top dome): 0.146 m ²
Accessories	Spigot size reduction adapter from Ø 76mm to Ø 60mm Special adapter for pole-top Ø 90mm to fit luminaire with spigot Ø 62mm	Top accessory cone or dome, covering Interact City OLC when used
ServiceTag	Through app access to spare part information	

Dimensional drawings

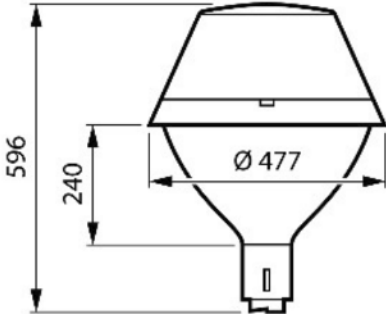
TownTune CCB



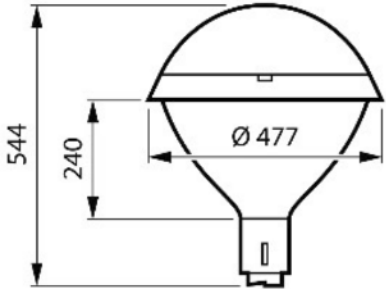
BDP275/276



BDP277 (with cone)



BDP278 (with dome)



You and Signify – a reliable partnership

Signify is the world leader in connected LED lighting systems, software and services. We proudly bring to market the best lighting brands in the world, including Signify, Philips and Interact.

We believe in close cooperation before, during, and after every project. Our local teams provide the support and information you need—with flexible, on-time delivery and reliable product availability.

To help you stay ahead, the [Signify Lighting Academy](#) offers a comprehensive range of educational resources to grow your expertise and earn certification.

Get more info on our products, services and tools:

[signify.com/installer](https://www.signify.com/installer)

[signify.com/specifier](https://www.signify.com/specifier)

Our global brands

 Signify

Signify represents our commitment to sustainable innovation. As our leading brand for connected lighting systems, luminaires and components for the specification project business, Signify solutions serve the segments where we collaborate most closely with our customers.

 Signify interact

Signify Interact is our IoT software platform for managing smart lighting systems and unlocking the value of the data they collect. Easy to install and configure, Interact supports a wide range of applications—from small offices to entire cities.

PHILIPS

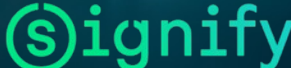
Philips stands for quality and energy efficiency in lighting. It is our leading brand for innovative, off-the-shelf lighting products for professionals and consumers alike.

Get into pole position with high-performance, energy-efficient LED



Signify is Official Lighting Partner of
Mercedes-AMG PETRONAS F1 Team

Official Lighting Partner

 Signify



 AMG
PETRONAS
FORMULA ONE TEAM

@signify

the meaning of light