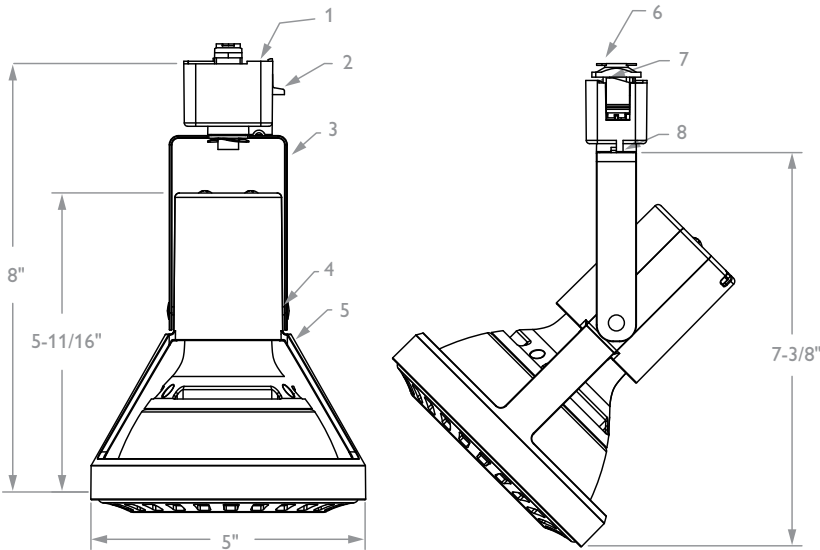




Project: _____
 Location: _____
 Cat.No: _____
 Type: _____
 Lamps: _____ Qty: _____
 Notes: _____



Description

Minimal form specifically designed to create close fit with LED lamps, with cleanly miniaturized detailed yoke and ring-shaped lampholder. Front re-lamping for easy maintenance. Unit adjusts horizontally up to 350°, vertically up to 90°.

Ordering guide

Catalog No.		Finish
9038N	PAR38 gimbal ring	WH Matte White
		BK Matte Black
		AL Aluminum

Lamping: 120W PAR38 maximum. Order separately.
Track: Mounting compatible with all Lytespan Track Systems.

Features

- 1 Lytespan attachment fitting:** molded polycarbonate integral color fitter twists onto track and locks on.
- 2 Push tab:** molded polycarbonate, detaches unit
- 3 Yoke:** 3/4" x .05" steel
- 4 Tension spring washer**
- 5 Ring and socket cup:** molded polycarbonate
- 6 Moveable brass contact:** extends connection to 2nd circuit in Advent Lytespan Track
- 7 Polarity Keyway**
- 8 Pivot Mounting:** tensioned 350° stop

Finish

Black and white finished in molded PBT. Aluminum finish in wet paint. Matte White, also available in Black and Aluminum.

Material

PBT material to allow scratch free finish, more precise sizing to fit lamps, and miniaturized design.

Electrical

Porcelain socket, medium base, nickel-plated screw shell, no. 18 braided SF-1 leads with silicon sleeving.

Labels

cULus

Leadtime

All items are spec or service smart.

Light to go

Compatible configurations

Luminaire

9038NWH

