

Day-Brite

CFI

by Signify

Linear

OWL wraparound

2', 4', 8'
3000, 4000, 5000, or 7000lm



The Day-Brite / CFI OWL LED wraparound is the ideal surface mount general illumination luminaire for light commercial and residential applications. The high efficiency LED light engine provides exceptional performance coupled with quality visual light.

Project: _____
 Location: _____
 Cat.No: _____
 Type: _____
 Lamps: _____ Qty: _____
 Notes: _____

Ordering guide

Example: OWL240L840-UNV-DIM

Series	Length	Lumen Package ²	Color Temp.	Voltage	Driver
OWL			–	–	
OWL OW LED wraparound	2' 2' length	30L 3000 lumens 40L 4000 lumens	835 80 CRI, 3500K 840 80 CRI, 4000K 850 80 CRI, 5000K	UNV Universal voltage 120/277V 347 347V	Non-dim ⁴ 0-10v dimming driver SDIM ³ Step dimming to 40% input power EMLED ⁵ Integral emergency battery pack GLR Fusing, fast blow
	4' 4' length	40L 4000 lumens			
	8' 8' length	50L ³ 5000 lumens 70L ³ 7000 lumens			

Footnotes

- 1 8' tandem units are double nominal lumens shown. Available in 50L (10,000lm) and 70L (14,000lm) flux packages
- 2 Nominal total delivered lumens
- 3 SDIM option not available on 50L and 70L flux options
- 4 Non-Dim driver option available only on the 2' 3000lm OWL230L.
- 5 EMLED option not available for 347V 5000lm, 7000lm, 8' 10,000lm and 8' 14,000lm, and 2' models

Accessories (order separately)

- CS-400 – Rigid Canopy
- CS-500 – 42° Top Swivel Canopy
- CS-12 – 12" Stem
- CS-18 – 18" Stem
- CS-24 – 24" Stem
- CS-30 – 30" Stem
- CS-36 – 36" Stem
- CS-48 – 48" Stem
- MD360 – 120/277V field installed occupancy sensor
- MD360-347 – 347V field installed occupancy sensor

Stems 3/8" Trade Size (5/8" O.D).
 Will Work with 1/2" trade size K.O.'s.
 Locknuts included.

Replacement Lenses

- 2' OWLED824
- 4' OWLED848
- 8' OWLED848 (2/fixture)

Light to go

Compatible configurations

Luminaire

OWL440L835UNV
 OWL440L840UNV



OWL LED wraparound

2', 4', or 8', 3000, 4000, 5000, or 7000 lumens

Features

- Tapered shape provides appearance of reduced depth.
- Durable 100% frost acrylic lens shields LEDs from direct view.
- Unique 2' 4000lm configuration can displace a 4' 2x28W T5 fluorescent with 50% smaller carbon footprint.
- 8' tandem 10,000lm (50L) and 14,000lm (70L) units ideal for larger applications.
- Long life LEDs provide 50,000 hours (L70)¹ maintenance free system life.
- Ceiling or suspended mounting.
- Snap in LED pan and driver support is tool free for ease of installation.
- Continuous row mountable.
- 5000lm version capable of providing similar light levels to a 2-light 32W T8 strip while using 15% less energy.²
- Continuous 0-10v and 100/40 step dimming options available.
- Minimum operating temperature of -20°C.
- Enclosed lens minimizes penetration of dust, insects and other debris into the lamp compartment.
- Fully enclosed wiring and LED diodes.
- 5 year manufacturer's limited warranty.^{1,3}
- DLC listed.⁴

Finish

- Housing and end plates are multi-stage phosphate treated for maximum corrosion resistance and finish coat is high reflectance baked white enamel.

Shielding

- Pattern 12 prismatic acrylic diffuser is specially designed to provide peak performance while minimizing pixilated glare.

Electrical

- LED boards and drivers are RoHS (Restriction of Hazardous Substances) compliant.
- High power factor solid state driver available with non-dimming, 0-10V dimming, and 100/40 step dimming options.
- Total system life rated at 50,000 hours.
- Maximum ambient temperature of 25°C.
- Suitable for cold locations – minimum ambient temperature of -20°C.

Materials

- Heavy gauge cold rolled steel housing, end plates, and LED pan.

Labels

- cETLus listed.
- Suitable for damp locations.
- Many luminaire components, such as reflectors, refractors, lenses, sockets, lampholders, and LEDs are made from various types of plastics which can be adversely affected by airborne contaminants. If sulfur based chemicals, petroleum based products, cleaning solutions, or other contaminants are expected in the intended area of use, consult factory for compatibility.

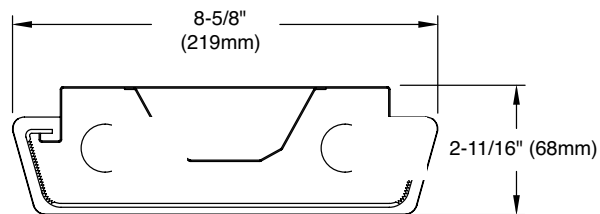
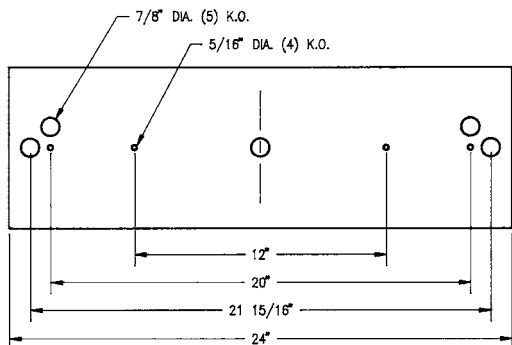
Footnotes:

1. Based on 25°C ambient operating temperature.
2. OWL450L840 input power is 53W vs a 2-light F32T8 HPF ballast at 277V drawing 62W.
3. Visit www.philips.com/warranties for complete warranty information.
4. OWL luminaires are Desiglights Consortium® qualified. Please see the DLC QPL list for exact catalog numbers (<http://www.designlights.org/QPL>).

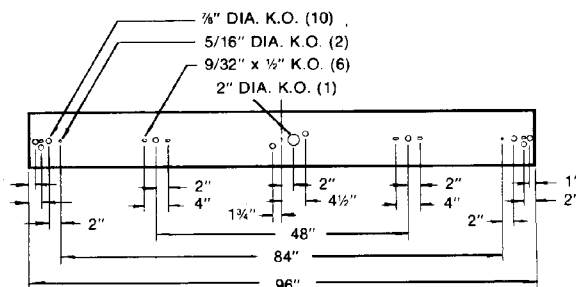
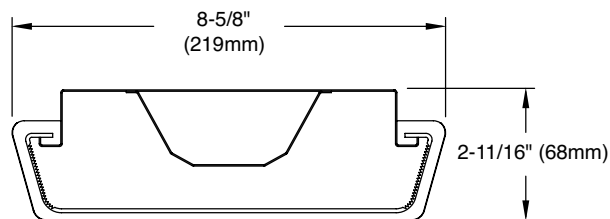
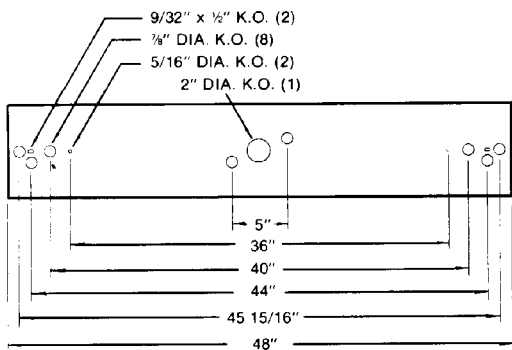
OWL LED wraparound

2', 4', or 8', 3000, 4000, 5000, or 7000 lumens

Dimensions 2'



Dimensions 4' & 8'



OWL LED wraparound

2', 4', or 8', 3000, 4000, 5000, or 7000 lumens

OWL LED wraparound 2ft, 3000 nominal delivered lumens

Cat No: OWL230L840-UNV

Report no¹: 32778
 Output 3205lms
 lumens: 4000K
 CCT²: 33W
 Input watts³: 96lm/w
 Efficacy:
 Comp Yearly
 Energy Cost at \$2.50
 \$0.08/KWh:

Candela distribution

Angle	End	45°	Cross	Back-45
0	933	933	933	933
5	926	930	929	930
15	891	900	903	900
25	817	840	850	840
35	707	744	764	744
45	569	627	658	627
55	420	491	536	491
65	275	357	410	357
75	146	235	296	235
85	39	133	201	133
95	1	94	171	94
105	1	90	159	90
115	2	77	128	77
125	2	59	94	59
135	2	40	68	40
145	2	25	46	25
155	3	12	26	12
165	3	4	7	4
175	3	3	3	3

Zonal summary (total efficiency)

Zone	End	45	Cross
45	6283	6251	6494
55	5578	5683	6116
65	4764	5093	5745
75	3808	4566	5605
85	2220	4236	6145

Light Distribution

Degrees	Lumens	% Fixture
0-30	728	22.7
0-40	1191	32.7
0-60	2105	65.7
0-90	2842	88.7
90-120	263	8.2
90-130	311	9.7
90-150	355	11.1
90-180	363	11.3
0-180	3205	100.0

Coefficients of utilization

Ceiling	80%			70%			50%		
Wall	70	50	30	70	50	30	50	30	
RC	Zonal cavity method								
RW	Effective floor reflectance = 20%								
Room Cavity Ratio	0	115	115	115	112	112	112	105	105
1	105	100	94	101	95	92	90	85	
2	94	85	79	91	82	77	78	71	
3	85	75	67	82	72	65	68	61	
4	79	67	57	76	65	56	60	53	
5	71	58	50	69	57	48	54	46	
6	67	53	44	64	52	42	48	41	
7	61	47	40	59	46	39	44	36	
8	57	44	35	55	42	34	40	33	
9	54	40	32	52	39	32	36	29	
10	50	36	28	48	35	28	34	28	

OWL LED wraparound 2ft, 4000 delivered lumens

Cat No: OWL240L840-UNV-DIM

Report no¹: 32616
 Output 4042lms
 lumens: 4000K
 CCT²: 47W
 Input watts³: 87lm/w
 Efficacy:
 Comp Yearly
 Energy Cost at \$2.76
 \$0.08/KWh:

Candela distribution

Angle	End	45°	Cross	Back-45
0	1178	1178	1178	1178
5	1169	1174	1174	1174
15	1124	1136	1138	1136
25	1030	1059	1072	1059
35	893	938	964	938
45	719	790	830	790
55	530	619	678	619
65	347	450	522	450
75	184	298	382	298
85	50	169	263	169
95	1	117	216	117
105	2	111	198	111
115	2	95	160	95
125	2	73	118	73
135	3	48	85	48
145	3	29	57	29
155	4	13	32	13
165	5	5	12	5
175	5	4	12	5

Zonal summary (total efficiency)

Zone	End	45	Cross
45	7932	7879	8200
55	7041	7161	7732
65	6015	6427	7315
75	4802	5778	7227
85	2805	5372	8012

Light Distribution

Degrees	Lumens	% Fixture
0-30	918	22.7
0-40	1502	37.2
0-60	2655	65.7
0-90	3590	88.8
90-120	328	8.1
90-130	387	9.6
90-150	442	10.9
90-180	452	11.2
0-180	4042	100.0

Coefficients of utilization

Ceiling	80%			70%			50%		
Wall	70	50	30	70	50	30	50	30	
RC	Zonal cavity method								
RW	Effective floor reflectance = 20%								
Room Cavity Ratio	0	115	115	115	112	112	112	105	105
1	105	100	94	101	95	92	90	85	
2	94	85	79	91	82	77	78	71	
3	85	75	67	82	72	65	68	61	
4	79	67	57	76	65	56	60	53	
5	71	58	50	69	57	48	54	46	
6	67	53	44	64	52	42	48	41	
7	61	47	40	59	46	39	44	36	
8	57	44	35	55	42	34	40	33	
9	54	40	32	52	39	32	36	29	
10	50	36	28	48	35	28	34	28	

OWL LED wraparound

2', 4', or 8', 3000, 4000, 5000, or 7000 lumens

OWL LED wraparound 4ft, 4000 nominal delivered lumens

Cat No:
OWL440L840-UNV-DIM

Report no¹: 32781
 Output 3933 lms
 lumens: 4000K
 CCT²: 37W
 Input watts³: 106 lm/w
 Efficacy:
 Comp Yearly
 Energy Cost at \$2.26
 \$.08/KWh:

Candela distribution

Angle	End	45°	Cross	Back-45
0	1105	1105	1105	1105
5	1096	1101	1103	1101
15	1056	1065	1074	1065
25	973	1001	1015	1001
35	855	900	922	900
45	707	772	804	772
55	542	623	668	623
65	369	465	520	465
75	203	311	373	311
85	57	170	240	170
95	1	111	183	111
105	1	101	169	101
115	2	86	144	86
125	2	64	112	64
135	2	45	85	45
145	3	29	58	29
155	3	16	33	16
165	3	6	12	6
175	4	3	3	3

Zonal summary (total efficiency)

Zone	End	45	Cross
45	4018	3922	3971
55	3745	3690	3812
65	3395	3436	3643
75	2922	3177	3534
85	2003	2956	3669

Light Distribution

Degrees	Lumens	% Fixture
0-30	866	22.0
0-40	1427	36.3
0-60	2567	65.3
0-90	3520	89.5
90-120	294	7.5
90-130	349	8.9
90-150	403	10.2
90-180	413	10.5
0-180	3933	100.0

Coefficients of utilization

Ceiling	80%			70%			50%		
Wall	70	50	30	70	50	30	50	30	
RC	Zonal cavity method								
RW	Effective floor reflectance = 20%								
Room Cavity Ratio	0	116	116	116	112	112	112	105	105
1	105	98	94	101	95	92	90	85	
2	94	85	79	91	82	76	78	71	
3	85	75	66	82	72	65	68	60	
4	79	66	56	75	64	56	59	53	
5	71	58	50	68	56	48	54	46	
6	66	53	44	64	51	42	47	40	
7	61	47	39	58	46	38	44	36	
8	56	44	34	55	41	34	40	33	
9	53	40	32	51	39	30	36	29	
10	50	36	28	47	35	28	34	27	

OWL LED wraparound 4ft, 5000 nominal delivered lumens

Cat No:
OWL450L840-UNV-DIM

Report no¹: 32780
 Output 5136 lms
 lumens: 4000K
 CCT²: 53W
 Input watts³: 98 lm/w
 Efficacy:
 Comp Yearly
 Energy Cost at \$2.45
 \$.08/KWh:

Candela distribution

Angle	End	45°	Cross	Back-45
0	1439	1439	1439	1439
5	1427	1434	1436	1434
15	1375	1391	1399	1391
25	1266	1304	1322	1304
35	1114	1173	1201	1173
45	920	1007	1048	1007
55	704	812	870	812
65	480	608	677	608
75	264	408	487	408
85	74	224	313	224
95	2	146	239	146
105	2	134	221	134
115	2	115	187	115
125	3	85	147	85
135	3	60	110	60
145	4	39	76	39
155	4	21	44	21
165	5	8	16	8
175	5	4	4	4

Zonal summary (total efficiency)

Zone	End	45	Cross
45	5224	5114	5173
55	4868	4814	4963
65	4414	4489	4747
75	3800	4161	4608
85	2628	3892	4776

Light Distribution

Degrees	Lumens	% Fixture
0-30	1128	22.0
0-40	1858	36.2
0-60	3345	65.1
0-90	4591	89.4
90-120	389	7.5
90-130	463	9.0
90-150	535	10.4
90-180	548	10.6
0-180	5136	100.0

Coefficients of utilization

Ceiling	80%			70%			50%		
Wall	70	50	30	70	50	30	50	30	
RC	Zonal cavity method								
RW	Effective floor reflectance = 20%								
Room Cavity Ratio	0	116	116	116	112	112	112	105	105
1	105	98	94	101	95	92	90	85	
2	94	85	79	91	82	76	78	71	
3	85	75	66	82	72	65	68	60	
4	79	66	56	75	64	56	59	53	
5	71	58	50	68	56	48	54	46	
6	66	53	44	64	51	42	47	40	
7	61	47	39	58	46	38	44	36	
8	56	44	34	55	41	34	40	33	
9	53	40	32	51	39	30	36	29	
10	50	36	28	47	35	28	34	27	

OWL LED wraparound

2', 4', or 8', 3000, 4000, 5000, or 7000 lumens

OWL LED wraparound 4ft, 7000 nominal delivered lumens

Cat No:
OWL470L840-UNV-DIM

Report no¹: 32779
Output 6790lms
lumens: 4000K
CCT²: 73W
Input watts³: 94 lm/w
Efficacy:
Comp Yearly
Energy Cost at \$2.55
\$0.08/KWh:

Candela distribution

Angle	End	45°	Cross	Back-45
0	1905	1905	1905	1905
5	1890	1897	1899	1897
15	1821	1840	1850	1840
25	1680	1726	1750	1726
35	1474	1551	1590	1551
45	1218	1332	1387	1332
55	932	1075	1152	1075
65	635	804	898	804
75	350	538	647	538
85	97	295	418	295
95	2	191	319	191
105	3	175	295	175
115	3	149	250	149
125	4	111	196	111
135	4	78	147	78
145	5	51	101	51
155	6	27	89	27
165	7	10	22	10
175	7	6	6	6

Zonal summary (total efficiency)

Zone	End	45	Cross
45	6914	6765	6849
55	6445	6371	6573
65	5843	5935	6295
75	5032	5493	6125
85	3435	5116	6378

Coefficients of utilization

Ceiling	80%			70%			50%		
Wall	70	50	30	70	50	30	50	30	
RC	Zonal cavity method								
RW	Effective floor reflectance = 20%								
Room Cavity Ratio	0	116	116	116	112	112	112	105	105
1	105	98	94	101	95	92	90	85	
2	94	85	79	91	82	76	78	71	
3	85	75	66	82	72	65	68	60	
4	79	66	56	75	64	56	59	53	
5	71	58	50	68	56	48	54	46	
6	66	53	44	64	51	42	47	40	
7	61	47	39	58	46	38	44	36	
8	56	44	34	55	41	34	40	33	
9	53	40	32	51	39	30	36	29	
10	50	36	28	47	35	28	34	27	

Light Distribution

Degrees	Lumens	% Fixture
0-30	1493	22.0
0-40	2459	36.2
0-60	4425	65.2
0-90	6072	89.4
90-120	509	7.5
90-130	606	8.9
90-150	700	10.3
90-180	718	10.6
0-180	6790	100.0

Energy Data

Model	Initial Delivered Lumens @ 25°C Ambient	Input Power	Lumens per Watt	Application Notes
OWL230840-UNV	3205	33	96	Low ceilings, mid ambient
OWL240840-UNV-DIM	4042	47	87	2' length, option to 4' fluorescent
OWL440840-UNV-DIM	3933	37	106	Suitable for most general applications
OWL450840-UNV-DIM	5136	53	98	Equal to a 4' 2x32W fluorescent
OWL470840-UNV-DIM	6790	73	94	Better option to a wide 3-light fluorescent wraparound

