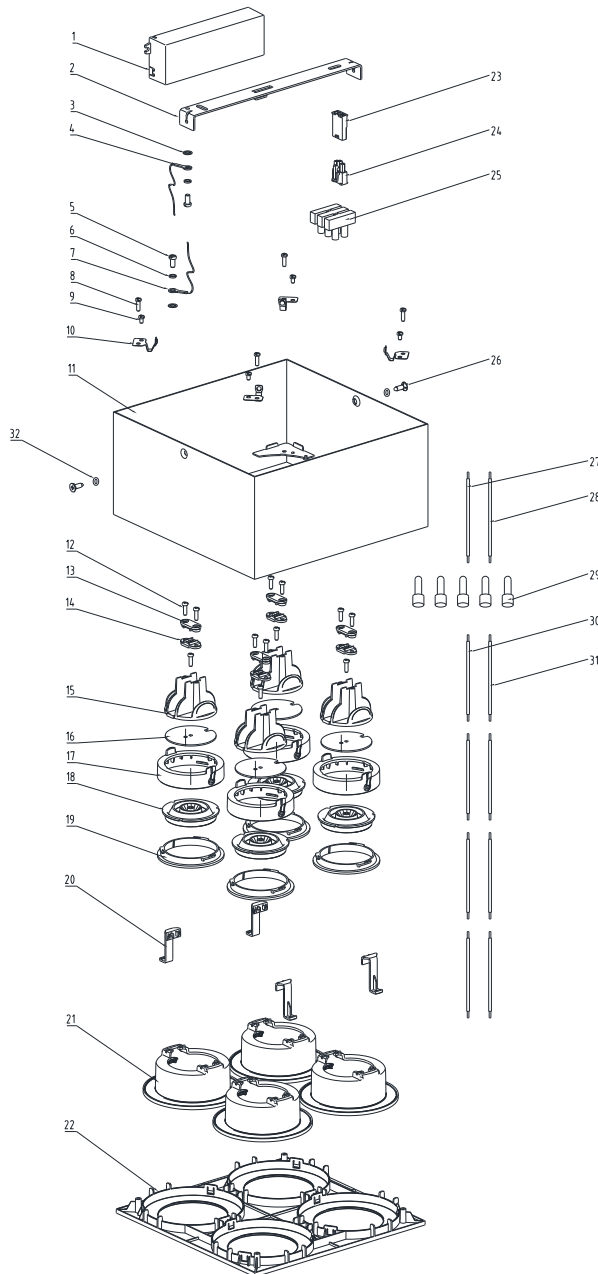


Dismantling Recommendation on Disposal at End of Life

Composition Explanation



Dismantling Recommendation on Disposal at End of Life

Composition Explanation

No.	Components	Specifications	Unit	Quantity
1	PYS 20W driver		PCS	1
2	G17536 bracket	Zinc coated	PCS	1
3	φ4 teeth washer	Zinc coated	PCS	2
4	Earthing wire	UL 1332 20AWG	PCS	1
5	M4*6mm screw	Copper coated	PCS	2
6	φ4 spring washer	Copper coated	PCS	2
7	Earthing wire	UL 1332 20AWG	PCS	1
8	BT3*8 screw	Zinc coated	PCS	5
9	M3*5mm screw	Zinc coated	PCS	2
10	G17516 limiter		PCS	4
11	G17556 body	Metal sheet	PCS	1
12	M3*10mm screw	Zinc coated	PCS	8
13	G17516 upper strain relief	PA6	PCS	4
14	G17516 lower strain relief	PA6	PCS	4
15	G17516 heat sink	ADC12	PCS	4
16	YL20-7-14DB4W-C017		PCS	4
17	G17516 head	ABS	PCS	4
18	G17516 lens	PC	PCS	4
19	G17516 ring	ABS	PCS	4
20	G17516 plastic limiter	ABS	PCS	4
21	G17516 head holder	ABS	PCS	2
22	G17556 cover	ABS	PCS	1
23	5557-3P		PCS	1
24	5559-3R		PCS	1
25	T06-3P		PCS	1
26	M4*12 screw	Zinc coated	PCS	2
27	FEP brown wire	VDE0.5mm ²	PCS	1
28	FEP blue wire	VDE0.5mm ²	PCS	1
29	Closed end connector		PCS	5
30	FEP red wire	UL 1332/22AWG	PCS	4
31	FEP black wire	UL 1332/22AWG	PCS	4
32	φ4 teeth washer	SS	PCS	2

Dismantling Recommendation on Disposal at End of Life

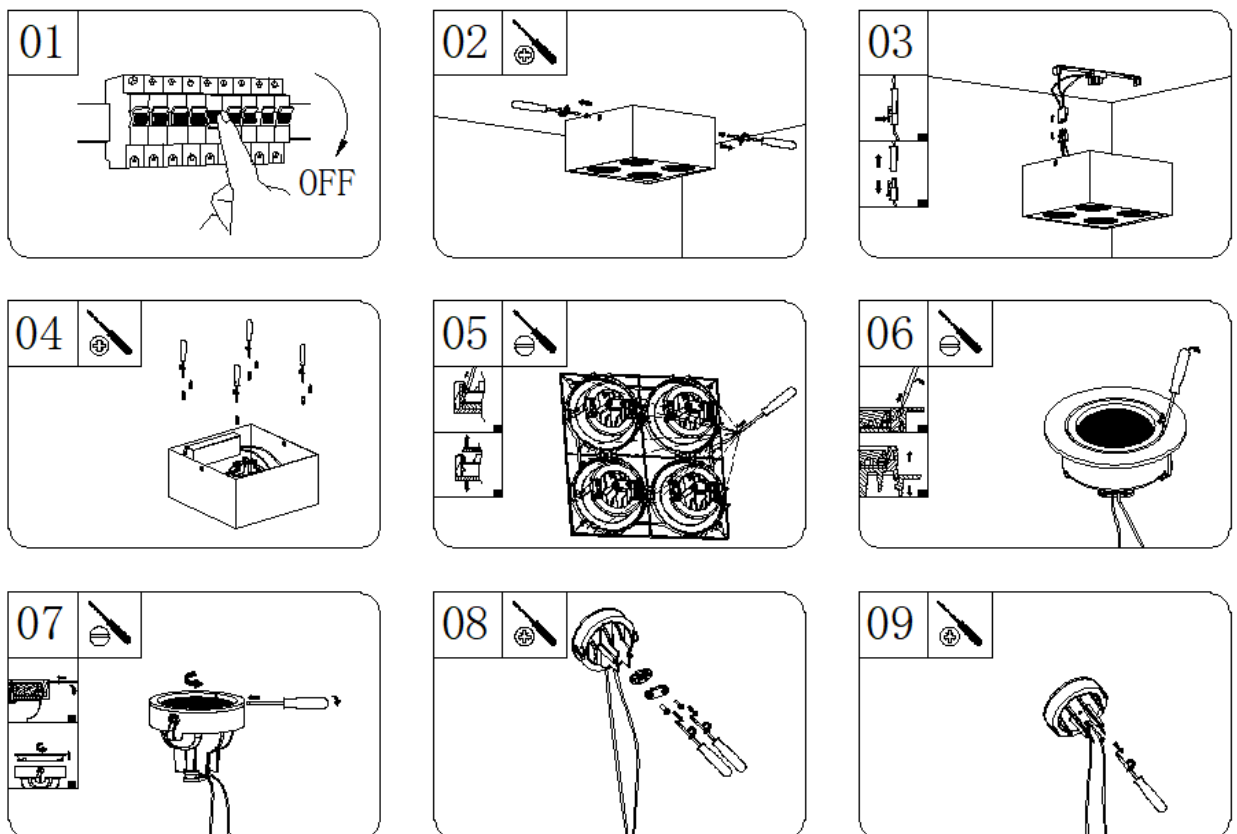
Dismantling

- Type: Without permanent damage

Recommendation on Disposal

- Plastic part: Reuse and Recycling
- Electrical part: Incineration and disposal
- Metal part: Recycling

Light source dismantling process



Dismantling Recommendation on Disposal at End of Life

