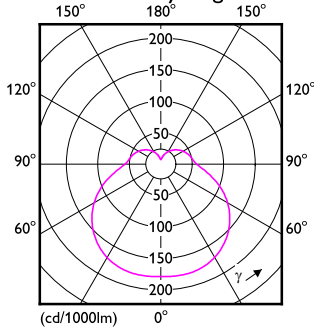
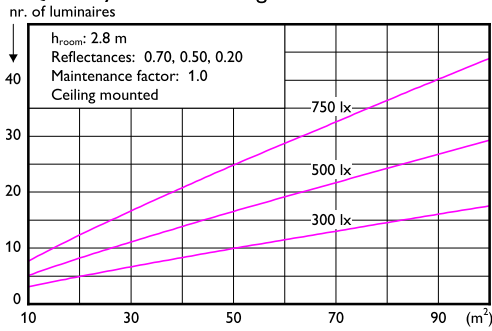


Ceiling 1 x 9290026123 4000K 1 x 2200 lm

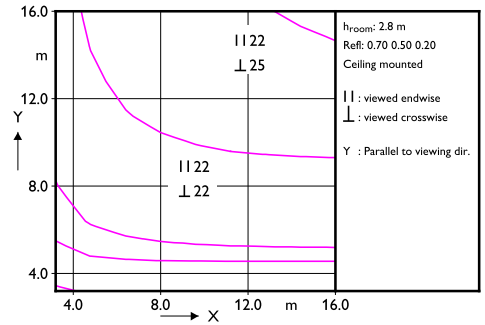
Polar intensity diagram



Quantity estimation diagram



UGR diagram



Light output ratio 1.00
Service upward 0.24
Service downward 0.76

CIE flux code 35 64 86 76 100

UGRcen (4Hx8H, 0.25H) 23

Utilisation factor table

Room Index k	Reflectances (%) for ceiling, walls and working plane (CIE)												
	0.80			0.70			0.50			0.30			0.00
	0.80	0.80	0.70	0.70	0.70	0.70	0.50	0.50	0.30	0.30	0.30	0.00	
0.30	0.10	0.30	0.20	0.10	0.10	0.10	0.10	0.10	0.10	0.10	0.10	0.00	
0.60	0.40	0.38	0.38	0.37	0.36	0.29	0.27	0.22	0.25	0.21	0.17	0.00	
0.80	0.49	0.46	0.47	0.46	0.44	0.37	0.34	0.29	0.31	0.27	0.23	0.00	
1.00	0.57	0.53	0.55	0.53	0.51	0.43	0.40	0.35	0.37	0.32	0.27	0.00	
1.25	0.65	0.60	0.62	0.60	0.57	0.50	0.46	0.41	0.43	0.38	0.32	0.00	
1.50	0.72	0.65	0.68	0.65	0.62	0.55	0.51	0.46	0.47	0.43	0.37	0.00	
2.00	0.81	0.73	0.77	0.73	0.70	0.63	0.58	0.54	0.54	0.50	0.43	0.00	
2.50	0.88	0.78	0.83	0.78	0.74	0.69	0.63	0.59	0.59	0.55	0.48	0.00	
3.00	0.93	0.81	0.87	0.82	0.78	0.73	0.67	0.63	0.62	0.59	0.51	0.00	
4.00	0.99	0.86	0.93	0.87	0.82	0.78	0.72	0.69	0.67	0.64	0.56	0.00	
5.00	1.03	0.89	0.97	0.91	0.85	0.81	0.75	0.72	0.70	0.67	0.59	0.00	

Ceiling mounted

Luminance Table

Plane Cone	0.0	15.0	30.0	45.0	60.0	75.0	90.0
45.0	5480	4966	4598	4353	4216	4176	4231
50.0	5552	4954	4538	4266	4115	4071	4131
55.0	5641	4945	4475	4174	4008	3961	4026
60.0	5749	4936	4405	4072	3892	3841	3912
65.0	5887	4926	4325	3958	3762	3707	3783
70.0	6078	4922	4235	3830	3617	3557	3640
75.0	6392	4953	4155	3703	3471	3406	3496
80.0	6996	5086	4126	3609	3352	3281	3379
85.0	8345	5476	4235	3614	3315	3234	3346
90.0	12065	6494	4660	3838	3463	3363	3501

(cd/m²)

2020-11-02