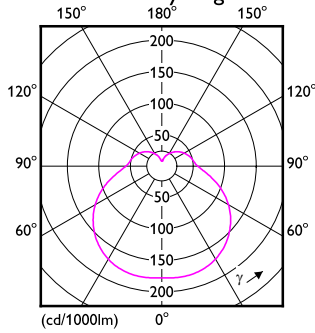
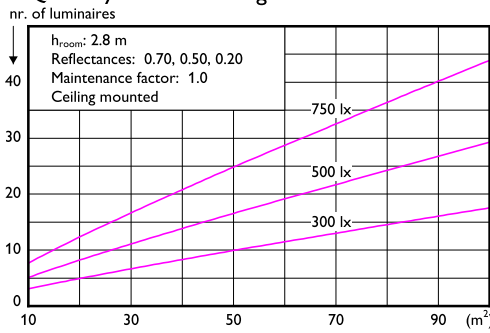


## Ceiling 1 x 9290026124 5700K 1 x 2200 lm

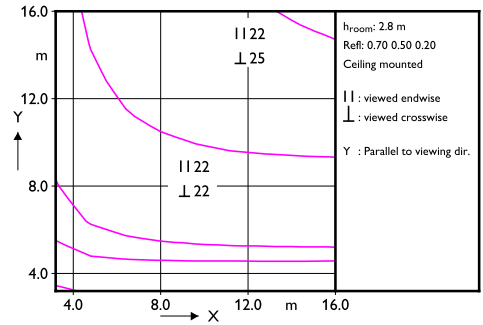
Polar intensity diagram



Quantity estimation diagram



UGR diagram



Light output ratio 1.00  
Service upward 0.24  
Service downward 0.76

CIE flux code 35 64 86 76 100

UGRcen (4Hx8H, 0.25H) 23

Utilisation factor table

Room Index k	Reflectances (%) for ceiling, walls and working plane (CIE)												
	0.80			0.70			0.50			0.30			0.00
	0.80	0.80	0.70	0.70	0.70	0.70	0.50	0.50	0.30	0.30	0.30	0.00	
0.30	0.10	0.30	0.20	0.10	0.10	0.10	0.10	0.10	0.10	0.10	0.10	0.00	
0.60	0.40	0.38	0.38	0.37	0.36	0.29	0.27	0.22	0.25	0.21	0.17	0.00	
0.80	0.49	0.46	0.47	0.46	0.44	0.37	0.34	0.29	0.31	0.27	0.23	0.00	
1.00	0.57	0.53	0.55	0.53	0.51	0.43	0.40	0.35	0.37	0.32	0.27	0.00	
1.25	0.65	0.60	0.62	0.60	0.57	0.50	0.46	0.41	0.43	0.38	0.32	0.00	
1.50	0.72	0.65	0.68	0.65	0.62	0.55	0.51	0.46	0.47	0.43	0.37	0.00	
2.00	0.81	0.73	0.77	0.73	0.70	0.63	0.58	0.54	0.54	0.50	0.43	0.00	
2.50	0.88	0.78	0.83	0.78	0.74	0.69	0.63	0.59	0.59	0.55	0.48	0.00	
3.00	0.93	0.81	0.87	0.82	0.78	0.73	0.67	0.63	0.62	0.59	0.51	0.00	
4.00	0.99	0.86	0.93	0.87	0.82	0.78	0.72	0.69	0.67	0.64	0.56	0.00	
5.00	1.03	0.89	0.97	0.91	0.85	0.81	0.75	0.72	0.70	0.67	0.59	0.00	

Ceiling mounted

Luminance Table

Plane Cone	0.0	15.0	30.0	45.0	60.0	75.0	90.0
45.0	5463	4951	4584	4340	4203	4163	4218
50.0	5537	4941	4526	4255	4104	4060	4120
55.0	5627	4934	4465	4164	3999	3952	4017
60.0	5737	4926	4396	4064	3884	3833	3904
65.0	5878	4918	4317	3951	3756	3700	3777
70.0	6070	4915	4229	3825	3612	3553	3635
75.0	6385	4948	4151	3699	3467	3403	3492
80.0	6993	5084	4124	3608	3350	3279	3377
85.0	8347	5478	4236	3615	3316	3235	3347
90.0	12086	6506	4668	3845	3469	3369	3507

(cd/m<sup>2</sup>)

2020-11-02