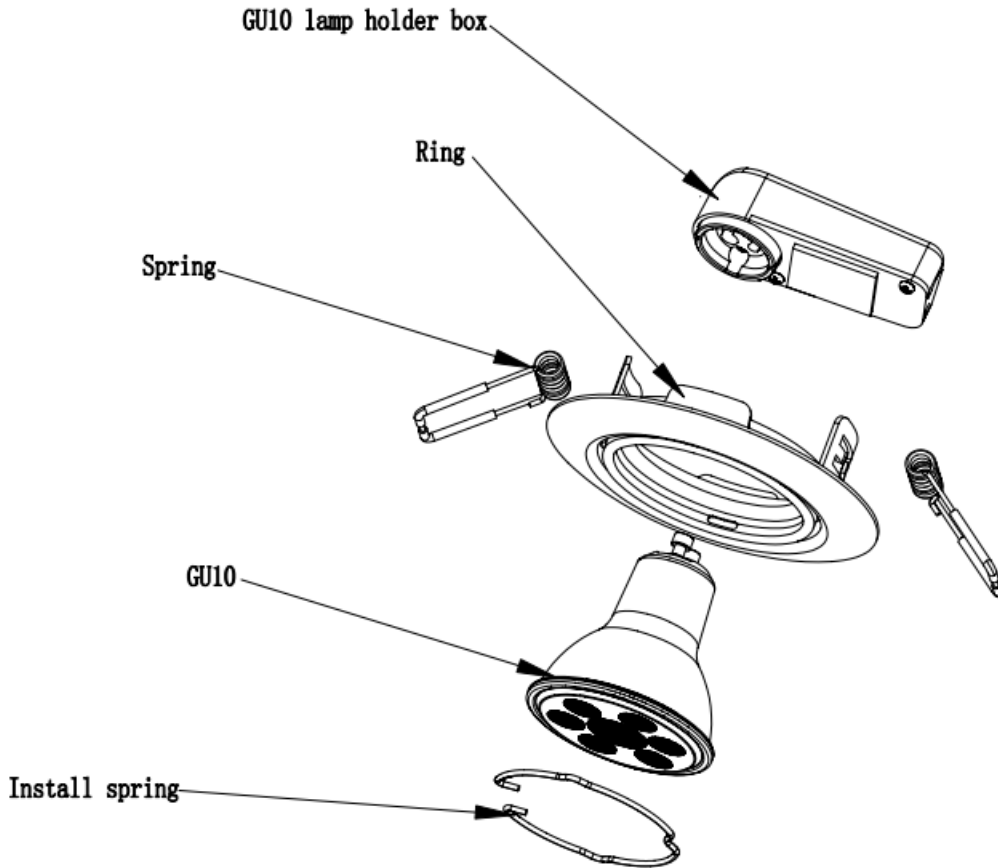


## Removability Introduction on Disposal at End of Life


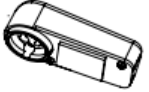



### Composition Explanation – EU GU10 Kits



# Removability Introduction on Disposal at End of Life



## Composition Explanation – EU GU10 Kits

Plastic part	Metal part	Electrical part
	Spring 	 GU10 lamp holder box
	Ring 	 GU10
	Install spring 	

### Dismantling

- Steps: refer to disassembly instruction
- Type: without permanent damage

### Recommendation on disposal

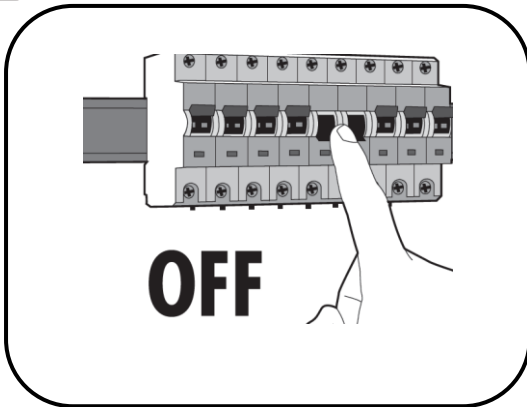
- Plastic part :reuse and recycling
- Electrical part :incineration and disposal
- Metal part :recycling

## Removability Introduction on Disposal at End of Life

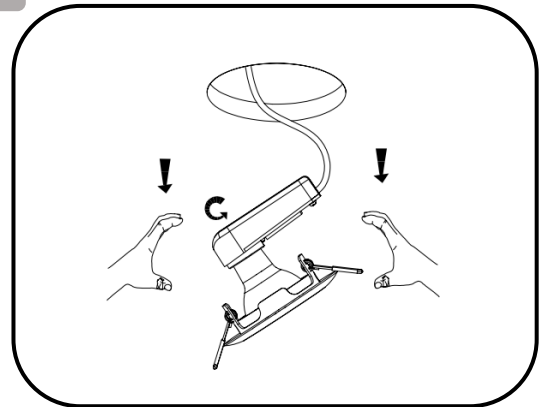
### Disassembly Steps –EU GU10 Kits

Disassembly step by step, to acquire the parts list above table, must include the step to acquire the light source , separated control gear if have

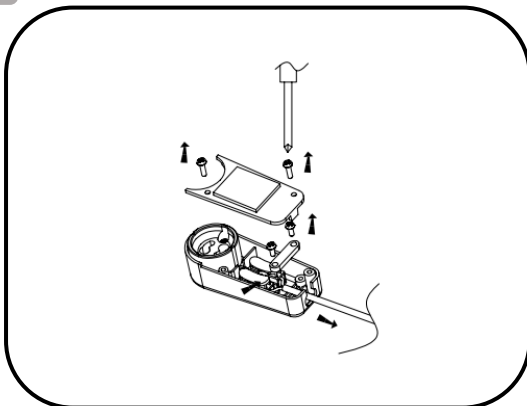
1



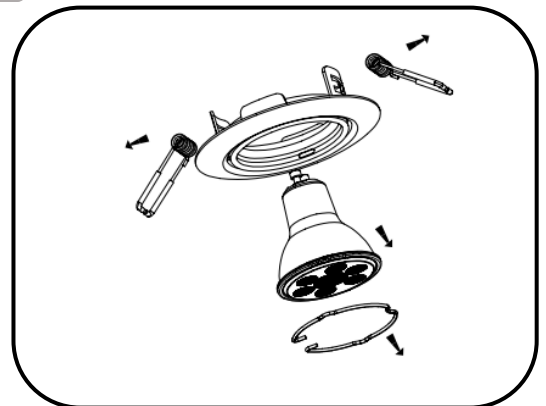
2



3



4



.....