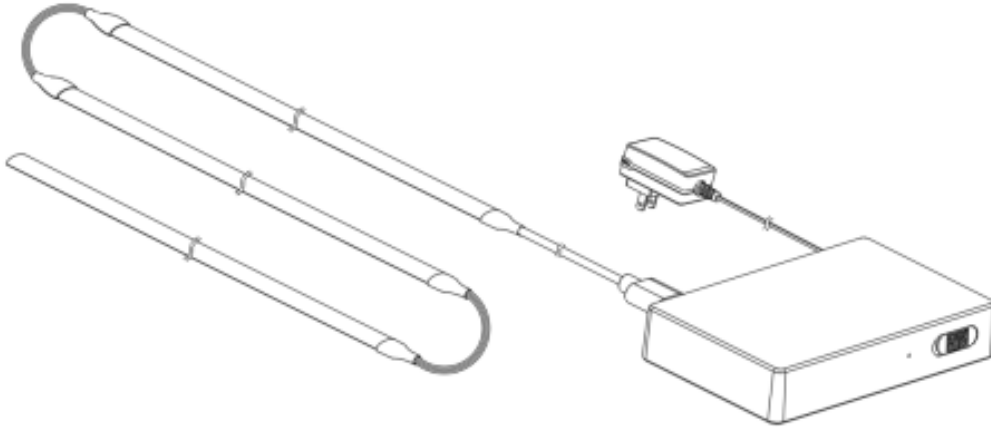


Removability Introduction on Disposal at End of Life

Composition Explanation – HDMI 2.0 sync box with light



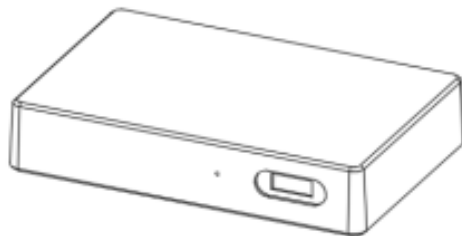
A. Composition Explanation



Adapter 驱动



Housing and heatsink 上壳



Switch 开关键




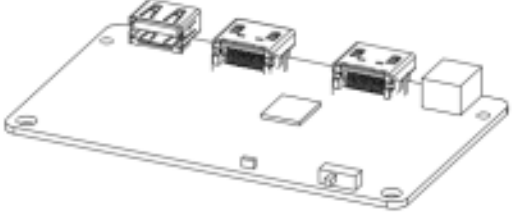
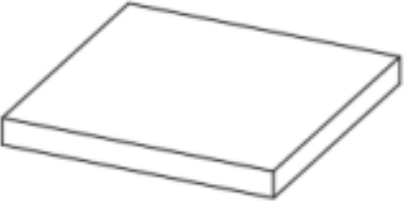
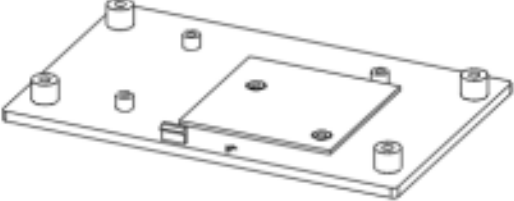
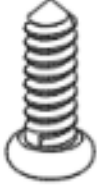

Conductive silicone 硅胶片



Removability Introduction on Disposal at End of Life

Composition Explanation – HDMI 2.0 sync box with light



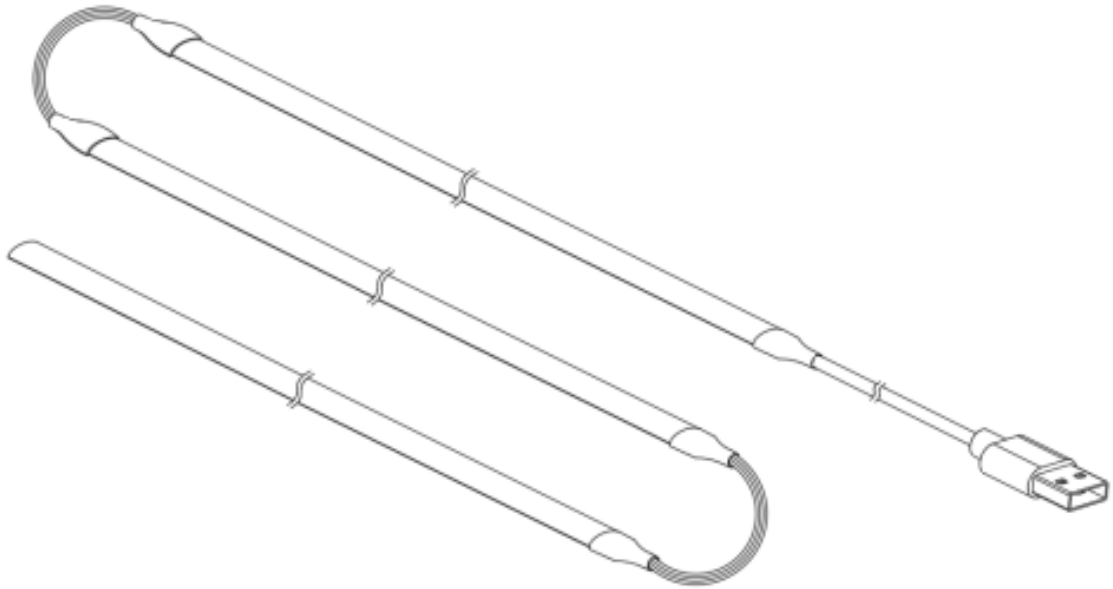
<p>Thermal conductive silicone 1 导热硅胶 1</p> 	<p>PCBA</p> 
<p>Thermal conductive silicone 2 导热硅胶 2</p> 	<p>Bottom cover and heatsink 底壳+散热片</p> 
<p>Screws 螺丝</p> 	<p>Anti-slip pad 防滑垫</p> 

Removability Introduction on Disposal at End of Life

Composition Explanation – HDMI 2.0 sync box with light



LED Strip



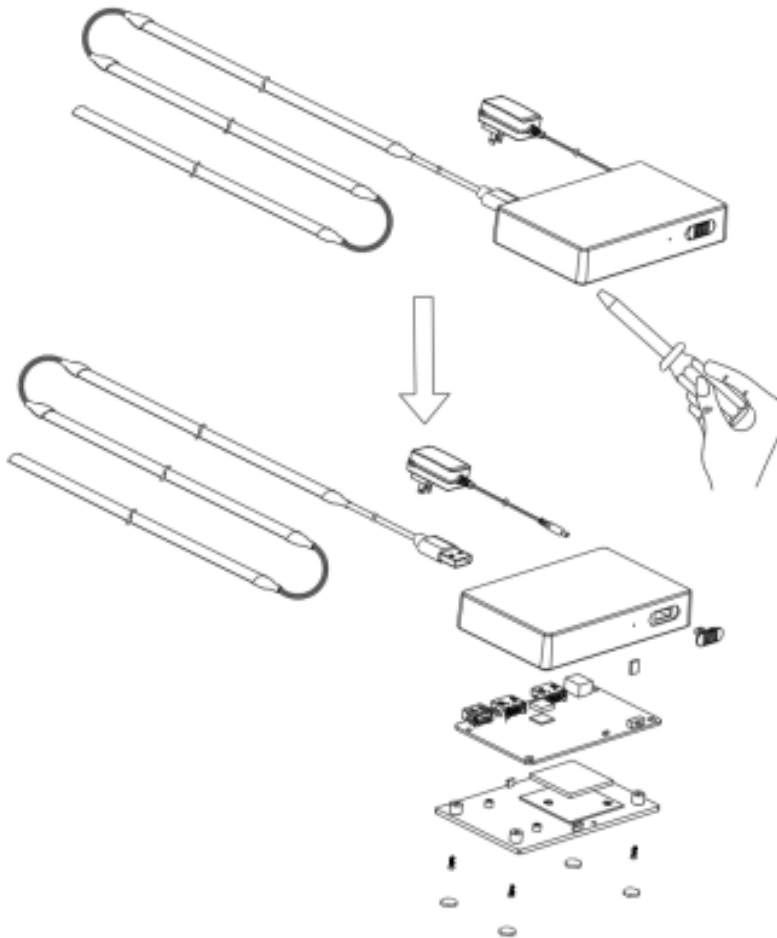
- LED PCBA
- Epoxy glue
- 3M tape

Removability Introduction on Disposal at End of Life

Composition Explanation – HDMI 2.0 sync box with light



B. Steps to remove components



Type: without permanent damage

Recommendation on disposal

Plastic part: reuse and recycling

Electrical part: disposal

Metal part: recycling