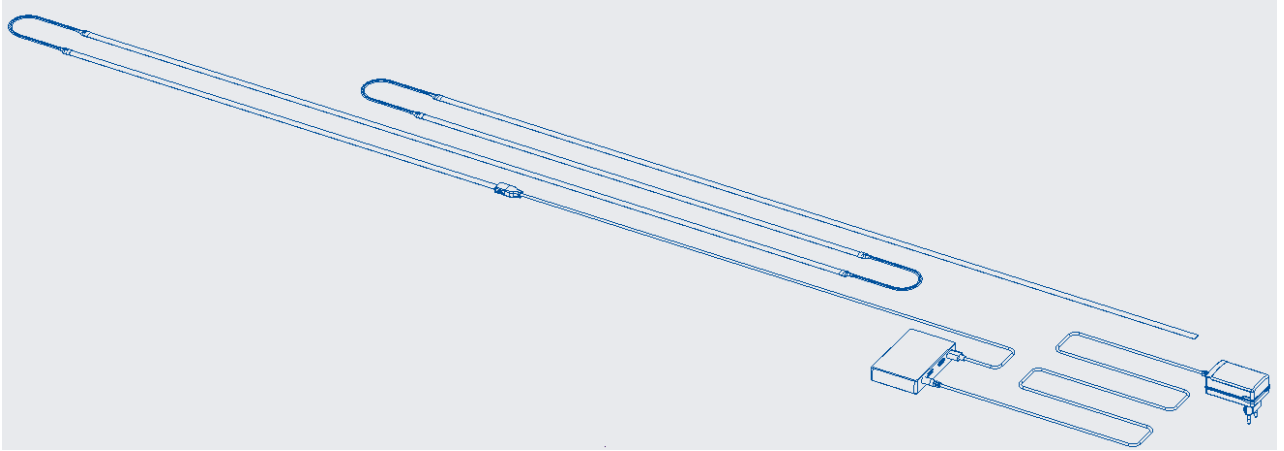


## Removability Introduction on Disposal at End of Life

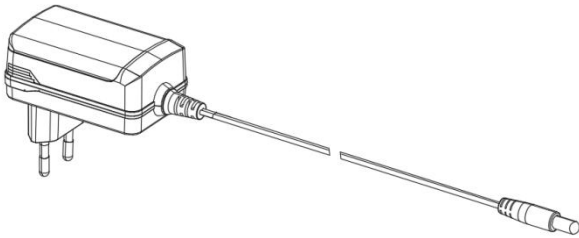
### Composition Explanation – HDMI 2.1 sync box with light



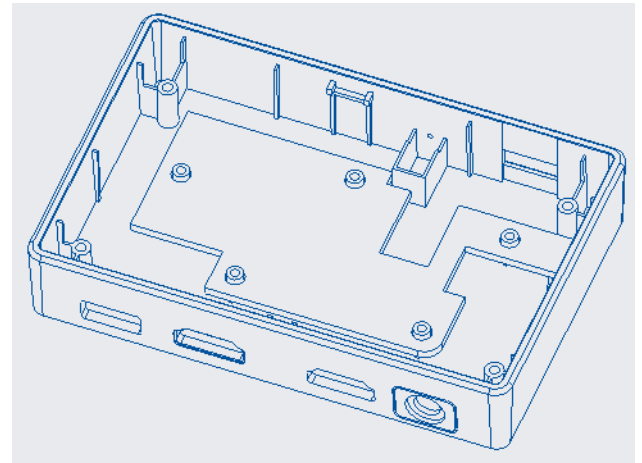
#### A. Composition Explanation



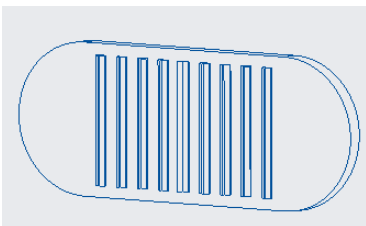
#### Adapter 驱动



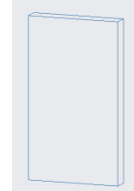
#### Housing and heatsink 上壳+散热片



#### Switch 开关键



#### Conductive silicone 硅胶片

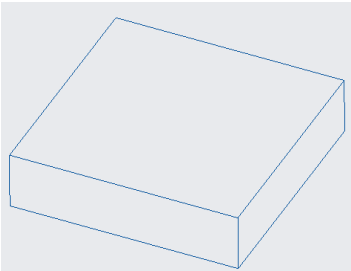


# Removability Introduction on Disposal at End of Life

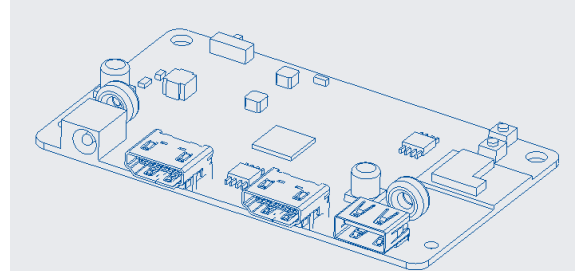
## Composition Explanation – HDMI 2.1 sync box with light



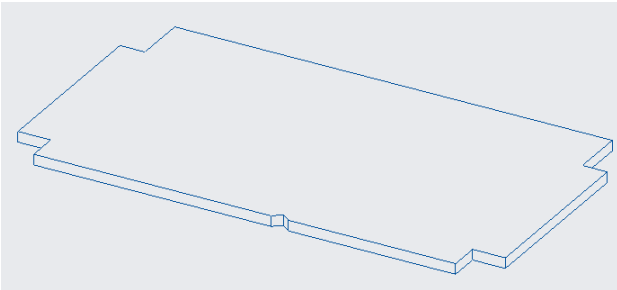
Thermal conductive silicone 1 导热硅胶 1



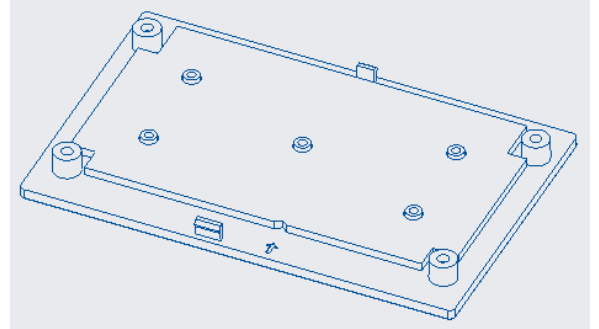
PCBA



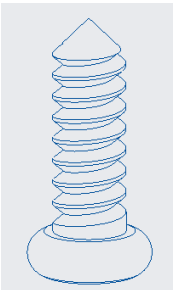
Thermal conductive silicone 2 导热硅胶 2



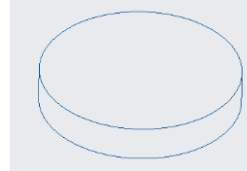
Bottom cover and heatsink 底壳+散热片



Screws 螺丝



Anti-slip pad 防滑垫

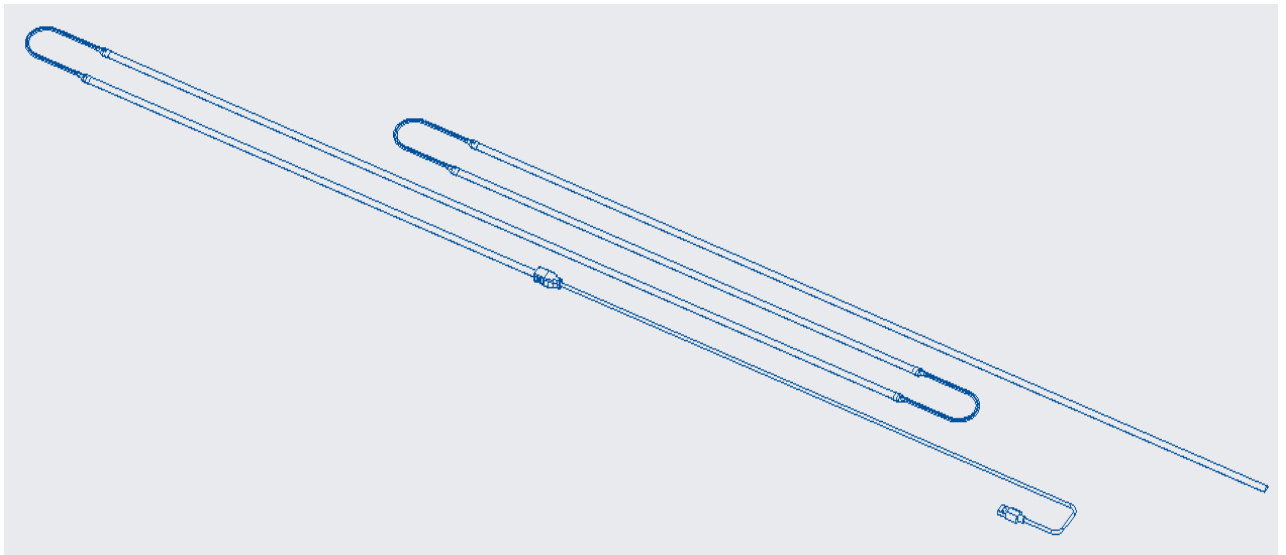


## Removability Introduction on Disposal at End of Life

### Composition Explanation – HDMI 2.1 sync box with light



LED Strip



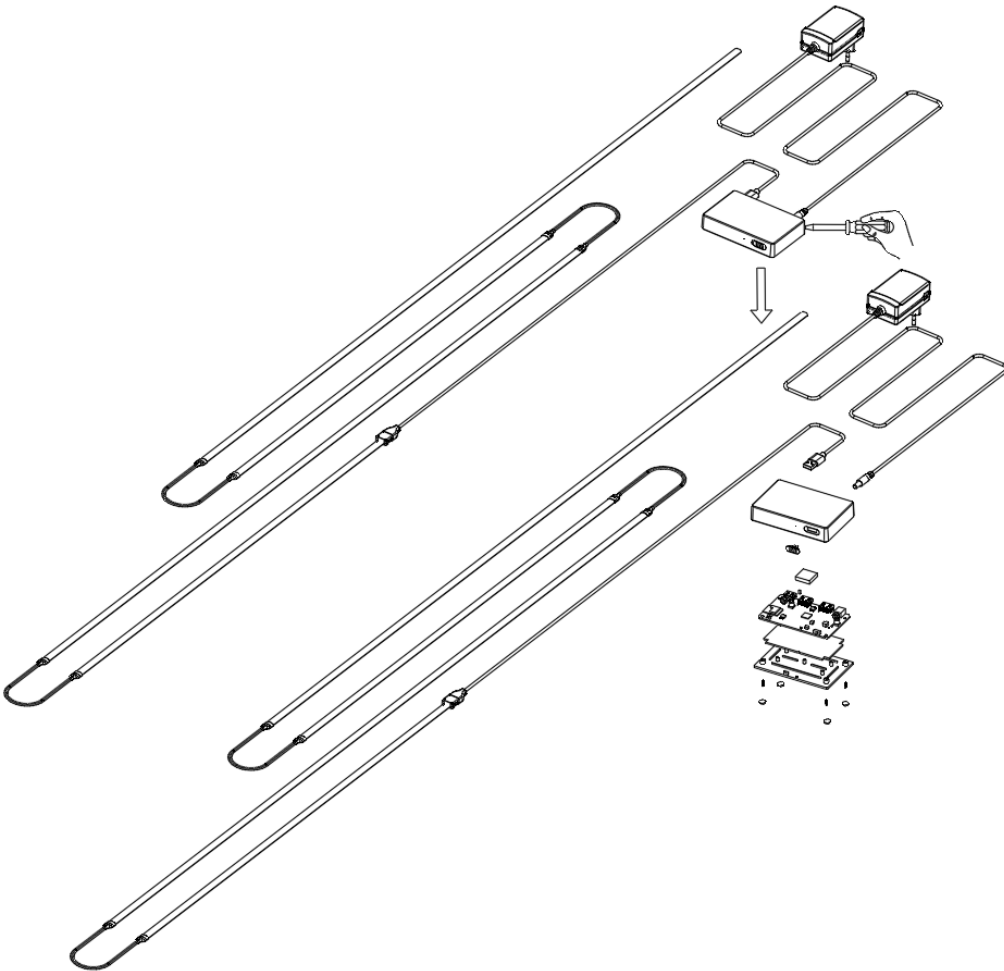
- LED PCBA
- Epoxy glue
- 3M tape

## Removability Introduction on Disposal at End of Life

### Composition Explanation – HDMI 2.1 sync box with light



A. Steps to remove components



Type: without permanent damage  
Recommendation on disposal  
Plastic part: reuse and recycling  
Electrical part: disposal  
Metal part: recycling