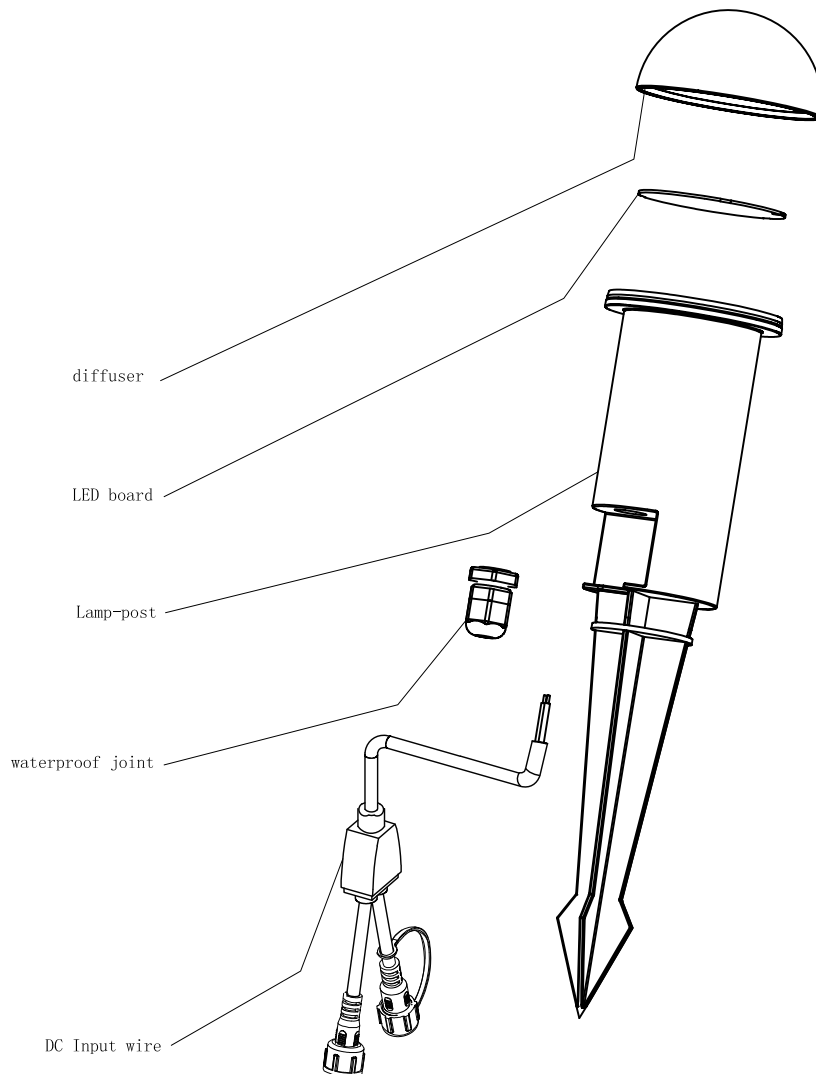


Dismantling Recommendation on Disposal at End of Life

Composition Explanation



Dismantling Recommendation on Disposal at End of Life

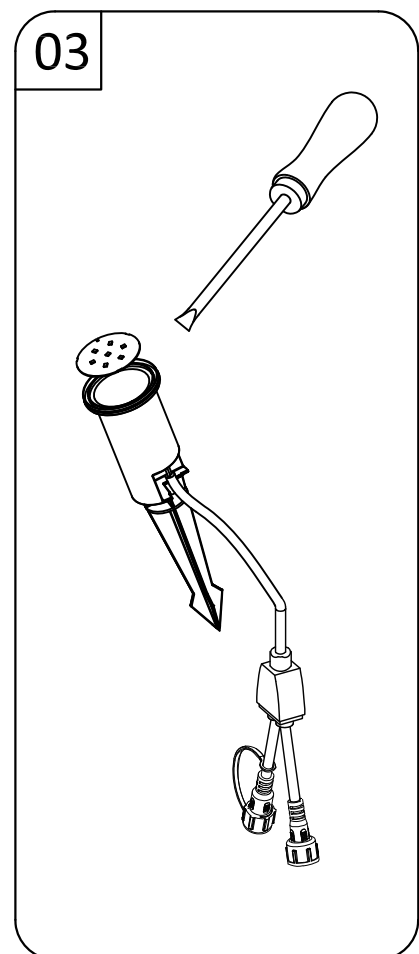
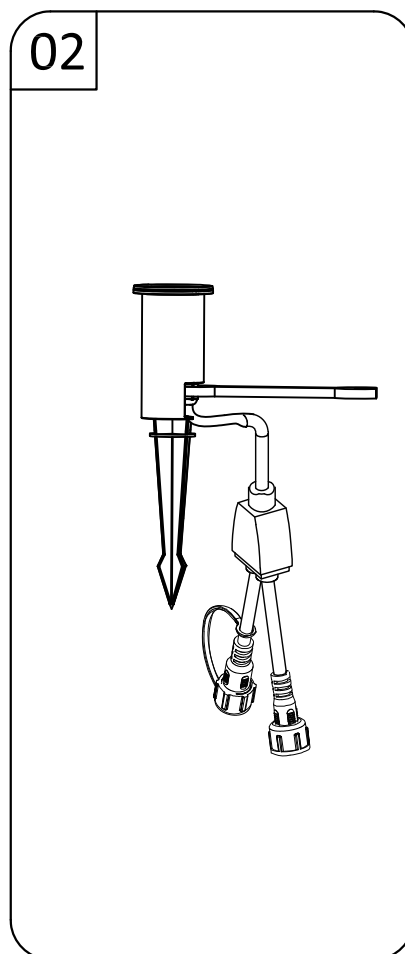
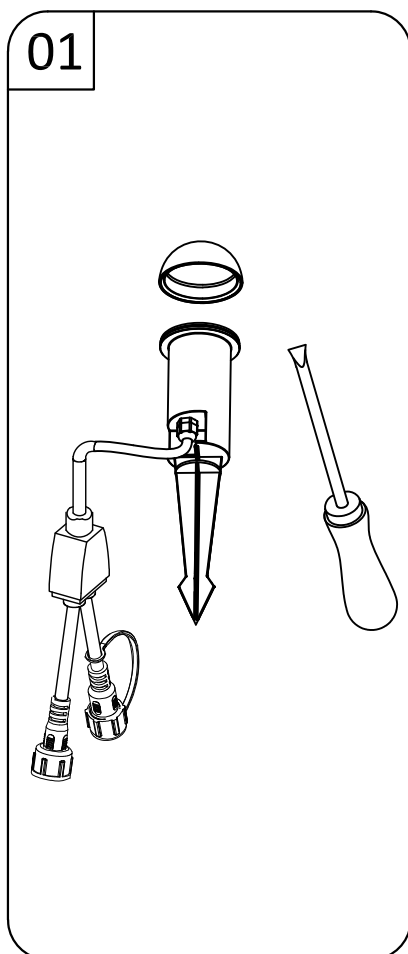
Dismantling

- . Type:Luminaire permanent damage

Recommendation on Disposal

- . Plastic part: Reuse and Recycling
- . Electrical part: Incineration and disposal
- . Metal part: Recycling

Dismantle instruction(Light Source non replaceable)



Dismantling Recommendation on Disposal at End of Life

Light Source*1

