



Gardco PureForm LED P26 features a sleek, low profile design and optimal performance. PureForm large area light is designed to achieve maximum pole spacing, with lumen output up to 62,000 lumens. Multiple distribution and shielding options are available to achieve maximum control. A full range of control options provides additional energy savings.

Project: _____
 Location: _____
 Cat.No: _____
 Type: _____
 Lamps: _____ Qty: _____
 Notes: _____

Ordering guide

Example: P26-A08-830-T4M-HIS-AR1-120-DALI-WIAPHW-SP2-BK

Prefix	Nominal Lumens Selection	CCT/CRI	Distribution	Shielding	Mounting	Voltage
P26						
P26 PureForm area light	A01 12,000 lumens	830 80CRI, 3000K 840 80CRI, 4000K 730 70CRI, 3000K 740 70CRI, 4000K 750 70CRI, 5000K 827 ¹ 80CRI, 2700K	Autofront row	None - Internal house side shield (clip-on)	AR1 ² Arm mount (standard) RPA Round pole adapter The following mounting kits must be ordered separately (See accessories) SF ³ Adjustable Slipfitter RAM ² Retrofit arm mount kit WAL Wall mount	120 120V 208 208V 240 240V 277 277V UNV 120-277V 347 347V 480 480V HVV 374-480V
	A02 15,500 lumens		Type 4 Medium			
	A03 18,000 lumens		AFR Auto front row			
	A04 22,000 lumens		AFR-90 Rotated left 90°			
	A05 25,000 lumens		AFR-270 Rotated left 270°			
	A06 28,000 lumens		T4M Type 4 Medium			
	A07 32,000 lumens		T4M-90 Rotated left 90°			
	A08 36,000 lumens		T4M-270 Rotated left 270°			
	A09 40,000 lumens		Type 2			
	A10 44,000 lumens		Type 4 Wide			
	A11 50,000 lumens		T2M Type 2 Medium			
	A12 57,000 lumens		T2M-90 Rotated left 90°			
	A13 62,000 lumens		T2M-270 Rotated left 270°			
	Type 3					
	T3M Type 3 Medium					
	T3M-90 Rotated left 90°					
	T3M-270 Rotated left 270°					
	Type 5					
	T5N Type 5 Narrow					
	T5M Type 5 Medium					
	T5W Type 5 Wide					
	LEED Optics					
	LCL LEED corner optic left					
	LCR LEED corner optic right					
	BLC Back light control					
	BLC-90 Rotated left 90°					
	BLC-270 Rotated left 270°					

Based on 4000K 70 CRI. Refer to lumen tables and IES for exact configurations.

Driver type	Dimming Controls (only one may be selected)	Lighting controls (controls are mutually exclusive, only one may be selected)	Options	Finish
0-10V			TB Terminal block	Standard textured finish
010V 0-10V	None - DLEA Dimming leads externally accessible (controls by others) FAWS Field adjustable wattage selector BL50L3 PIR motion response dim to 50% L3 lens BL50L7 PIR motion response dim to 50% L7 lens DCC Dual circuit control	None - PCB ^{4,6} Photocontrol button TLR7 ⁶ 7-pin twist lock w/ 0-10v driver (non-D4i) TLRPC ^{4,6} 7-pin twist lock w/ 0-10v driver (non-D4i) & on/off photocell	Fusing F1 ⁴ Single fuse (120V, 277V, or 347V) F2 ⁴ Double fuse (208V, 240V, or 480V) F3 ⁴ Double fuse Canadian double pole (208V, 240V, or 480V) Surge Protection (10kA standard) SP2 Surge protector 20kV/10kA (option)	BK Black WH White BZ Bronze DG Dark gray MG Medium gray Customer specified OC Optional color (specify optional color or RAL, contact factory) SC Special color (must supply color chip, requires factory quote)
DALI				
DALI SR/DALI	None - CS50 Security 50 % dimming, 7 hours CM50 Median 50 % dimming, 8 hours CS30 Security 30 % dimming, 7 hours CM30 Median 30 % dimming, 8 hours SRDR ⁷ SR driver connected to Zhaga socket (D4i) WIAPHW Wireless Interact outdoor high mounting (15-40'), white housing WIAPHB Wireless Interact outdoor high mounting (15-40'), black housing DCC ⁵ Dual circuit control	None - PCB ^{4,6,9} Photocontrol button TR7 ^{6,7} 7-pin twist lock SR/DALI driver (D4i) TLP ^{4,6} 7-pin twist lock SR/DALI driver (D4i) & on/off photocell		

- Extended lead times apply. Contact factory for details.
- Mounts to a 4-5" round pole with adapter included for square poles.
- Limited to a maximum of 45 degrees aiming above horizontal.
- Must specify input voltage.
- Not available with HVU [347-480V] in A01-A04.
- Not allowed with DCC or Outdoor Interact (WIAP).
- For luminaire to be ZD4i compliant luminaire must include both SRDR and TR7.
- Only 3000K CCT and below are IDA International Dark Sky Approved.
- PCB not available with HVU [347-480V].



P26 PureForm LED large

Area light

PureForm P26 Accessories (ordered separately, field installed)

Shielding Accessories

Clip on back light shielding

For use with Lumen Selection A01-A05

P26-HIS-T23-2B	Internal house side shields. For optic types T2M, and T3M (qty 2)
P26-HIS-T4-2B	Internal house side shield for optic types T4M and T4W (qty 2)
P26-HIS-T5NMW-2B	Internal house side shield for optic types T5M, T5N and T5W (qty 2)

For use with Lumen Selection A06-A13

P26-HIS-T23-4B	Internal house side shields. For optic types T2M, and T3M (qty 4)
P26-HIS-T4-4B	Internal house side shield for optic types T4M and T4W (qty 4)
P26-HIS-T5NMW-4B	Internal house side shield for optic types T5M, T5N and T5W (qty 2)

Note: Shielding can be included in ordering guide (HIS) to be installed in the factory or ordered as an accessory to be installed in the field.

Controls Accessories

IRT9015	Handheld remote for grouping and configuration of Outdoor Interact WIAP (at least 1 recommended per site or use the Interact Pro app).
FSIR-100	Optional handheld remote for PIR motion sensor programming.

Pole Top Fitters

(F) = Specify finish

PTF2 - Pole top fitter fits 2¾-2½" OD x 4" depth tenon

P26-PTF2-1-90-(F)	1 luminaire at 90°
P26-PTF2-2-90-(F)	2 luminaires at 90°
P26-PTF2-2-180-(F)	2 luminaires at 180°
P26-PTF2-3-90-(F)	3 luminaires at 90°
P26-PTF2-4-90-(F)	4 luminaires at 90°
P26-PTF2-3-120-(F)	3 luminaires at 120°

PTF3 - Pole top fitter fits 3-3½" OD x 6" depth tenon

P26-PTF3-1-90-(F)	1 luminaire at 90°
P26-PTF3-2-90-(F)	2 luminaires at 90°
P26-PTF3-2-180-(F)	2 luminaires at 180°
P26-PTF3-3-90-(F)	3 luminaires at 90°
P26-PTF3-4-90-(F)	4 luminaires at 90°
P26-PTF3-3-120-(F)	3 luminaires at 120°

Mounting Accessories

(F) = Specify finish

P26-SF-G2-(F)	Slip fitter mount (fits to 2¾" O.D. tenon)
P26-RAM-G2-(F)	Retrofit arm mount kit
P26-WS-G2-(F)	Wall mount with surface conduit rear entry permitted
P26-BD-G2	Bird deterrent (order as an accessory)

P26 PureForm LED large

Area light

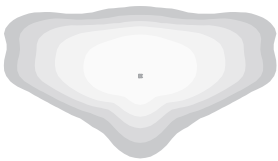
Predicted Lumen Depreciation Data

Predicted performance derived from LED manufacturer's data and engineering design estimates, based on IESNA LM-80 methodology. Actual experience may vary due to field application conditions. L₇₀ is the predicted time when LED performance depreciates to 70% of initial lumen output. Calculated per IESNA TM21-11. Published L₇₀ hours limited to 6 times actual LED test hours

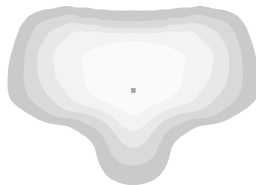
Ambient Temperature °C	Calculated L ₇₀ Hours	L ₇₀ per TM-21	Lumen Maintenance % at 70,000 hrs
25°C	>100,000 hours	>100,000 hours	>93%

Optical Distributions

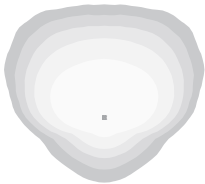
Type 2 Medium



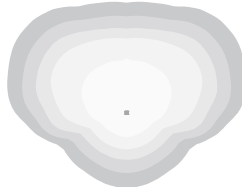
Type 3 Medium



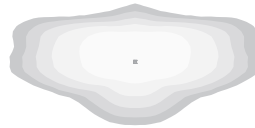
Type 4 Medium



Type 4 Wide



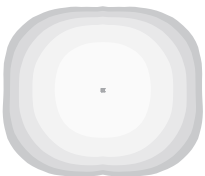
Autofront Row



Back Light Control



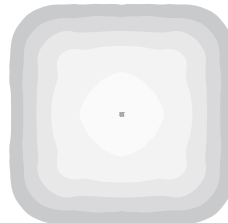
Type 5 Narrow



Type 5 Medium



Type 5 Wide



LCL



LCR



P26 PureForm LED large

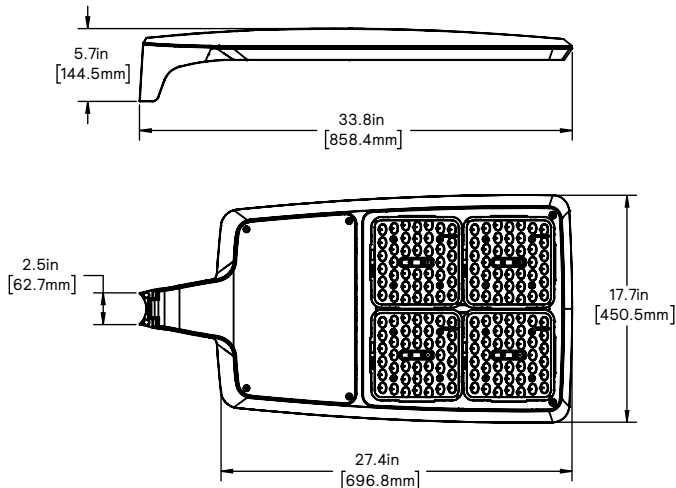
Area light

Dimensions

Standard Arm (AR)

Weight: 24 Lbs (10.9 Kg)

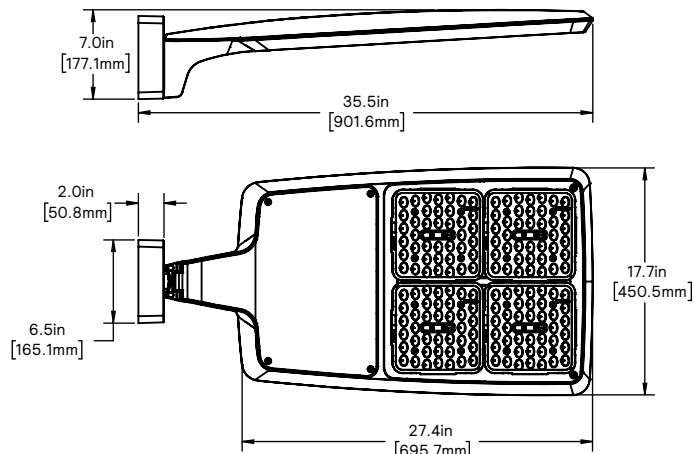
EPA: 0.42ft² (0.038m²)



Wall (WS)

Weight: 32.5 Lbs (14.7 Kg)

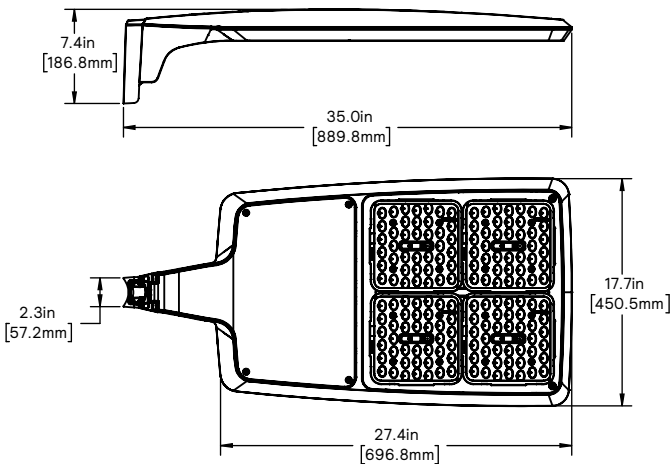
EPA: 0.56ft² (0.052m²)



Retrofit Arm (RAM)

Weight: 25 Lbs (11.3 Kg)

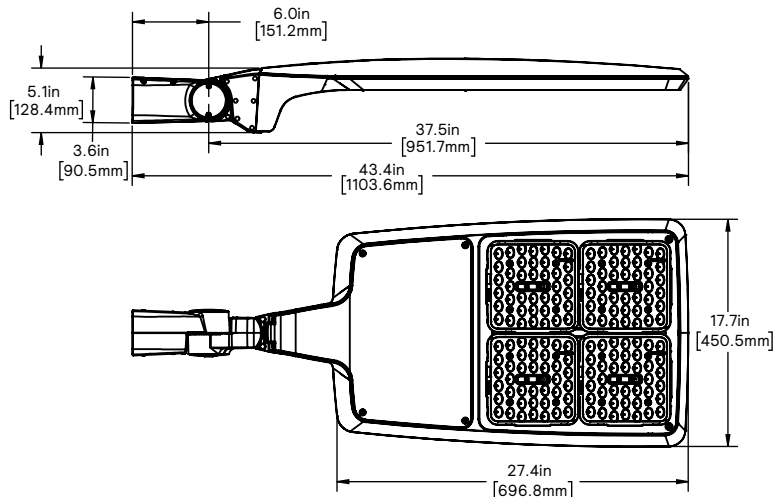
EPA: 0.56ft² (0.052m²)



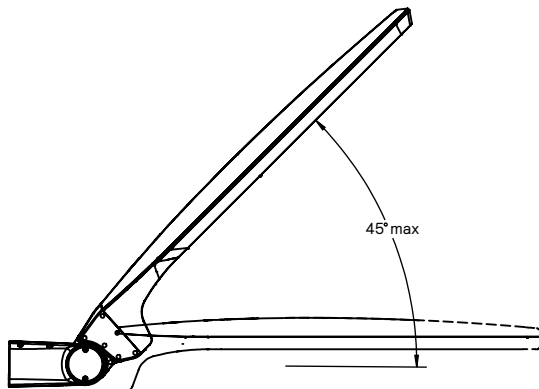
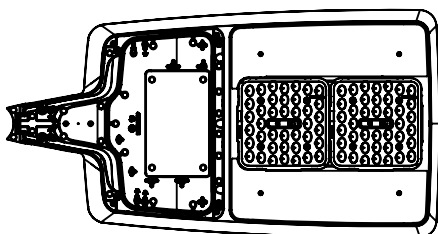
Slip Fitter (SF)

Weight: 30 Lbs (13.6 Kg)

EPA: 0.6ft² (0.055m²)



2 boards configuration



P26 PureForm LED large

Area light

P26 lumen values

LED Wattage and Lumen Values - 70CRI 3000K

Ordering Code	Average System Watts (W)	T2M			T3M			T4M			T4W		
		Lumen Output	BUG Rating	Efficacy (LPW)	Lumen Output	BUG Rating	Efficacy (LPW)	Lumen Output	BUG Rating	Efficacy (LPW)	Lumen Output	BUG Rating	Efficacy (LPW)
P26-A01-730-x	68	12,076	B3-U0-G3	178	11,861	B2-U0-G3	175	11,751	B2-U0-G3	173	11,689	B2-U0-G3	172
P26-A02-730-x	85	14,816	B3-U0-G3	174	14,552	B3-U0-G3	170	14,418	B2-U0-G3	169	14,342	B2-U0-G3	168
P26-A03-730-x	103	17,835	B3-U0-G3	173	17,517	B3-U0-G3	170	17,355	B2-U0-G3	168	17,264	B3-U0-G3	167
P26-A04-730-x	123	20,904	B3-U0-G3	170	20,531	B3-U0-G4	167	20,342	B3-U0-G4	166	20,235	B3-U0-G3	165
P26-A05-730-x	149	24,768	B3-U0-G3	167	24,327	B3-U0-G4	164	24,102	B3-U0-G4	162	23,976	B3-U0-G4	162
P26-A06-730-x	154	27,459	B3-U0-G3	179	26,970	B3-U0-G4	176	26,721	B3-U0-G4	174	26,580	B3-U0-G4	173
P26-A07-730-x	178	31,381	B4-U0-G4	176	30,822	B3-U0-G4	173	30,537	B3-U0-G4	172	30,377	B3-U0-G4	171
P26-A08-730-x	206	34,998	B4-U0-G4	170	34,375	B3-U0-G5	167	34,057	B3-U0-G5	166	33,878	B3-U0-G5	165
P26-A09-730-x	230	38,714	B4-U0-G4	169	38,024	B4-U0-G5	166	37,673	B3-U0-G5	164	37,475	B4-U0-G5	163
P26-A10-730-x	267	44,284	B4-U0-G4	166	43,495	B4-U0-G5	163	43,094	B4-U0-G5	161	42,867	B4-U0-G5	160
P26-A11-730-x	304	49,169	B4-U0-G4	162	48,294	B4-U0-G5	159	47,848	B4-U0-G5	158	47,596	B4-U0-G5	157
P26-A12-730-x	344	54,280	B5-U0-G5	158	53,313	B4-U0-G5	155	52,821	B4-U0-G5	154	52,543	B4-U0-G5	153
P26-A13-730-x	383	59,343	B5-U0-G5	155	58,286	B4-U0-G5	152	57,748	B4-U0-G5	151	57,443	B4-U0-G5	150
		T5M			T5N			T5W			AFR		
		Lumen Output	BUG Rating	Efficacy (LPW)	Lumen Output	BUG Rating	Efficacy (LPW)	Lumen Output	BUG Rating	Efficacy (LPW)	Lumen Output	BUG Rating	Efficacy (LPW)
		12,471	B4-U0-G2	184	12,588	B3-U0-G2	186	11,740	B4-U0-G3	173	12,463	B3-U0-G3	184
		15,301	B4-U0-G2	179	15,444	B4-U0-G2	181	14,404	B4-U0-G3	169	15,291	B3-U0-G3	179
		18,419	B4-U0-G2	178	18,590	B4-U0-G2	180	17,338	B4-U0-G3	168	18,407	B3-U0-G3	178
		21,589	B4-U0-G2	176	21,790	B4-U0-G2	178	20,322	B5-U0-G3	166	21,574	B3-U0-G3	176
		25,580	B5-U0-G3	172	25,818	B4-U0-G2	174	24,079	B5-U0-G4	162	25,563	B4-U0-G3	172
		28,358	B5-U0-G3	185	28,623	B5-U0-G3	186	26,695	B5-U0-G4	174	28,340	B4-U0-G4	184
		32,409	B5-U0-G3	182	32,711	B5-U0-G3	184	30,508	B5-U0-G4	172	32,388	B4-U0-G4	182
		36,145	B5-U0-G4	176	36,482	B5-U0-G3	177	34,024	B5-U0-G5	166	36,121	B4-U0-G4	176
		39,982	B5-U0-G4	174	40,355	B5-U0-G4	176	37,637	B5-U0-G5	164	39,956	B4-U0-G4	174
		45,735	B5-U0-G4	171	46,161	B5-U0-G4	173	43,052	B5-U0-G5	161	45,705	B4-U0-G4	171
		50,780	B5-U0-G4	167	51,254	B5-U0-G4	169	47,802	B5-U0-G5	157	50,747	B5-U0-G4	167
		56,058	B5-U0-G5	163	56,581	B5-U0-G4	165	52,770	B5-U0-G5	154	56,022	B5-U0-G4	163
		61,287	B5-U0-G5	160	61,858	B5-U0-G4	162	57,692	B5-U0-G5	151	61,247	B5-U0-G5	160
		BLC			LCL			LCR					
		Lumen Output	BUG Rating	Efficacy (LPW)	Lumen Output	BUG Rating	Efficacy (LPW)	Lumen Output	BUG Rating	Efficacy (LPW)			
		8,448	B1-U0-G2	125	5,598	-	83	5,598	-	83			
		10,365	B1-U0-G2	121	6,868	-	80	6,868	-	80			
		12,476	B1-U0-G2	121	8,268	-	80	8,268	-	80			
		14,624	B1-U0-G3	119	9,690	-	79	9,690	-	79			
		17,327	B1-U0-G3	117	11,482	-	77	11,482	-	77			
		19,210	B1-U0-G3	125	12,729	-	83	12,729	-	83			
		21,953	B1-U0-G4	123	14,547	-	82	14,547	-	82			
		24,483	B1-U0-G4	119	16,224	-	79	16,224	-	79			
		27,083	B1-U0-G4	118	17,947	-	78	17,947	-	78			
		30,980	B2-U0-G4	116	20,529	-	77	20,529	-	77			
		34,398	B2-U0-G5	113	22,794	-	75	22,794	-	75			
		37,973	B2-U0-G5	111	25,163	-	73	25,163	-	73			
		41,515	B2-U0-G5	108	27,510	-	72	27,510	-	72			

Values from photometric tests performed in accordance with IESNA LM-79 and are representative of the configurations shown. Actual performance may vary due to installation and environmental variables, LED and driver tolerances, and field measurement considerations. It is highly recommended to confirm performance with a photometric layout.

NOTE: Some data may be scaled based on tests of similar (but not identical) luminaires. Contact factory for configurations not shown.

P26 PureForm LED large

Area light

P26 lumen values

LED Wattage and Lumen Values - 70CRI 4000K

Ordering Code	Average System Watts (W)	T2M			T3M			T4M			T4W		
		Lumen Output	BUG Rating	Efficacy (LPW)	Lumen Output	BUG Rating	Efficacy (LPW)	Lumen Output	BUG Rating	Efficacy (LPW)	Lumen Output	BUG Rating	Efficacy (LPW)
P26-A01-740-x	68	12,141	B3-U0-G3	179	11,924	B2-U0-G3	176	11,814	B2-U0-G3	174	11,752	B2-U0-G3	173
P26-A02-740-x	85	14,896	B3-U0-G3	174	14,630	B3-U0-G3	171	14,495	B2-U0-G3	170	14,419	B2-U0-G3	169
P26-A03-740-x	103	17,931	B3-U0-G3	174	17,611	B3-U0-G3	171	17,449	B2-U0-G3	169	17,357	B3-U0-G3	168
P26-A04-740-x	123	21,016	B3-U0-G3	171	20,642	B3-U0-G4	168	20,451	B3-U0-G4	167	20,344	B3-U0-G3	166
P26-A05-740-x	149	24,902	B3-U0-G3	168	24,458	B3-U0-G4	165	24,232	B3-U0-G4	163	24,105	B3-U0-G4	162
P26-A06-740-x	154	27,607	B3-U0-G3	180	27,115	B3-U0-G4	176	26,865	B3-U0-G4	175	26,723	B3-U0-G4	174
P26-A07-740-x	178	31,550	B4-U0-G4	177	30,988	B3-U0-G4	174	30,702	B3-U0-G4	173	30,540	B3-U0-G4	172
P26-A08-740-x	206	35,187	B4-U0-G4	171	34,560	B3-U0-G5	168	34,241	B3-U0-G5	167	34,060	B3-U0-G5	166
P26-A09-740-x	230	38,923	B4-U0-G4	169	38,229	B4-U0-G5	166	37,876	B3-U0-G5	165	37,677	B4-U0-G5	164
P26-A10-740-x	267	44,523	B4-U0-G4	167	43,730	B4-U0-G5	164	43,326	B4-U0-G5	162	43,098	B4-U0-G5	161
P26-A11-740-x	304	49,434	B4-U0-G4	163	48,554	B4-U0-G5	160	48,105	B4-U0-G5	158	47,852	B4-U0-G5	158
P26-A12-740-x	344	54,573	B5-U0-G5	159	53,600	B4-U0-G5	156	53,106	B4-U0-G5	155	52,826	B4-U0-G5	154
P26-A13-740-x	383	59,662	B5-U0-G5	156	58,600	B4-U0-G5	153	58,059	B4-U0-G5	152	57,753	B4-U0-G5	151
		T5M			T5N			T5W			AFR		
		Lumen Output	BUG Rating	Efficacy (LPW)	Lumen Output	BUG Rating	Efficacy (LPW)	Lumen Output	BUG Rating	Efficacy (LPW)	Lumen Output	BUG Rating	Efficacy (LPW)
		12,538	B4-U0-G2	185	12,655	B3-U0-G2	187	11,803	B4-U0-G3	174	12,530	B3-U0-G3	185
		15,384	B4-U0-G2	180	15,527	B4-U0-G2	182	14,481	B4-U0-G3	170	15,374	B3-U0-G3	180
		18,518	B4-U0-G2	179	18,691	B4-U0-G2	181	17,432	B4-U0-G3	169	18,506	B3-U0-G3	179
		21,705	B4-U0-G2	177	21,907	B4-U0-G2	179	20,432	B5-U0-G3	167	21,691	B3-U0-G3	177
		25,717	B5-U0-G3	173	25,957	B5-U0-G3	175	24,209	B5-U0-G4	163	25,701	B4-U0-G3	173
		28,511	B5-U0-G3	186	28,777	B5-U0-G3	187	26,839	B5-U0-G4	175	28,493	B4-U0-G4	185
		32,584	B5-U0-G3	183	32,887	B5-U0-G3	185	30,672	B5-U0-G4	172	32,562	B4-U0-G4	183
		36,339	B5-U0-G4	177	36,678	B5-U0-G3	178	34,208	B5-U0-G5	166	36,315	B4-U0-G4	177
		40,198	B5-U0-G4	175	40,572	B5-U0-G4	177	37,840	B5-U0-G5	165	40,171	B4-U0-G4	175
		45,981	B5-U0-G4	172	46,410	B5-U0-G4	174	43,284	B5-U0-G5	162	45,951	B4-U0-G4	172
		51,054	B5-U0-G4	168	51,530	B5-U0-G4	170	48,059	B5-U0-G5	158	51,020	B5-U0-G4	168
		56,360	B5-U0-G5	164	56,886	B5-U0-G4	166	53,054	B5-U0-G5	154	56,324	B5-U0-G4	164
		61,617	B5-U0-G5	161	62,191	B5-U0-G4	162	58,003	B5-U0-G5	152	61,577	B5-U0-G5	161
		BLC			LCL			LCR					
		Lumen Output	BUG Rating	Efficacy (LPW)	Lumen Output	BUG Rating	Efficacy (LPW)	Lumen Output	BUG Rating	Efficacy (LPW)			
		8,930	B1-U0-G2	132	5,628	-	83	5,628	-	83			
		10,956	B1-U0-G2	128	6,905	-	81	6,905	-	81			
		13,189	B1-U0-G2	128	8,312	-	81	8,312	-	81			
		15,459	B1-U0-G3	126	9,743	-	79	9,743	-	79			
		18,316	B1-U0-G3	123	11,544	-	78	11,544	-	78			
		20,306	B1-U0-G4	132	12,798	-	83	12,798	-	83			
		23,206	B1-U0-G4	130	14,626	-	82	14,626	-	82			
		25,881	B1-U0-G4	126	16,312	-	79	16,312	-	79			
		28,629	B1-U0-G4	125	18,043	-	79	18,043	-	79			
		32,748	B2-U0-G5	123	20,639	-	77	20,639	-	77			
		36,361	B2-U0-G5	120	22,916	-	76	22,916	-	76			
		40,141	B2-U0-G5	117	25,298	-	74	25,298	-	74			
		43,885	B2-U0-G5	115	27,658	-	72	27,658	-	72			

Values from photometric tests performed in accordance with IESNA LM-79 and are representative of the configurations shown. Actual performance may vary due to installation and environmental variables, LED and driver tolerances, and field measurement considerations. It is highly recommended to confirm performance with a photometric layout.

NOTE: Some data may be scaled based on tests of similar (but not identical) luminaires. Contact factory for configurations not shown.

P26 PureForm LED large

Area light

P26 lumen values

LED Wattage and Lumen Values - 70CRI 5000K

Ordering Code	Average System Watts (W)	T2M			T3M			T4M			T4W		
		Lumen Output	BUG Rating	Efficacy (LPW)	Lumen Output	BUG Rating	Efficacy (LPW)	Lumen Output	BUG Rating	Efficacy (LPW)	Lumen Output	BUG Rating	Efficacy (LPW)
P26-A01-750-x	68	12,141	B3-U0-G3	179	11,924	B2-U0-G3	176	11,814	B2-U0-G3	174	11,752	B2-U0-G3	173
P26-A02-750-x	85	14,896	B3-U0-G3	174	14,630	B3-U0-G3	171	14,495	B2-U0-G3	170	14,419	B2-U0-G3	169
P26-A03-750-x	103	17,931	B3-U0-G3	174	17,611	B3-U0-G3	171	17,449	B2-U0-G3	169	17,357	B3-U0-G3	168
P26-A04-750-x	123	21,016	B3-U0-G3	171	20,642	B3-U0-G4	168	20,451	B3-U0-G4	167	20,344	B3-U0-G3	166
P26-A05-750-x	149	24,902	B3-U0-G3	168	24,458	B3-U0-G4	165	24,232	B3-U0-G4	163	24,105	B3-U0-G4	162
P26-A06-750-x	154	27,607	B3-U0-G3	180	27,115	B3-U0-G4	176	26,865	B3-U0-G4	175	26,723	B3-U0-G4	174
P26-A07-750-x	178	31,550	B4-U0-G4	177	30,988	B3-U0-G4	174	30,702	B3-U0-G4	173	30,540	B3-U0-G4	172
P26-A08-750-x	206	35,187	B4-U0-G4	171	34,560	B3-U0-G5	168	34,241	B3-U0-G5	167	34,060	B3-U0-G5	166
P26-A09-750-x	230	38,923	B4-U0-G4	169	38,229	B4-U0-G5	166	37,876	B3-U0-G5	165	37,677	B4-U0-G5	164
P26-A10-750-x	267	44,523	B4-U0-G4	167	43,730	B4-U0-G5	164	43,326	B4-U0-G5	162	43,098	B4-U0-G5	161
P26-A11-750-x	304	49,434	B4-U0-G4	163	48,554	B4-U0-G5	160	48,105	B4-U0-G5	158	47,852	B4-U0-G5	158
P26-A12-750-x	344	54,573	B5-U0-G5	159	53,600	B4-U0-G5	156	53,106	B4-U0-G5	155	52,826	B4-U0-G5	154
P26-A13-750-x	383	59,662	B5-U0-G5	156	58,600	B4-U0-G5	153	58,059	B4-U0-G5	152	57,753	B4-U0-G5	151
		T5M			T5N			T5W			AFR		
		Lumen Output	BUG Rating	Efficacy (LPW)	Lumen Output	BUG Rating	Efficacy (LPW)	Lumen Output	BUG Rating	Efficacy (LPW)	Lumen Output	BUG Rating	Efficacy (LPW)
		12,538	B4-U0-G2	185	12,655	B3-U0-G2	187	11,803	B4-U0-G3	174	12,530	B3-U0-G3	185
		15,384	B4-U0-G2	180	15,527	B4-U0-G2	182	14,481	B4-U0-G3	170	15,374	B3-U0-G3	180
		18,518	B4-U0-G2	179	18,691	B4-U0-G2	181	17,432	B4-U0-G3	169	18,506	B3-U0-G3	179
		21,705	B4-U0-G2	177	21,907	B4-U0-G2	179	20,432	B5-U0-G3	167	21,691	B3-U0-G3	177
		25,717	B5-U0-G3	173	25,957	B5-U0-G3	175	24,209	B5-U0-G4	163	25,701	B4-U0-G3	173
		28,511	B5-U0-G3	186	28,777	B5-U0-G3	187	26,839	B5-U0-G4	175	28,493	B4-U0-G4	185
		32,584	B5-U0-G3	183	32,887	B5-U0-G3	185	30,672	B5-U0-G4	172	32,562	B4-U0-G4	183
		36,339	B5-U0-G4	177	36,678	B5-U0-G3	178	34,208	B5-U0-G5	166	36,315	B4-U0-G4	177
		40,198	B5-U0-G4	175	40,572	B5-U0-G4	177	37,840	B5-U0-G5	165	40,171	B4-U0-G4	175
		45,981	B5-U0-G4	172	46,410	B5-U0-G4	174	43,284	B5-U0-G5	162	45,951	B4-U0-G4	172
		51,054	B5-U0-G4	168	51,530	B5-U0-G4	170	48,059	B5-U0-G5	158	51,020	B5-U0-G4	168
		56,360	B5-U0-G5	164	56,886	B5-U0-G4	166	53,054	B5-U0-G5	154	56,324	B5-U0-G4	164
		61,617	B5-U0-G5	161	62,191	B5-U0-G4	162	58,003	B5-U0-G5	152	61,577	B5-U0-G5	161
		BLC			LCL			LCR					
		Lumen Output	BUG Rating	Efficacy (LPW)	Lumen Output	BUG Rating	Efficacy (LPW)	Lumen Output	BUG Rating	Efficacy (LPW)			
		8,930	B1-U0-G2	132	5,628	-	83	5,628	-	83			
		10,956	B1-U0-G2	128	6,905	-	81	6,905	-	81			
		13,189	B1-U0-G2	128	8,312	-	81	8,312	-	81			
		15,459	B1-U0-G3	126	9,743	-	79	9,743	-	79			
		18,316	B1-U0-G3	123	11,544	-	78	11,544	-	78			
		20,306	B1-U0-G4	132	12,798	-	83	12,798	-	83			
		23,206	B1-U0-G4	130	14,626	-	82	14,626	-	82			
		25,881	B1-U0-G4	126	16,312	-	79	16,312	-	79			
		28,629	B1-U0-G4	125	18,043	-	79	18,043	-	79			
		32,748	B2-U0-G5	123	20,639	-	77	20,639	-	77			
		36,361	B2-U0-G5	120	22,916	-	76	22,916	-	76			
		40,141	B2-U0-G5	117	25,298	-	74	25,298	-	74			
		43,885	B2-U0-G5	115	27,658	-	72	27,658	-	72			

Values from photometric tests performed in accordance with IESNA LM-79 and are representative of the configurations shown. Actual performance may vary due to installation and environmental variables, LED and driver tolerances, and field measurement considerations. It is highly recommended to confirm performance with a photometric layout.

NOTE: Some data may be scaled based on tests of similar (but not identical) luminaires. Contact factory for configurations not shown.

P26 PureForm LED large

Area light

P26 lumen values

LED Wattage and Lumen Values -80CRI 3000K

Ordering Code	Average System Watts (W)	T2M			T3M			T4M			T4W		
		Lumen Output	BUG Rating	Efficacy (LPW)	Lumen Output	BUG Rating	Efficacy (LPW)	Lumen Output	BUG Rating	Efficacy (LPW)	Lumen Output	BUG Rating	Efficacy (LPW)
P26-A01-830-x	68	10,840	B2-U0-G2	160	10,647	B2-U0-G2	157	10,549	B2-U0-G2	156	10,493	B2-U0-G3	155
P26-A02-830-x	85	13,300	B3-U0-G3	156	13,063	B2-U0-G3	153	12,942	B2-U0-G3	152	12,874	B2-U0-G3	151
P26-A03-830-x	103	16,009	B3-U0-G3	155	15,724	B3-U0-G3	152	15,579	B2-U0-G3	151	15,497	B3-U0-G3	150
P26-A04-830-x	123	18,765	B3-U0-G3	153	18,430	B3-U0-G3	150	18,260	B2-U0-G3	149	18,164	B3-U0-G3	148
P26-A05-830-x	149	22,234	B3-U0-G3	150	21,838	B3-U0-G4	147	21,636	B3-U0-G4	146	21,522	B3-U0-G4	145
P26-A06-830-x	154	24,649	B3-U0-G3	160	24,210	B3-U0-G4	158	23,986	B3-U0-G4	156	23,860	B3-U0-G4	155
P26-A07-830-x	178	28,170	B3-U0-G3	158	27,668	B3-U0-G4	156	27,412	B3-U0-G4	154	27,268	B3-U0-G4	153
P26-A08-830-x	206	31,417	B4-U0-G4	153	30,857	B3-U0-G4	150	30,572	B3-U0-G4	149	30,411	B3-U0-G4	148
P26-A09-830-x	230	34,752	B4-U0-G4	151	34,133	B3-U0-G5	149	33,818	B3-U0-G5	147	33,640	B3-U0-G5	146
P26-A10-830-x	267	39,752	B4-U0-G4	149	39,044	B4-U0-G5	146	38,684	B3-U0-G5	145	38,480	B4-U0-G5	144
P26-A11-830-x	304	44,138	B4-U0-G4	145	43,351	B4-U0-G5	143	42,951	B4-U0-G5	141	42,725	B4-U0-G5	141
P26-A12-830-x	344	48,726	B4-U0-G4	142	47,858	B4-U0-G5	139	47,416	B4-U0-G5	138	47,166	B4-U0-G5	137
P26-A13-830-x	383	53,270	B5-U0-G5	139	52,321	B4-U0-G5	137	51,838	B4-U0-G5	135	51,565	B4-U0-G5	135
		T5M			T5N			T5W			AFR		
		Lumen Output	BUG Rating	Efficacy (LPW)	Lumen Output	BUG Rating	Efficacy (LPW)	Lumen Output	BUG Rating	Efficacy (LPW)	Lumen Output	BUG Rating	Efficacy (LPW)
		11,195	B4-U0-G2	165	11,299	B3-U0-G2	167	10,538	B4-U0-G3	155	11,188	B3-U0-G2	165
		13,735	B4-U0-G2	161	13,863	B4-U0-G2	162	12,930	B4-U0-G3	151	13,726	B3-U0-G3	161
		16,534	B4-U0-G2	160	16,688	B4-U0-G2	162	15,564	B4-U0-G3	151	16,523	B3-U0-G3	160
		19,379	B4-U0-G2	158	19,560	B4-U0-G2	159	18,243	B5-U0-G3	149	19,367	B3-U0-G3	158
		22,962	B5-U0-G3	155	23,176	B4-U0-G2	156	21,615	B5-U0-G4	146	22,947	B3-U0-G3	155
		25,456	B5-U0-G3	166	25,694	B4-U0-G2	167	23,963	B5-U0-G4	156	25,440	B4-U0-G3	166
		29,092	B5-U0-G3	164	29,364	B5-U0-G3	165	27,386	B5-U0-G4	154	29,073	B4-U0-G4	163
		32,446	B5-U0-G3	158	32,748	B5-U0-G3	159	30,543	B5-U0-G4	149	32,424	B4-U0-G4	158
		35,891	B5-U0-G4	156	36,225	B5-U0-G3	158	33,786	B5-U0-G5	147	35,867	B4-U0-G4	156
		41,055	B5-U0-G4	154	41,437	B5-U0-G4	155	38,646	B5-U0-G5	145	41,028	B4-U0-G4	153
		45,584	B5-U0-G4	150	46,009	B5-U0-G4	152	42,910	B5-U0-G5	141	45,554	B4-U0-G4	150
		50,322	B5-U0-G4	146	50,791	B5-U0-G4	148	47,370	B5-U0-G5	138	50,289	B4-U0-G4	146
		55,015	B5-U0-G5	144	55,528	B5-U0-G4	145	51,788	B5-U0-G5	135	54,979	B5-U0-G4	144
		BLC			LCL			LCR					
		Lumen Output	BUG Rating	Efficacy (LPW)	Lumen Output	BUG Rating	Efficacy (LPW)	Lumen Output	BUG Rating	Efficacy (LPW)			
		7,483	B1-U0-G2	110	5,025	-	74	5,025	-	74			
		9,181	B1-U0-G2	108	6,165	-	72	6,165	-	72			
		11,052	B1-U0-G2	107	7,422	-	72	7,422	-	72			
		12,954	B1-U0-G2	106	8,699	-	71	8,699	-	71			
		15,349	B1-U0-G3	103	10,307	-	69	10,307	-	69			
		17,017	B1-U0-G3	111	11,427	-	74	11,427	-	74			
		19,447	B1-U0-G3	109	13,059	-	73	13,059	-	73			
		21,688	B1-U0-G4	106	14,564	-	71	14,564	-	71			
		23,991	B1-U0-G4	104	16,110	-	70	16,110	-	70			
		27,443	B1-U0-G4	103	18,428	-	69	18,428	-	69			
		30,471	B2-U0-G4	100	20,461	-	67	20,461	-	67			
		33,638	B2-U0-G5	98	22,588	-	66	22,588	-	66			
		36,775	B2-U0-G5	96	24,695	-	65	24,695	-	65			

Values from photometric tests performed in accordance with IESNA LM-79 and are representative of the configurations shown. Actual performance may vary due to installation and environmental variables, LED and driver tolerances, and field measurement considerations. It is highly recommended to confirm performance with a photometric layout.

NOTE: Some data may be scaled based on tests of similar (but not identical) luminaires. Contact factory for configurations not shown.

P26 PureForm LED large

Area light

P26 lumen values

LED Wattage and Lumen Values -80CRI 4000K

Ordering Code	Average System Watts (W)	T2M			T3M			T4M			T4W		
		Lumen Output	BUG Rating	Efficacy (LPW)	Lumen Output	BUG Rating	Efficacy (LPW)	Lumen Output	BUG Rating	Efficacy (LPW)	Lumen Output	BUG Rating	Efficacy (LPW)
P26-A01-840-x	68	11,381	B2-U0-G2	168	11,178	B2-U0-G2	165	11,075	B2-U0-G2	163	11,017	B2-U0-G3	163
P26-A02-840-x	85	13,963	B3-U0-G3	164	13,715	B2-U0-G3	161	13,588	B2-U0-G3	159	13,516	B2-U0-G3	158
P26-A03-840-x	103	16,808	B3-U0-G3	163	16,509	B3-U0-G3	160	16,356	B2-U0-G3	158	16,270	B3-U0-G3	158
P26-A04-840-x	123	19,701	B3-U0-G3	161	19,350	B3-U0-G3	158	19,171	B3-U0-G3	156	19,070	B3-U0-G3	155
P26-A05-840-x	149	23,343	B3-U0-G3	157	22,927	B3-U0-G4	154	22,716	B3-U0-G4	153	22,596	B3-U0-G4	152
P26-A06-840-x	154	25,879	B3-U0-G3	168	25,418	B3-U0-G4	165	25,183	B3-U0-G4	164	25,051	B3-U0-G4	163
P26-A07-840-x	178	29,575	B4-U0-G4	166	29,048	B3-U0-G4	163	28,780	B3-U0-G4	162	28,629	B3-U0-G4	161
P26-A08-840-x	206	32,984	B4-U0-G4	160	32,397	B3-U0-G5	158	32,098	B3-U0-G5	156	31,929	B3-U0-G5	155
P26-A09-840-x	230	36,486	B4-U0-G4	159	35,836	B4-U0-G5	156	35,506	B3-U0-G5	155	35,319	B3-U0-G5	154
P26-A10-840-x	267	41,736	B4-U0-G4	156	40,993	B4-U0-G5	153	40,614	B3-U0-G5	152	40,400	B4-U0-G5	151
P26-A11-840-x	304	46,340	B4-U0-G4	153	45,515	B4-U0-G5	150	45,095	B4-U0-G5	149	44,857	B4-U0-G5	148
P26-A12-840-x	344	51,157	B4-U0-G5	149	50,246	B4-U0-G5	146	49,782	B4-U0-G5	145	49,520	B4-U0-G5	144
P26-A13-840-x	383	55,928	B5-U0-G5	146	54,932	B4-U0-G5	144	54,425	B4-U0-G5	142	54,138	B4-U0-G5	141
		T5M			T5N			T5W			AFR		
		Lumen Output	BUG Rating	Efficacy (LPW)	Lumen Output	BUG Rating	Efficacy (LPW)	Lumen Output	BUG Rating	Efficacy (LPW)	Lumen Output	BUG Rating	Efficacy (LPW)
		11,754	B4-U0-G2	173	11,863	B3-U0-G2	175	11,064	B4-U0-G3	163	11,746	B3-U0-G3	173
		14,421	B4-U0-G2	169	14,555	B4-U0-G2	170	13,575	B4-U0-G3	159	14,411	B3-U0-G3	169
		17,359	B4-U0-G2	168	17,521	B4-U0-G2	170	16,341	B4-U0-G3	158	17,348	B3-U0-G3	168
		20,346	B4-U0-G2	166	20,536	B4-U0-G2	167	19,153	B5-U0-G3	156	20,333	B3-U0-G3	166
		24,108	B5-U0-G3	162	24,333	B4-U0-G2	164	22,694	B5-U0-G4	153	24,092	B3-U0-G3	162
		26,727	B5-U0-G3	174	26,976	B5-U0-G3	176	25,159	B5-U0-G4	164	26,709	B4-U0-G3	174
		30,544	B5-U0-G3	172	30,829	B5-U0-G3	173	28,753	B5-U0-G4	162	30,524	B4-U0-G4	172
		34,065	B5-U0-G4	166	34,382	B5-U0-G3	167	32,067	B5-U0-G5	156	34,042	B4-U0-G4	166
		37,682	B5-U0-G4	164	38,033	B5-U0-G3	166	35,471	B5-U0-G5	154	37,657	B4-U0-G4	164
		43,103	B5-U0-G4	161	43,505	B5-U0-G4	163	40,575	B5-U0-G5	152	43,075	B4-U0-G4	161
		47,858	B5-U0-G4	158	48,304	B5-U0-G4	159	45,051	B5-U0-G5	148	47,827	B4-U0-G4	158
		52,833	B5-U0-G4	154	53,325	B5-U0-G4	155	49,734	B5-U0-G5	145	52,798	B5-U0-G4	154
		57,760	B5-U0-G5	151	58,299	B5-U0-G4	152	54,372	B5-U0-G5	142	57,723	B5-U0-G5	151
		BLC			LCL			LCR					
		Lumen Output	BUG Rating	Efficacy (LPW)	Lumen Output	BUG Rating	Efficacy (LPW)	Lumen Output	BUG Rating	Efficacy (LPW)			
		7,957	B1-U0-G2	117	5,276	-	78	5,276	-	78			
		9,762	B1-U0-G2	114	6,473	-	76	6,473	-	76			
		11,751	B1-U0-G2	114	7,792	-	75	7,792	-	75			
		13,774	B1-U0-G3	112	9,133	-	74	9,133	-	74			
		16,320	B1-U0-G3	110	10,821	-	73	10,821	-	73			
		18,093	B1-U0-G3	118	11,997	-	78	11,997	-	78			
		20,677	B1-U0-G4	116	13,710	-	77	13,710	-	77			
		23,060	B1-U0-G4	112	15,291	-	74	15,291	-	74			
		25,509	B1-U0-G4	111	16,914	-	74	16,914	-	74			
		29,179	B2-U0-G4	109	19,348	-	72	19,348	-	72			
		32,398	B2-U0-G5	107	21,482	-	71	21,482	-	71			
		35,765	B2-U0-G5	104	23,715	-	69	23,715	-	69			
		39,101	B2-U0-G5	102	25,927	-	68	25,927	-	68			

Values from photometric tests performed in accordance with IESNA LM-79 and are representative of the configurations shown. Actual performance may vary due to installation and environmental variables, LED and driver tolerances, and field measurement considerations. It is highly recommended to confirm performance with a photometric layout.

NOTE: Some data may be scaled based on tests of similar (but not identical) luminaires. Contact factory for configurations not shown.

P26 PureForm LED large

Area light

Specifications

Housing

Two-piece sealed enclosure with main part of the housing designed as the structural and heat sink frame enclosed by cover to give its unique form. It also includes integral arm and separate, self-retained hinged, one-piece die cast door. All die-cast parts made of low copper die cast aluminum alloy for a high resistance to corrosion. The sleek profile with optimized surface area allows housing to provide excellent heat transfer with minimum use of heat fins, giving the freedom to have a clean minimalist aesthetic design. Luminaire housing rated to IP66, tested in accordance to Section 9 of IEC 60598-1.

Vibration resistance

Luminaire is tested and rated Level 2 for Bridge and Overpass application (formerly 3G) cycles conforming to standards set forth by ANSI C136.31-2023. Testing includes vibration to 3G acceleration in three axes, all performed on the same luminaire.

Light engine

Light engine comprises of a module of 40-LED aluminum metal clad board fully sealed with optics offered in multiples of 2 or 4 modules depending on lumen package selection. A01-A05 use 2 LED modules, A06-A13 come with 4 LED modules. Module is RoHS compliant. Color temperature as per ANSI/NEMA bin 2700 Kelvin nominal (2725 ±145K), 3000 Kelvin nominal (3045K +/- 175K) or 4000 Kelvin nominal (3985K +/- 275K), CRI 70 Min. 75 Typical. Other CCT/CRI also available, consult factory. LED light engine is rated IP66 in accordance to Section 9 of IEC 60598-1. Contact factory for details. LED light engine is rated IP66 in accordance to Section 9 of IEC 60598-1.

Energy saving benefits

System efficacy up to 185 lms/W with significant energy savings over legacy technology luminaires. Optional control options provide added energy savings during unoccupied periods.

Optical systems

Types 2M, 3M, 4M, 4W, 5N, 5M, 5W, and Auto Front Row distributions available. Back light control (BLC) and Corner optics (LCL,RCL) optics are offered to meet LEED Standards and to provide the best lighting control possible for stringent requirements around property lines. All optics when specified and used as rotated, are factory set only. Performance tested per LM-79 and TM-15 (IESNA) certifying its photometric performance. Luminaire designed with 0% uplight (U0 per IESNA TM-15).

Mounting

Standard luminaire arm mounts to 4" O.D. round poles. Can also be used with 5" O.D. poles. Square pole adapter included with every luminaire. Round Pole Adapter (RPA) required for 3-3.9" poles. PureForm features a retrofit arm kit. When specified with the retrofit arm (RAM) option, PureForm seamlessly simplifies site conversions to LED by eliminating the need for additional pole drilling on most existing poles. RAM will be boxed separately. Also optional are slipfitter and wall mounting accessories. Note that only fixed mounts (AR, RAM, WS) are required to meet IDA Dark Sky compliance. SF mounting will not meet IDA.

Control options

DLEA: Access to 0-10V dimming leads supplied through the yoke of the luminaire (for secondary dimming controls by others). Cannot be used with other control options.

Sensor Ready Zhaga Socket Connector (SRDR): Product is D4i Certified and equipped with Sensor Ready drivers connected to 4-pin Zhaga Book 18 compliant receptacle designed for sensor and other control system applications. Receptacle is rated IP66 assembly in a compact design that provides a sealed electrical interface and rated UV resistance, mounted on underside of the luminaire, protective dust cap included. When a controller not provided by Signify is used with Sensor Ready Zhaga socket connector, the controller must be certified to work with the Xitanium SR LED drivers as part of the SR certified program. SRDR can be used with NEMA 7-pin twist lock receptacle, which is mounted on top of the luminaire. D4i certification validates compliance with specifications for data exchange in connected lighting systems, ensuring interoperability, compatibility, and efficient operation. It also assures customers that the device meets industry standards.

Dual Circuit Control (DCC): Luminaire equipped with the ability to have two separate circuits controlling drivers and light engines independently. Permits separate switching of separate modules controlled by use of two sets of leads, one for each circuit. Not recommended to be used with other control options, motion response, or photocells.

Automatic Profile Dimming (CM/CA): Standard dimming profiles provide flexibility towards energy savings goals while optimizing light levels during specific dark hours. Dimming profiles include two dimming settings including dim to 30% or 50% of the total lumen output. Automatic dimming profile scheduled with the following settings:

- **CS50/CS30:** Security for 7 hours night duration (Ex., 11 PM – 6 AM)
- **CM50/CM30:** Median for 8 hours night duration (Ex., 10 PM – 6 AM)

All above profiles are calculated from mid point of the night. Dimming is set for 6 hours after the mid point and 1 or 2 hours before depending of the duration of dimming. Time clock or photocell is required for on/off functionality to allow for midpoint calculation. Cannot be used with other dimming control options.

Field Adjustable Wattage Selector (FAWS): Luminaire equipped with the ability to manually adjust the wattage in the field to reduce total luminaire lumen output and light levels. Comes pre-set to the highest of 10 output positions. Consult factory for specific dimming settings for each position.

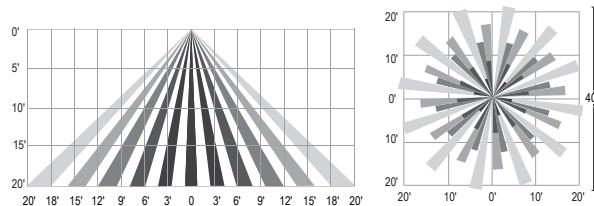
P26 A05-A07			P26 A08-A13		
FAWS Position	Typical Delivered Lumens Multiplier	Typical System Wattage	FAWS Position	Typical Delivered Lumens Multiplier	Typical System Wattage
1	0.27	0.29	1	0.12	0.12
2	0.49	0.52	2	0.23	0.24
3	0.57	0.61	3	0.30	0.32
4	0.70	0.72	4	0.41	0.44
5	0.74	0.77	5	0.48	0.51
6	0.81	0.80	6	0.56	0.59
7	0.88	0.83	7	0.65	0.68
8	0.92	0.93	8	0.74	0.76
9	0.98	0.98	9	0.81	0.83
10	1.00	1.00	10	1.00	1.00

Motion response options

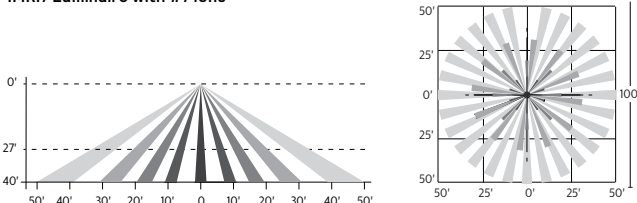
BL50L2/BL50L3: Motion Response module is mounted integral to luminaire factory pre-programmed to 50% dimming. BL50Lx options are set/operate in the following fashion: The motion sensor is set to a constant 50% dim. When motion is detected by the PIR sensor, the luminaire returns to full power/light output. Low dimming is factory set to 50% with 5 minutes default in "full power" prior to dimming back to low. When no motion is detected for 5 minutes, the motion response system reduces the wattage by 50%, to 50% of the normal constant wattage reducing the light level. Other dimming settings can be provided if different dimming levels are required through use of option FSIR 100 programming remote or if alternate programming is required from the factory consult technical support.

Infrared Motion Response Lenses (BL50L3/BL50L7): Lens #3 (L3) is designed for higher mounting heights up to 20' with a 40' diameter coverage area. Lens #7 (L7) is designed for higher mounting heights up to 40' with larger coverage areas up to 100' diameter coverage area. See charts for approximate detection patterns.

IMR13 Luminaire with #3 lens



IMR17 Luminaire with #7 lens



P26 PureForm LED large

Area light

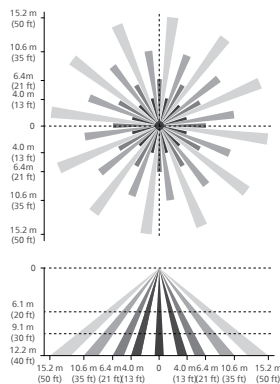
Specifications (continued)

Outdoor Interact: Scalable connected sensor with integral occupancy and daylight sensing, supports wireless mesh connectivity. Sensor works in the Foundation mode when configured without a gateway or in an Interact Advanced mode if a compatible gateway (can be added later) is used. Interact offers an app, a portal and a broad portfolio of Interact ready Indoor and Outdoor luminaires, lamps and retrofit kits all working on the same system. Startup is implemented via Interact Pro App (available in iOS® or Android®) and Bluetooth® connectivity. The app provides flexibility to choose between a gateway or non gateway mode for setup. Setup with the gateway requires wired Internet access to the gateway. Prepare project configuration steps remotely and use IRT9015 remote accessory (ordered separately) or the App on-site to identify and group devices together. WIAP includes SR driver and SR receptacle. Daylight harvesting supported through dimming – activated via the Interact app. Sensors are available in black or white finish. IP66 rated.

For more information on Interact visit:

<https://www.interact-lighting.com/en-us/interact-offering>

HB or HW high sensor



Note: The beam patterns shown are intended solely as a general guide and are not to scale. Sensing capabilities and coverage area depend on many factors including the size, speed and direction of travel of persons and vehicles; sensor mounting height; environmental and site conditions; etc.

Electrical

Driver: Driver efficiency (>90% standard). 120-480V available (restrictions apply). Open/short circuit protection. RoHS compliant.

Surge protection (SP1/SP2): Surge protection device tested in accordance with ANSI/IEEE C62.45 per ANSI/IEEE C62.41.2 Scenario I Category C High Exposure 10kV/10kA waveforms for Line-Ground, Line-Neutral and Neutral-Ground, and in accordance with DOE MSSLC Model Specification for LED Roadway Luminaires Appendix D Electrical Immunity High test level 10kV/10kA. 20kV / 10kA surge protection device that provides extra protection beyond the SP1 10kV/10kA level.

Button Photocontrol (PCB): Button style design for internal luminaires mounting applications. The photocontrol is constructed of a high impact UV stabilized polycarbonate housing. Rated input voltage must be specified 120V, 208-277V, 347V, or 480V with a load rating of 1000 VA. The photocell will turn on with 1-4Fc of ambient light.

Twist-Lock Receptacle (TLR7/TLRPC): TLR options come with 7 pins connected to 0-10V driver. Not all pins will be connected. Dimming Receptacle Type D-24 (7-pin) in accordance to ANSI C136.41. can be used with third-party control system. Receptacle located on top of luminaire housing. When specified with receptacle and photoelectric cell(TLRPC), 7-pin receptacle is supplier and voltage must be specified. When ordering Twist-lock receptacle (TLR7), photocell or shorting cap is not included. If Twistlock receptacle option is ordered with Dimming Control option, then dimming leads from driver will not be connected to TLR but consumed by selected device. Devices installed to NEMA twist-lock Receptacle must be IPX6 rated.

Twist-Lock Receptacle (TR7/TLP): TR7 includes (Type D-24) connected to SR/DALI driver with all leads connected for use of 3rd party control systems. Receptacles are in accordance to ANSI C136.41. Receptacle located on top of luminaire housing. When specified with receptacle and photoelectric cell (TRPC), 7-pin receptacle is supplied and voltage must be specified. When ordering Twist-lock receptacle (TR7), photocell or shorting cap is not included.

Listings

UL/cUL wet location listed to the UL 1598 standard. All configurations suitable for use in ambient temperatures from -40° to 40°C (-40° to 104°F) without shielding. A01-A12 UL rated up +50°C without shielding. With Shielding A01-A11 up to 50°C, A12-A13 rated to 25°C. Most PureForm P26 configurations are qualified under Premium DesignLights Consortium® category. Consult DLC Qualified Products list to confirm your specific luminaire selection is approved. CCTs 3000K and warmer are IDA Dark Sky Listed. Luminaire selection is approved. CCTs 3000K and warmer are IDA Dark Sky Listed.

Finish

Each standard color luminaire receives a fade and abrasion resistant, electrostatically applied, thermally cured, triglycidal isocyanurate (TGIC) textured polyester powdercoat finish. The surface treatment achieves a minimum of 1000 hours for salt spray resistant finish in accordance with testing performed and per ASTM B117 standard. Standard colors include bronze (BZ), black (BK), white (WH), dark gray (DGY), and medium gray (MGY). Consult factory for specs on optional or custom colors.

Service Tag

Each individual luminaire is uniquely identifiable, thanks to the Service tag application. With a simple scan of a QR code, placed on the inside of the mast door, you gain instant access to the luminaire configuration, making installation and maintenance operations faster and easier, no matter what stage of the luminaire's lifetime. Just download the app and register your product. For more details visit: signify.com/servicetag

Warranty

PureForm luminaires feature a 5-year limited warranty. See signify.com/warranties for complete details and exclusions.

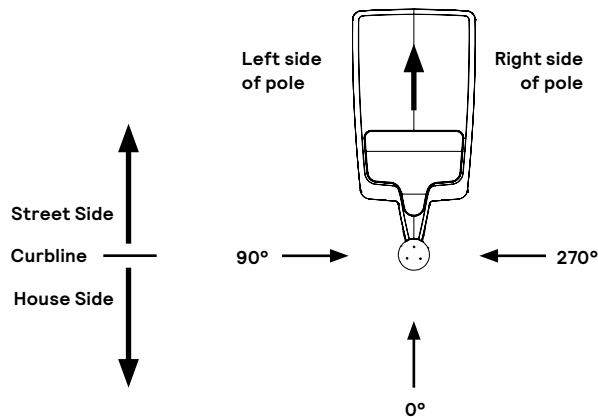
P26 PureForm LED large

Area light

Optical Orientation Information

Standard Optic Position

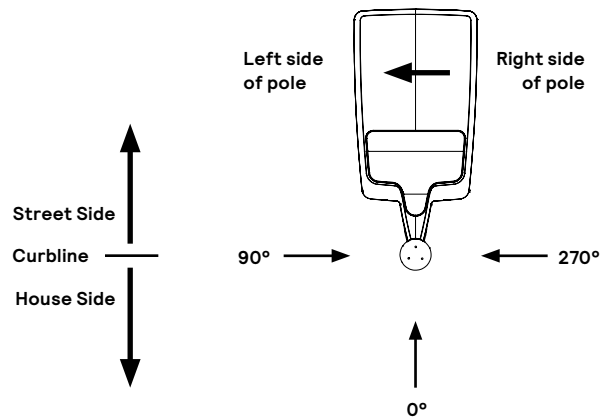
Luminaires ordered with asymmetric optical systems in the standard optic position will have the optical system oriented as shown below:



Note: The hand hole will normally be located on the pole at the 0° point.

Optic Rotated Left (90°) Optic Position

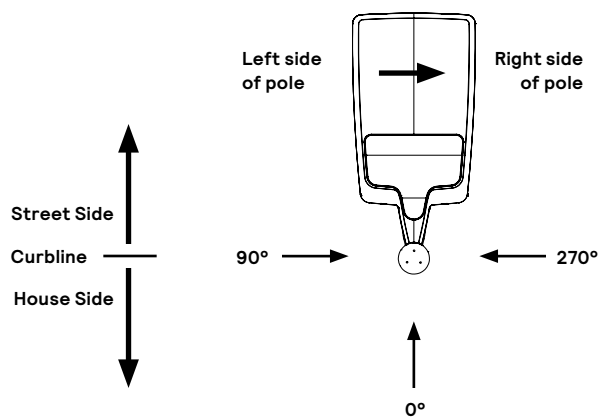
Luminaires ordered with optical systems in the Optic Rotated Left (90°) optic position will have the optical system oriented as shown below (Type 5 and 5W optics are not available with factory set rotatable optics):



Note: The hand hole will normally be located on the pole at the 0° point.

Optic Rotated Right (270°) Optic Position

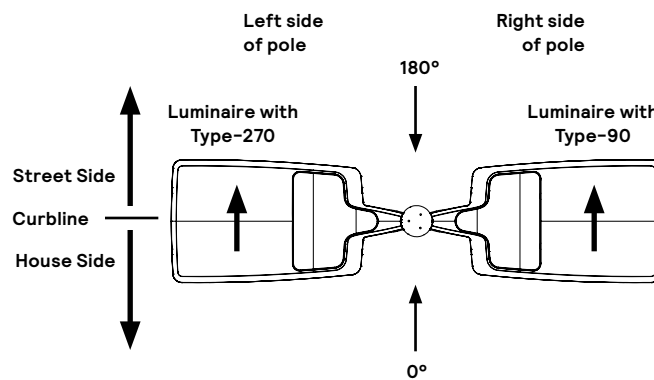
Luminaires ordered with optical systems in the Optic Rotated Right (270°) optic position will have the optical system oriented as shown below (Type 5 and 5W optics are not available with factory set rotatable optics):



Note: The hand hole will normally be located on the pole at the 0° point.

Twin Luminaire Assemblies with Type-90/Type-270 Rotated Optical Systems

Twin luminaire assemblies installed with rotated optical systems are an excellent way to direct light toward the interior of the site (Street Side) without additional equipment. It is important, however, that care be exercised to insure that luminaires are installed in the proper location.



Luminaires with Optic Rotated Right (270°) are installed on the LEFT side of pole

Luminaires with Optic Rotated Left (90°) are installed on the RIGHT side of pole

Note: The hand hole location will depend on the drilling configuration ordered for the pole.