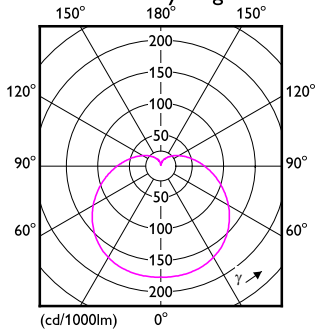


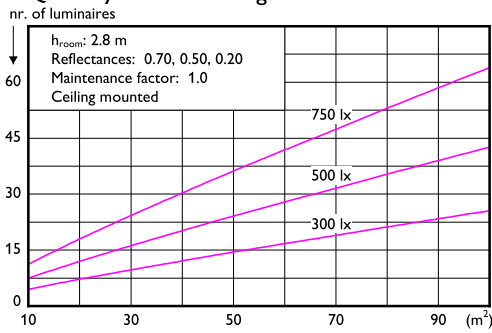
**1 x 9290044351 2700k 14w**

1 x 1521 lm

**Polar intensity diagram**



**Quantity estimation diagram**



Light output ratio 1.00  
 Service upward 0.22  
 Service downward 0.78

CIE flux code 34 62 84 78 100

**Utilisation factor table**

Room Index k	Reflectances (%) for ceiling, walls and working plane (CIE)											
	0.80	0.80	0.70	0.70	0.70	0.70	0.50	0.50	0.30	0.30	0.00	0.00
0.60	0.39	0.38	0.38	0.37	0.36	0.28	0.27	0.22	0.25	0.20	0.17	0.17
0.80	0.49	0.46	0.47	0.45	0.44	0.36	0.34	0.29	0.31	0.27	0.22	0.22
1.00	0.57	0.53	0.54	0.52	0.51	0.43	0.40	0.34	0.37	0.32	0.27	0.27
1.25	0.65	0.59	0.62	0.59	0.57	0.49	0.46	0.40	0.42	0.38	0.32	0.32
1.50	0.71	0.64	0.67	0.64	0.62	0.54	0.51	0.45	0.47	0.42	0.36	0.36
2.00	0.81	0.72	0.76	0.72	0.69	0.62	0.58	0.53	0.54	0.50	0.43	0.43
2.50	0.87	0.77	0.82	0.78	0.74	0.68	0.63	0.59	0.58	0.55	0.48	0.48
3.00	0.92	0.81	0.87	0.82	0.77	0.72	0.67	0.63	0.62	0.59	0.51	0.51
4.00	0.98	0.85	0.93	0.87	0.82	0.77	0.72	0.68	0.67	0.64	0.56	0.56
5.00	1.03	0.88	0.97	0.90	0.85	0.81	0.75	0.72	0.70	0.67	0.59	0.59

Ceiling mounted

**Luminance Table**

Plane Cone	0.0	15.0	30.0	45.0	60.0	75.0	90.0
45.0							
50.0							
55.0							
60.0	Cannot draw luminance table: the apparent area equals zero.						
65.0							
70.0							
75.0							
80.0							
85.0							
90.0							

(cd/m<sup>2</sup>)

2026-01-28