



TUV T5 - Small diameter lamps for professional applications

TUV T5

TUV T5 lamps are single- or double-ended UV-C 253.7 nm emitting lamps. The small 16 mm diameter of the lamp allows for a small system design and design flexibility. TUV T5 lamps offer constant UV output over their complete lifetime.

Benefits

- Controlled UV-C output over lifetime of the lamp
- High system efficacy
- Good environmental choice because of lowest amount of mercury.

Features

- Short-wave UV radiation with a peak at 253.7 nm (UV-C)
- Small diameter
- Protective inside coating ensures almost constant UV output over the complete lifetime of the lamp.
- Lamp glass filters out the 185 nm ozone-forming radiation
- High temperature and UV-resistant lamp bases
- High Output versions available for optimum UVC output per lamp length, allowing for further reduction of system size
- Warning sign on lamp indicates that the lamp radiates UVC

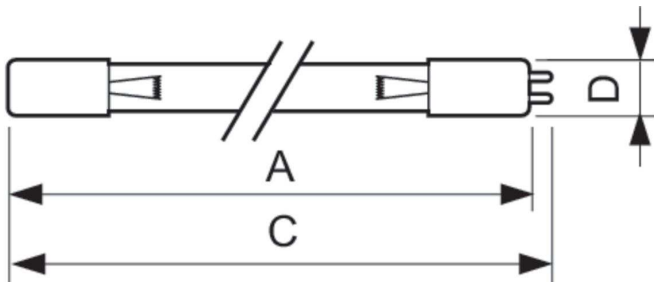
Application

- Air treatment systems
- Industrial water treatment systems
- Small municipal water treatment systems
- Swimming pool units
- Residential drinking water units

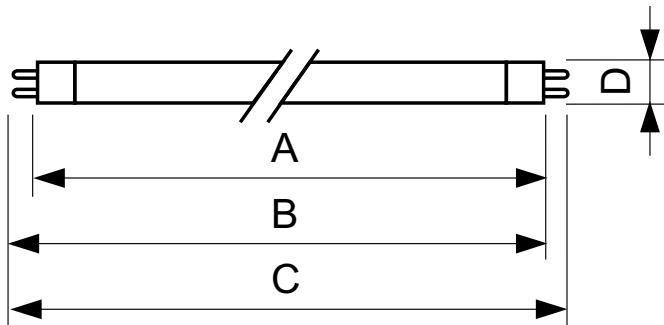
Warnings and Safety

- A lamp breaking is extremely unlikely to have any impact on your health. If a lamp breaks, ventilate the room for 30 minutes and remove the parts, preferably with gloves. Put them in a sealed plastic bag and take it to your local waste facilities for recycling. Do not use a vacuum cleaner.
- DANGER: Risk Group 3 Ultra Violet product. These lamps emit high-power UV radiation that can cause severe injury to skin and eyes. Avoid eye and skin exposure to unshielded product. Use only in an enclosed environment which shields users from the radiation.
- Plants and/or materials that are exposed to UV-C and/or ozone for a long time may become damaged and/or discolored.

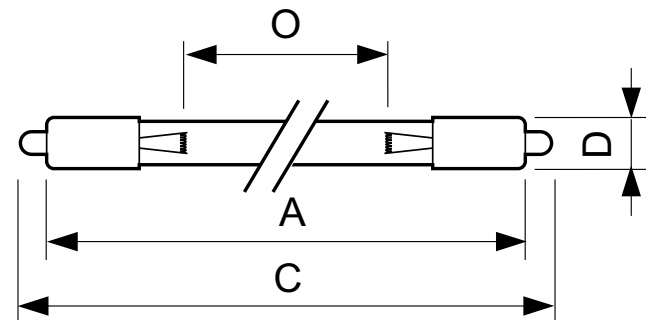
Dimensional drawing



| Product | D (max) | C (max) | A (max) |
|--------------------------|---------|------------|------------|
| TUV 24T5 HE 4P SE | 19.5 mm | 700.7 mm | |
| TUV 24T5 HO 4P SE | 19.5 mm | 700.7 mm | |
| TUV 36T5 HE 4P SE UNP/32 | 19.3 mm | 853 mm | 845.4 mm |
| TUV 36T5 HO 4P SE UNP/32 | 19.3 mm | 853 mm | 845.4 mm |
| TUV 48T5 HE 4P SE | 19.5 mm | 1,156.7 mm | |
| TUV 48T5 HO 4P SE | 19.5 mm | 1,156.7 mm | |
| TUV 64T5 HE 4P SE UNP/32 | 19.3 mm | 1,564.5 mm | 1,556.6 mm |
| TUV 64T5 HO 4P SE UNP/32 | 19.3 mm | 1,564.5 mm | 1,555.2 mm |



| Product | D | C | A |
|-----------------------|---------|------------|----------|
| TUV 22T5 HO G5 | 16 mm | 531.1 mm | 516.9 mm |
| TUV 24T5 HE G5 | 16.0 mm | 675.2 mm | |
| TUV 24T5 HO G5 | 16.0 mm | 675.2 mm | |
| TUV 36T5 HE G5 UNP 40 | 16 mm | 827.6 mm | |
| TUV 36T5 HO G5 UNP 40 | 16 mm | 827.6 mm | |
| TUV 48T5 HE G5 | 16.0 mm | 1,131.2 mm | |
| TUV 48T5 HO G5 | 16.0 mm | 1,131.2 mm | |
| TUV 64T5 HE G5 UNP 40 | 16 mm | 1,538.8 mm | |
| TUV 64T5 HO G5 UNP 40 | 16 mm | 1,538.8 mm | |



| Product | D (max) | O | C (max) | A (max) |
|-----------------------|---------|----------|------------|------------|
| TUV 36T5 SP NO/32 | 18.6 mm | 762 mm | 863.9 mm | 845.4 mm |
| TUV 64T5 HE SP UNP/32 | 18.6 mm | 1,473 mm | 1,575.1 mm | 1,556.6 mm |

Light Technical

Color Designation -

General Information

| Order Code | Full Product Name | Cap-Base |
|--------------|--------------------------|------------------|
| 927948204099 | TUV 24T5 HE 4P SE | - |
| 927948304099 | TUV 24T5 HO 4P SE | - |
| 927948604099 | TUV 48T5 HE 4P SE | - |
| 927948704099 | TUV 48T5 HO 4P SE | - |
| 927970204099 | TUV 36T5 HE 4P SE UNP/32 | 4PINSSINGLEENDED |
| 927970704099 | TUV 64T5 HE 4P SE UNP/32 | 4PINSSINGLEENDED |
| 927971104099 | TUV 64T5 HO 4P SE UNP/32 | 4PINSSINGLEENDED |
| 927972104099 | TUV 36T5 HO 4P SE UNP/32 | 4PINSSINGLEENDED |
| 927928204024 | TUV 24T5 HE G5 | G5 |
| 927928304014 | TUV 24T5 HO G5 | G5 |

| Order Code | Full Product Name | Cap-Base |
|--------------|-----------------------|------------|
| 927928704024 | TUV 48T5 HE G5 | G5 |
| 927928804014 | TUV 48T5 HO G5 | G5 |
| 928000204024 | TUV 36T5 HE G5 UNP 40 | G5 |
| 928000304014 | TUV 64T5 HO G5 UNP 40 | G5 |
| 928000404024 | TUV 64T5 HE G5 UNP 40 | G5 |
| 928002404014 | TUV 36T5 HO G5 UNP 40 | G5 |
| 928007404099 | TUV 22T5 HO G5 | G5 |
| 927970004099 | TUV 36T5 SP NO/32 | Single Pin |
| 927970504099 | TUV 64T5 HE SP UNP/32 | Single Pin |

Light Technical

| Order Code | Full Product Name | Color Code |
|--------------|--------------------------|------------|
| 927948204099 | TUV 24T5 HE 4P SE | - |
| 927948304099 | TUV 24T5 HO 4P SE | - |
| 927948604099 | TUV 48T5 HE 4P SE | - |
| 927948704099 | TUV 48T5 HO 4P SE | - |
| 927970204099 | TUV 36T5 HE 4P SE UNP/32 | - |
| 927970704099 | TUV 64T5 HE 4P SE UNP/32 | - |
| 927971104099 | TUV 64T5 HO 4P SE UNP/32 | - |
| 927972104099 | TUV 36T5 HO 4P SE UNP/32 | - |
| 927928204024 | TUV 24T5 HE G5 | - |
| 927928304014 | TUV 24T5 HO G5 | - |

| Order Code | Full Product Name | Color Code |
|--------------|-----------------------|------------|
| 927928704024 | TUV 48T5 HE G5 | - |
| 927928804014 | TUV 48T5 HO G5 | - |
| 928000204024 | TUV 36T5 HE G5 UNP 40 | - |
| 928000304014 | TUV 64T5 HO G5 UNP 40 | - |
| 928000404024 | TUV 64T5 HE G5 UNP 40 | - |
| 928002404014 | TUV 36T5 HO G5 UNP 40 | - |
| 928007404099 | TUV 22T5 HO G5 | TUV |
| 927970004099 | TUV 36T5 SP NO/32 | - |
| 927970504099 | TUV 64T5 HE SP UNP/32 | - |

Operating and Electrical

| Order Code | Full Product Name | Lamp Current (Nom) | Power Consumption |
|--------------|--------------------------|--------------------|-------------------|
| 927948204099 | TUV 24T5 HE 4P SE | 0.425 A | 33 W |
| 927948304099 | TUV 24T5 HO 4P SE | 0.8 A | 61 W |
| 927948604099 | TUV 48T5 HE 4P SE | 0.425 A | 58.4 W |
| 927948704099 | TUV 48T5 HO 4P SE | 0.8 A | 107 W |
| 927970204099 | TUV 36T5 HE 4P SE UNP/32 | 0.425 A | 40 W |
| 927970704099 | TUV 64T5 HE 4P SE UNP/32 | 0.425 A | 75 W |
| 927971104099 | TUV 64T5 HO 4P SE UNP/32 | 0.8 A | 140 W |
| 927972104099 | TUV 36T5 HO 4P SE UNP/32 | 0.8 A | 75 W |
| 927928204024 | TUV 24T5 HE G5 | 0.425 A | 33 W |
| 927928304014 | TUV 24T5 HO G5 | 0.8 A | 61 W |

| Order Code | Full Product Name | Lamp Current (Nom) | Power Consumption |
|--------------|-----------------------|--------------------|-------------------|
| 927928704024 | TUV 48T5 HE G5 | 0.425 A | 58.4 W |
| 927928804014 | TUV 48T5 HO G5 | 0.8 A | 107 W |
| 928000204024 | TUV 36T5 HE G5 UNP 40 | 0.425 A | 40 W |
| 928000304014 | TUV 64T5 HO G5 UNP 40 | 0.8 A | 145 W |
| 928000404024 | TUV 64T5 HE G5 UNP 40 | 0.425 A | 75 W |
| 928002404014 | TUV 36T5 HO G5 UNP 40 | 0.8 A | 75 W |
| 928007404099 | TUV 22T5 HO G5 | 0.8 A | 48 W |
| 927970004099 | TUV 36T5 SP NO/32 | 0.425 A | 40 W |
| 927970504099 | TUV 64T5 HE SP UNP/32 | 0.425 A | 75 W |

Mechanical and Housing

| Order Code | Full Product Name | Bulb Shape |
|--------------|-------------------|------------|
| 927948204099 | TUV 24T5 HE 4P SE | - |
| 927948304099 | TUV 24T5 HO 4P SE | - |
| 927948604099 | TUV 48T5 HE 4P SE | - |

| Order Code | Full Product Name | Bulb Shape |
|--------------|--------------------------|------------|
| 927948704099 | TUV 48T5 HO 4P SE | - |
| 927970204099 | TUV 36T5 HE 4P SE UNP/32 | - |
| 927970704099 | TUV 64T5 HE 4P SE UNP/32 | - |

| Order Code | Full Product Name | Bulb Shape |
|--------------|--------------------------|------------|
| 927971104099 | TUV 64T5 HO 4P SE UNP/32 | - |
| 927972104099 | TUV 36T5 HO 4P SE UNP/32 | - |
| 927928204024 | TUV 24T5 HE G5 | - |
| 927928304014 | TUV 24T5 HO G5 | - |
| 927928704024 | TUV 48T5 HE G5 | - |
| 927928804014 | TUV 48T5 HO G5 | - |
| 928000204024 | TUV 36T5 HE G5 UNP 40 | - |

| Order Code | Full Product Name | Bulb Shape |
|--------------|-----------------------|------------|
| 928000304014 | TUV 64T5 HO G5 UNP 40 | - |
| 928000404024 | TUV 64T5 HE G5 UNP 40 | - |
| 928002404014 | TUV 36T5 HO G5 UNP 40 | - |
| 928007404099 | TUV 22T5 HO G5 | T5 |
| 927970004099 | TUV 36T5 SP NO/32 | - |
| 927970504099 | TUV 64T5 HE SP UNP/32 | - |

Approval and Application

| Order Code | Full Product Name | Mercury (Hg) Content (Nom) |
|--------------|--------------------------|----------------------------|
| 927948204099 | TUV 24T5 HE 4P SE | 3.0 mg |
| 927948304099 | TUV 24T5 HO 4P SE | 5.5 mg |
| 927948604099 | TUV 48T5 HE 4P SE | 3.0 mg |
| 927948704099 | TUV 48T5 HO 4P SE | 5.5 mg |
| 927970204099 | TUV 36T5 HE 4P SE UNP/32 | 3.0 mg |
| 927970704099 | TUV 64T5 HE 4P SE UNP/32 | - |
| 927971104099 | TUV 64T5 HO 4P SE UNP/32 | 5.5 mg |
| 927972104099 | TUV 36T5 HO 4P SE UNP/32 | 5.5 mg |
| 927928204024 | TUV 24T5 HE G5 | 3.0 mg |
| 927928304014 | TUV 24T5 HO G5 | 5.5 mg |

| Order Code | Full Product Name | Mercury (Hg) Content (Nom) |
|--------------|-----------------------|----------------------------|
| 927928704024 | TUV 48T5 HE G5 | 3.0 mg |
| 927928804014 | TUV 48T5 HO G5 | 5.5 mg |
| 928000204024 | TUV 36T5 HE G5 UNP 40 | 3.0 mg |
| 928000304014 | TUV 64T5 HO G5 UNP 40 | 5.5 mg |
| 928000404024 | TUV 64T5 HE G5 UNP 40 | 3.0 mg |
| 928002404014 | TUV 36T5 HO G5 UNP 40 | 5.5 mg |
| 928007404099 | TUV 22T5 HO G5 | 5.5 mg |
| 927970004099 | TUV 36T5 SP NO/32 | 3.0 mg |
| 927970504099 | TUV 64T5 HE SP UNP/32 | 3.0 mg |

