

# PHILIPS

## CoreLine Tempo All-in

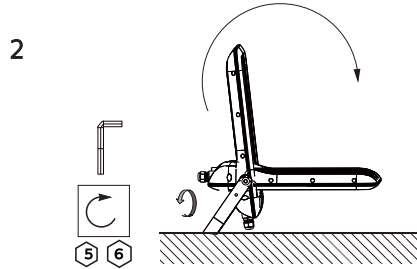
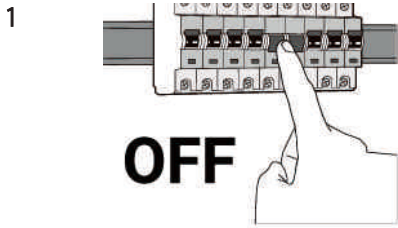
### Driver/SPD for BVP102, BVP103, BVP104

220V 50Hz  
 240V 60Hz

Magnetic

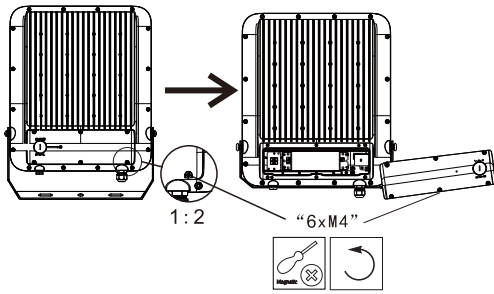
17  
19

5 6

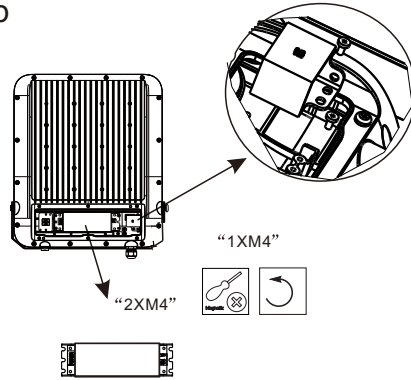


12NC	Description
911401872090	A LED DRIVER AND SPD FOR BVP102
911401872190	A LED DRIVER AND SPD FOR BVP103
911401872290	A LED DRIVER AND SPD FOR BVP104

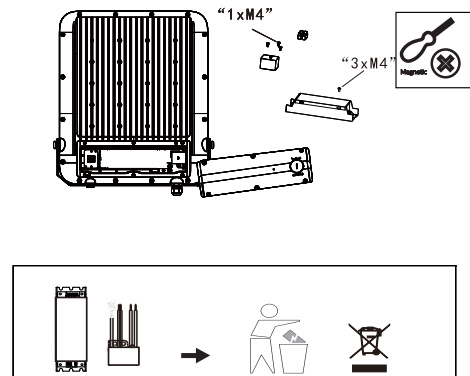
### 3a Disassemble



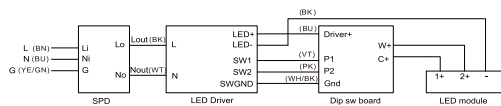
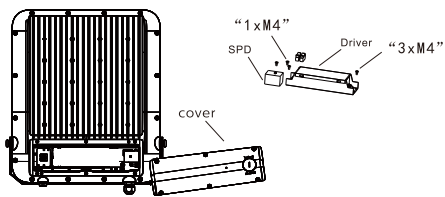
### 3b



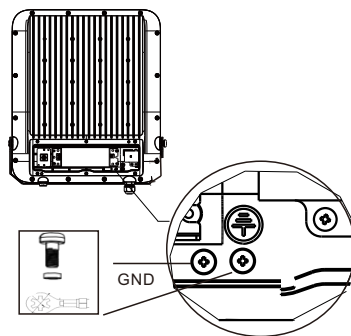
### 3c



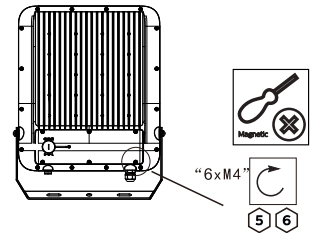
### 4a Install



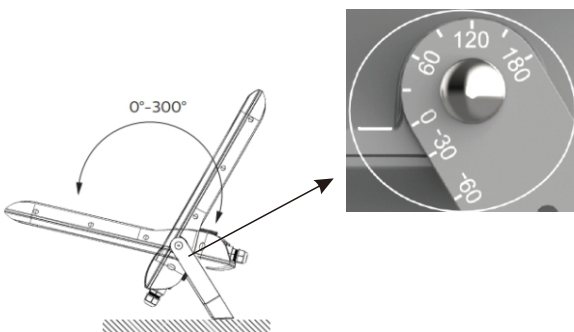
### 4b



### 4c



### 5



### 6

