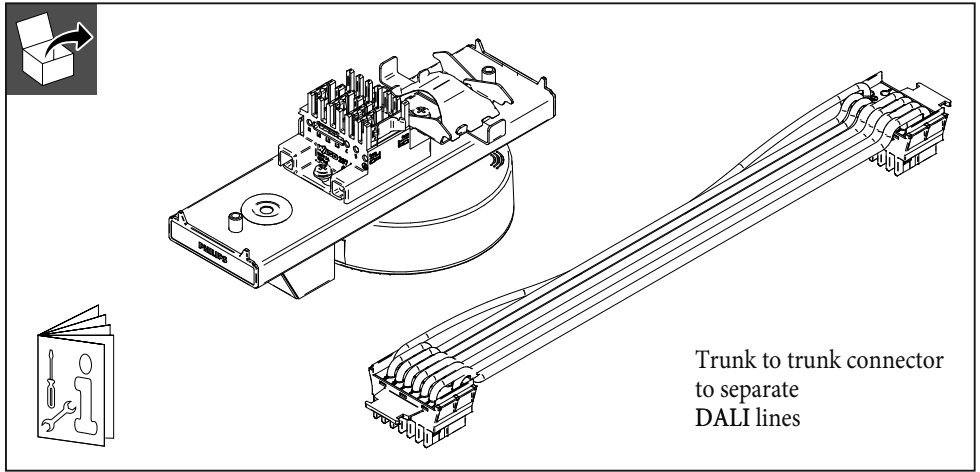


PHILIPS

Maxos fusion

LL500E Gen2



LL500E H4 Gen2

0,6

FRONT SIDE

BACK SIDE

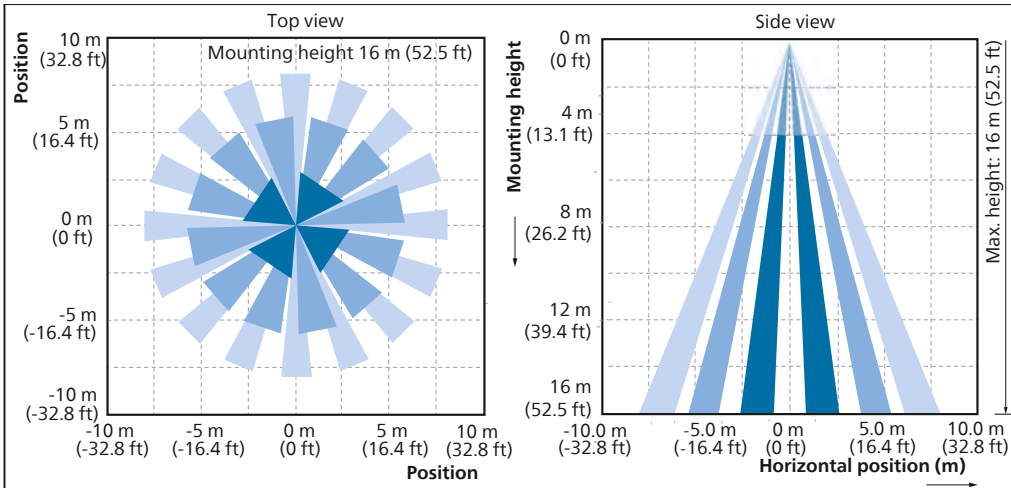
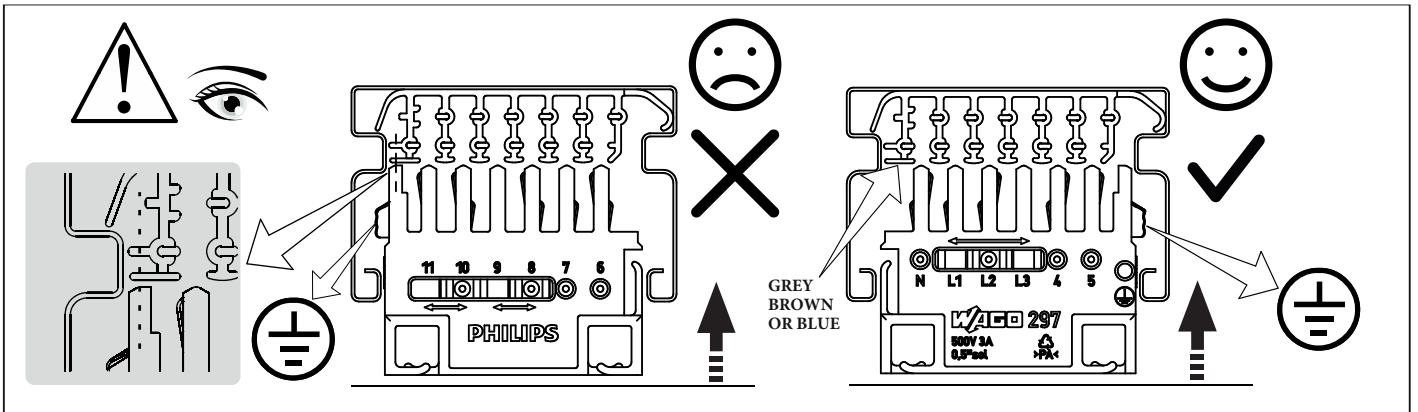
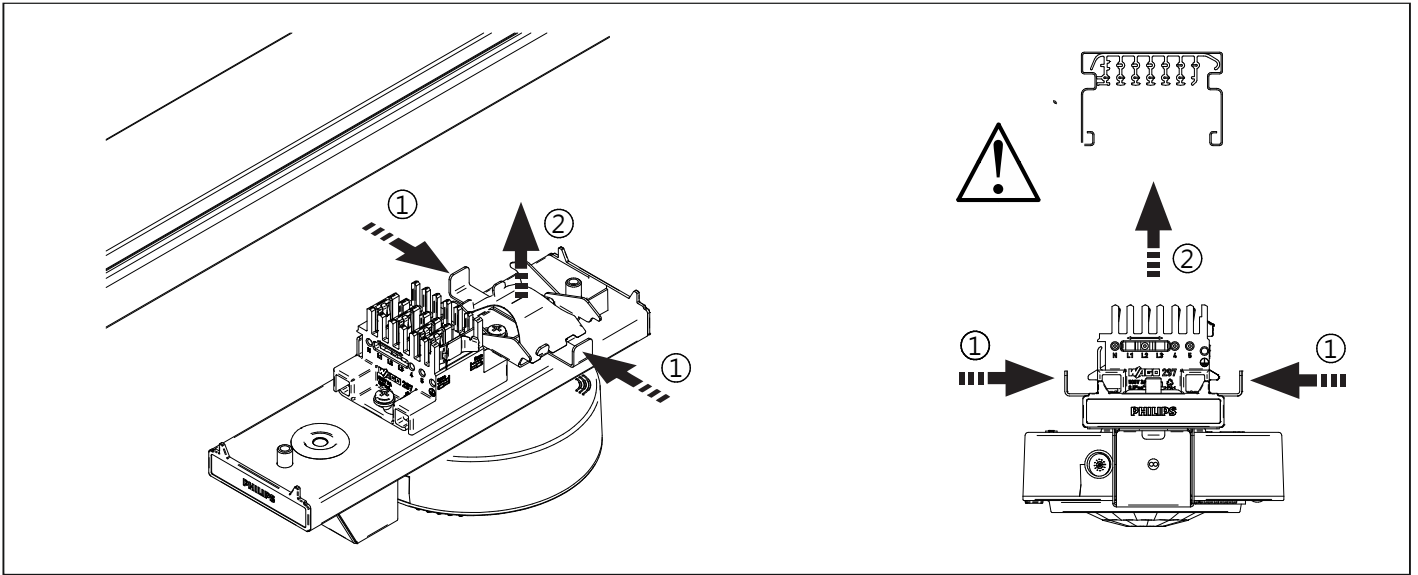
| | | FRONT SIDE | | | | | BACK SIDE | | | | | Trunk Compatibility | | | |
|----------------|----|------------|----|----|-----|-----|-----------|---|---|---|----|---------------------|------------|------------|-------------|
| PE | N | L1 | L2 | L3 | 4 | 5 | 6 | 7 | 8 | 9 | 10 | 11 | LL...T7... | LL...T9... | LL...T13... |
| LL500E H4 Gen2 | PE | | | | DA+ | DA- | | | | | | | ✓ | ✓ | ✓ |

- IMPORTANT INFORMATION - READ BEFORE INSTALLATION

- for use with panels with SRD, SIA drivers. **DON'T USE** with PSD, DIA drivers (high risk of DAMAGE)
- **use trunk to trunk connector supplied with the sensor unit to separate DALI lines between two trunks to separate a group of 1 sensor + max. 4 drivers from another group along the light line**
- use max. 4 panels per one DALI line segment
- do not connect more than one sensor unit to one DALI line segment
- do not connect more than one emergency light unit to one DALI line segment
- do not connect any external power sources to DALI
- max 25 m distance (line-of-sight) between sensor units



442710472832
2024-07-30
© Signify Holding
All rights reserved

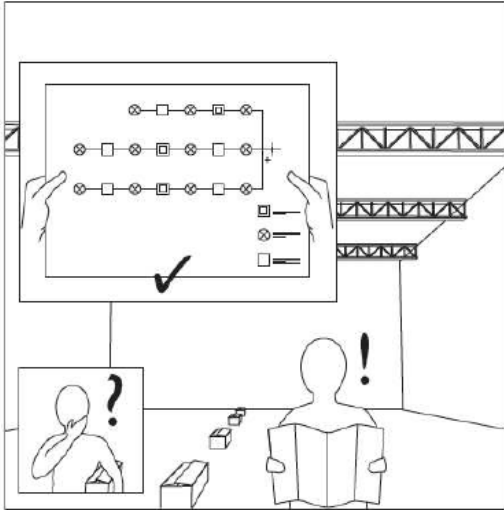


PIR occupancy sensing

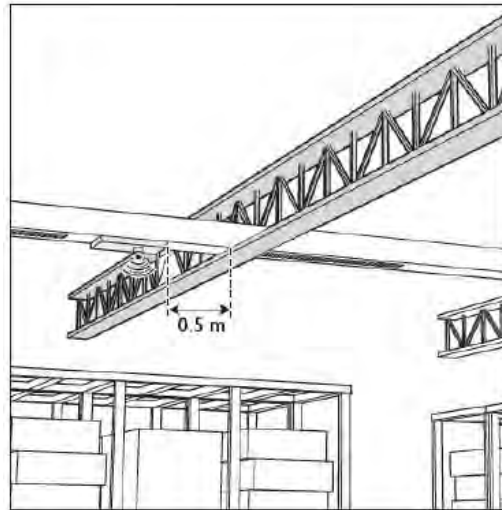
Notes

- The white areas are blind spots and the detection is based on the motion of the subject. An idle subject may not continue to trigger occupancy detection once the hold time expires.
- As PIR based sensing works on temperature difference between the subject and the ground level, the occupancy detection could vary due to clothing and size of the subject.

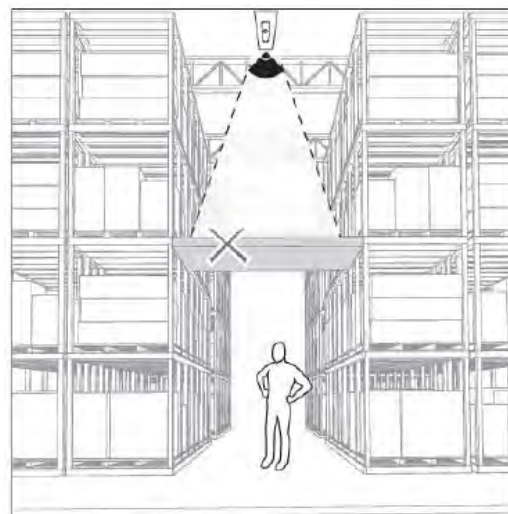
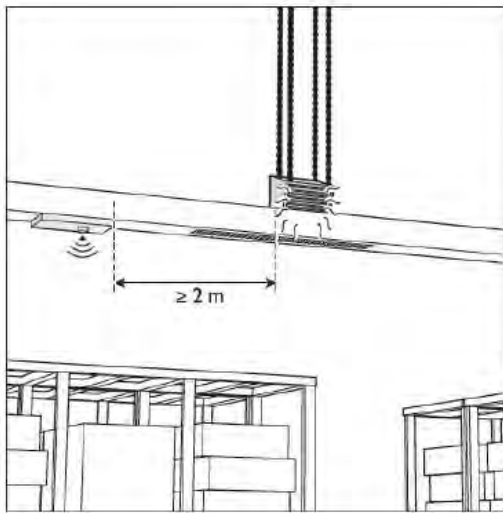
Measurements are valid at 25 °C and comply to the NEMA standard.



You must have a lighting plan, if you install the warehouse system.



Do not install the warehouse system control unit close to steel or concrete constructions.



Do not block the view of the warehouse system sensor.