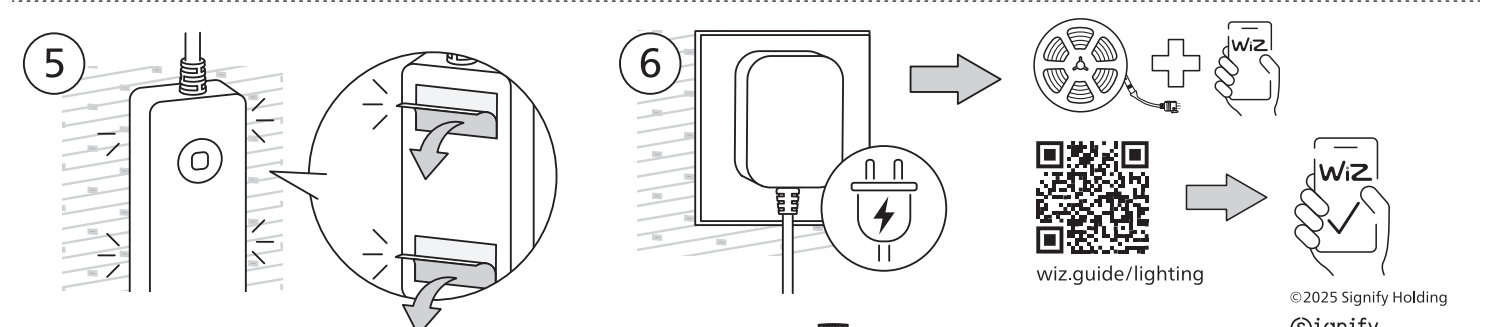
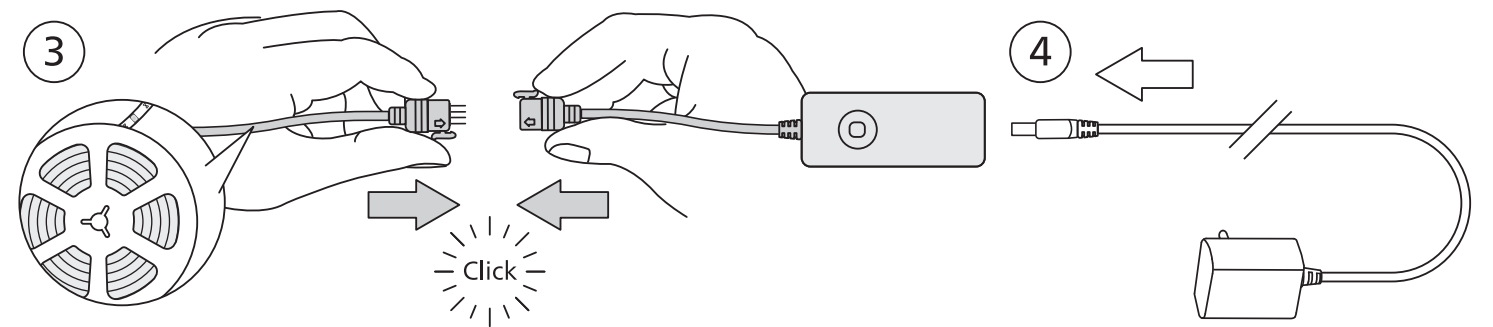
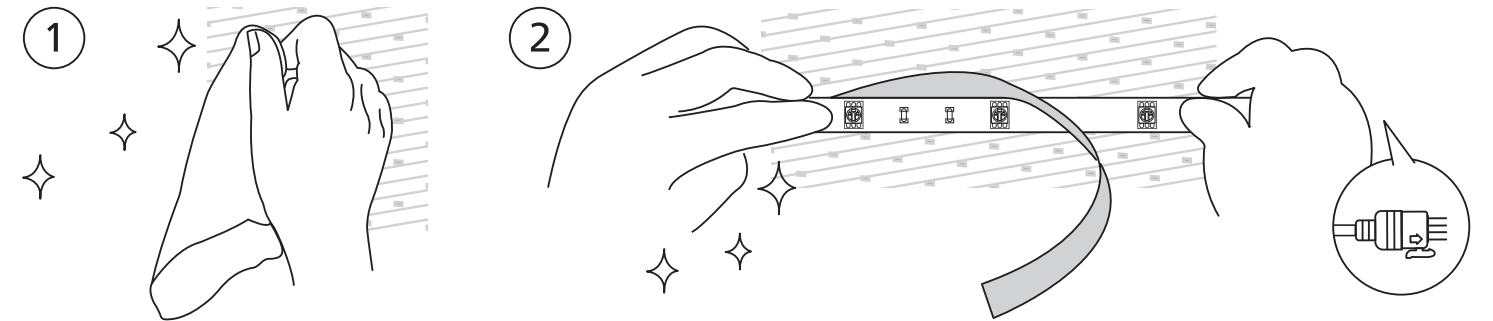
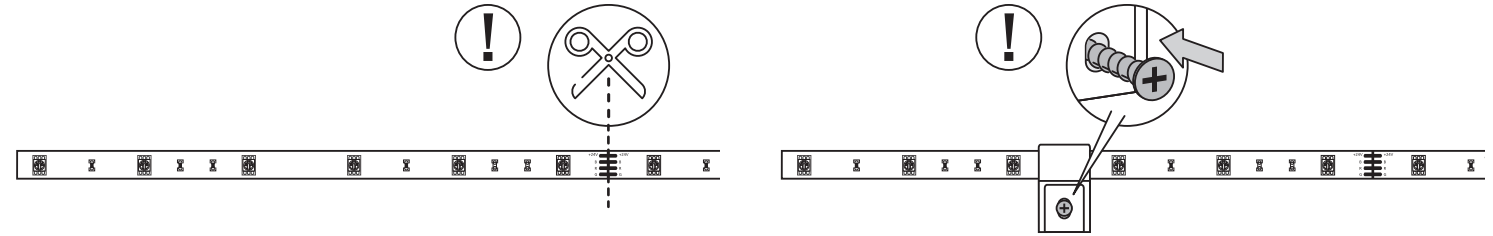
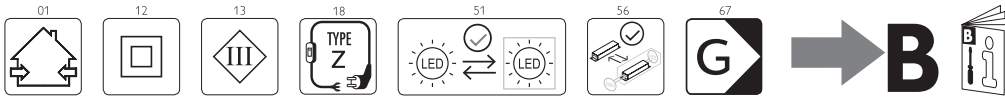
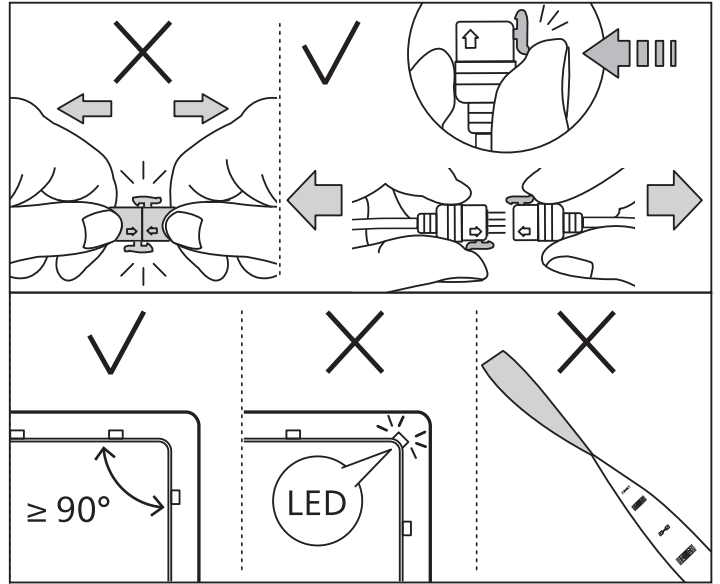
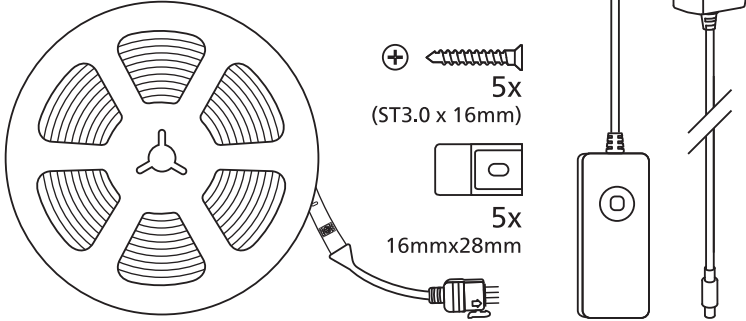


9290041399, 9290041401, 9290046217,
9290046218, 9290041257, 9290041264,
9290041397, 9290041398



PHILIPS

Connected by WiZ

Strip user manual



Philips and the Philips Shield Emblem are registered trademarks of Koninklijke Philips N.V. and are used under license

3241 661 55593

©2025 Signify Holding

 **signify**

WARNING: Luminaires shall be connected to the supply in compliance with the national standard of the country where the luminaires will be installed. Should you have any doubt, please seek advice from a professional electrician.

1. Product introduction

We hope that you enjoy LED strip, creating your light with a nice decoration and ambiance.

2. Safety instructions

Always respect electrical specifications described on product label. The product is not suitable for working condition below -10 degrees centigrade

The product is only suitable for indoor usage

Do not connect the LED strip to the supply while it is in the packing or wound onto a reel.

(a) Do not interconnect parts of this LED strip with parts of another manufacturers' strips

(b) Use only the LED driver provided with the LED strip kit.

(c) This LED strip is non-extendable.

Be cautious of static electricity during installation and usage.

To reduce the risk of strangulation the flexible wiring connected to this luminaires shall be effectively fixed to the wall if the wiring is within arm's reach

3. Warning before installation

Always disconnect from main supply before installation, connection and servicing.

Any installation, repair can only be carried out by the manufacturer, his service agent or similarly qualified person.

Be cautious of static electricity during installation and usage.

4. Installation steps

Please refer to installation manual for detail step.


Launch WiZ app to connect the product.

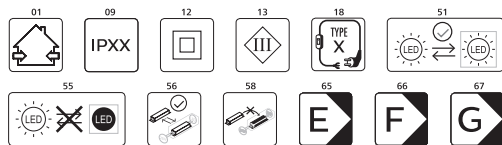
Controlling with the control box

Button	Function
Short press	Turn the light on/off
Long press when light on	Adjust brightness
Long press when light off	Pairing

5. Symbols explanation

Thank you for purchasing this Philips product, we highly appreciate your choice for the Philips brand and wish you lots of pleasure using your product. This manual B contains definitions of the potentially applicable parameters & specifications with icons, as per International norms and safety standards. However not all of them may be applicable for the product you purchased - please refer to the icons in the Manual A, for the ones which are particularly applicable for this product.

 Please inform yourself about the local waste disposal, separation and collection system for electrical and electronic products and packaging. Please act according to your local rules and do not dispose your old product and packaging with your normal household waste. The correct disposal of the packaging, your product and/or batteries will help prevent potential negative consequences for the environment and human health. Batteries should be disposed separately from the municipal waste stream via designated collection facilities. When disposing a product that contains non-user replaceable batteries, the non-user replaceable batteries shall be removed by a professional.



01) The product should only be installed indoors. 09) IPX1: The product is protected against dripping water, IPX3: The product may be exposed to raindrops (falling drops under a maximum angle of 60° to the vertical axis), IPX4: The product is splash-proof: it may be exposed to splashing water coming from any direction (360°). IPX5: The product is protected against water jets. IPX7: The product can be installed into the ground, IPX8: The product is protected against immersion up to the indicated depth. • IP5X: The product is dust protected. IP6X: The product is dust tight. 12) Protection class II: the product or component is provided with double or reinforced insulation. 13) Protection class III: the product or component is only suitable for safety extra low voltage supply (<50V_{a.c.}, <120V_{d.c.}). 18) In case of damage to the wire: • X-connection; Replace it by a wire of the same type, • Y-connection; Only to be replaced by the manufacturer, distributor or by an expert, to avoid risks, • Z-connection: The cord cannot be replaced, the luminaire shall be destroyed. 51) Replaceable (LED only) light source by an end-user. 55) Non-replaceable light source: The light source of this luminaire is not replaceable; when the light source reaches its end of life the whole luminaire shall be replaced. 56) Replaceable control gear by an end-user. 58) Non-replaceable control gear. 65) This product contains a light source of energy efficiency class E. 66) This product contains a light source of energy efficiency class F. 67) This product contains a light source of energy efficiency class G

6. Warranty

Warranty is subject to strict conditions of use, for more information, please visit our website: www.lighting.philips.com/consumer

Wireless specification:

Wireless RF mode frequency band: 2400 – 2483.5 MHz

Maximum transmitted power:

Wi-Fi: Max 20 dBm

Bluetooth: Max 10 dBm

Products shall not be used with dimmers, for dimming use the WiZ application.

On/off functionality available without Wi-Fi connectivity.

Hereby, Signify declares that the radio equipment type smart luminaires are in compliance with Directive 2014/53/EU (RED). The full text of the EU declaration of conformity is available at the following internet address: www.lighting.philips.com/consumer

Hereby, Signify declares that the radio equipment type smart luminaires are in compliance with the Radio Equipment Regulations 2017 (S.I. 2017/1206). The full text of the UK declaration of conformity is available at the following internet address: www.lighting.philips.com/consumer

Wi-Fi[®], the Wi-Fi logo, the Wi-Fi CERTIFIED logo are registered trademarks of Wi-Fi Alliance.

Wi-Fi CERTIFIED™, WPA2™, WPA3™ are trademarks of Wi-Fi Alliance.

The Bluetooth® word mark and logos are registered trademarks owned by Bluetooth SIG, Inc.

Amazon, Alexa and all related logos are trademarks of Amazon.com, Inc. or its affiliates.

Google, Google Play and the Google Play logo are the trademark of Google LLC.

The Apple logo and Siri are the registered trademark of Apple Inc.

Any use of such marks by Signify is under license. Other trademarks and trade names are those of their respective owners.

UK PSTI Statement of Compliance

a. WiZ / Philips product(s) contained in the box.

b. Manufacturer Name & Address:

Signify; I.B.R.S./C.C.R.I./Numéro 1046 I; 5600VB Eindhoven, the Netherlands

Authorized Representative Name & Address:

Signify Commercial UK Limited; Unit 2, Guildford Business Park, Guildford, Surrey, GU2 8XG, UK

c. This statement of compliance is issued under the sole responsibility of the manufacturer: Signify

d. The product(s) described above is(are) in conformity with the applicable security requirements in Schedule I of the Product Security and Telecommunications Infrastructure (Security Requirements for Relevant Connectable Products) Regulations 2023 (PSTI).

e. Defined support period: 5 years,

f. Signed for and on behalf of Signify:

Robert Sprott; Compliance Manager UK&I

g. Guildford UK; 29-Apr-2024