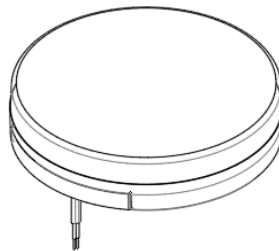


Dismantling Recommendation on Disposal at End of Life

A. Composition Explanation – Downlight Type B

Followed drawings are references only



• Main Parts

 <p>01 Diffusor*1</p>	 <p>02 Housing*1</p>	 <p>03 Install the bracket*1</p>	 <p>04 Light source*1</p>	 <p>05 plastic expansion bolt*4</p>
---------------------------------------------------------------------------------------------------------------	---------------------------------------------------------------------------------------------------------------	---------------------------------------------------------------------------------------------------------------------------	--------------------------------------------------------------------------------------------------------------------	--------------------------------------------------------------------------------------------------------------------------------

• Other Parts (If included)

<p>06 Screws (ST4*25) *4</p>	<p>07 Screws (ST3*4) *3 (D150) /4 (D200)</p>
-------------------------------------	-----------------------------------------------------

The downlight luminaire is considered as a containing product which comprises:

01 Diffusor

The diffusor may have different shapes, such as Round, Square, Rectangle, Dome etc. Taking the Round as Example; The diffusor may have different surface finishing with matte, glossy, plate, 0-100% transparent etc.

02 Housing

The housing may have different shape and structure, which are based on design itself

03 Install the bracket

The Install the bracket may have different shape and structure, which are based on design itself

04 Light source

The light source is including L2 PCB with LEDs and DC wires

05 plastic expansion bolt

The plastic expansion bolt may have different shape and structure, which are based on design itself

B. Dismantling

- Type: Light source is non-replaceable

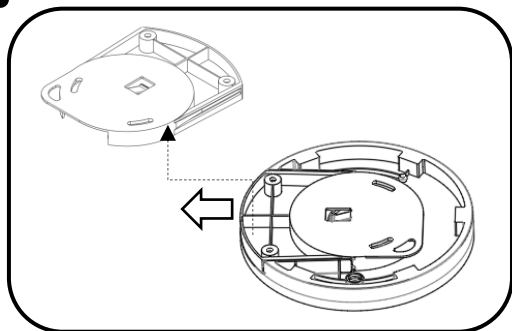
Dismantling Recommendation on Disposal at End of Life

C. Recommendation on Disposal

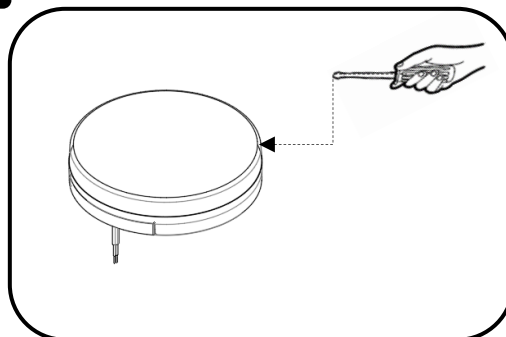
- Plastic part: Reuse and Recycling
- Electrical part: Incineration and disposal
- Metal part: Recycling

D. The Steps to Remove the Components

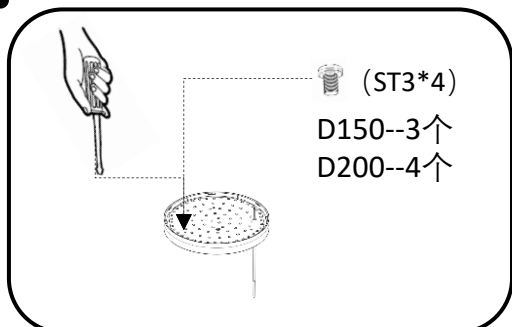
1 Remove the mounting bracket



2 Using tool to pry the cover



3 Removing the casing



4 Removing the casing

