

PHILIPS



Paisley

9150055291

9150055295

9150055299

9150055303

9150055290

9150055294

9150055298

9150055302



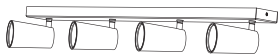
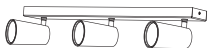
User manual
Benutzerhandbuch
Notice d'emploi
Manual de usuario
Manual do usuário
Manuale d'uso
Gebruiksaanwijzing

Incl.

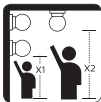
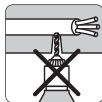
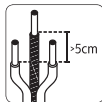
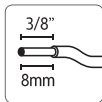
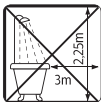
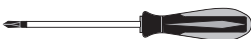
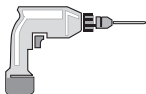
A

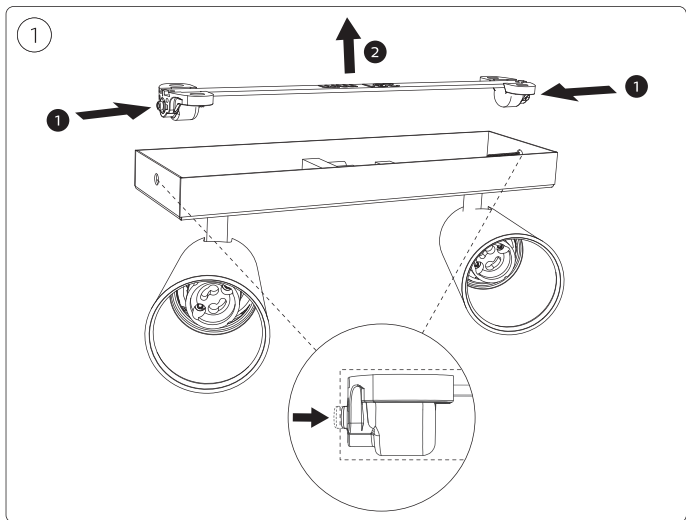
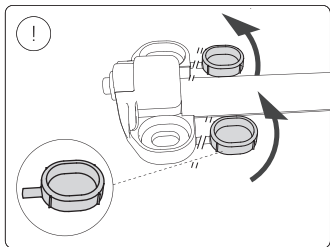
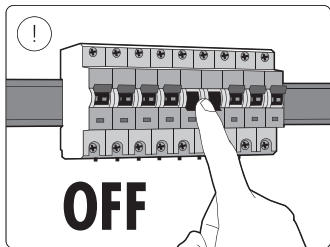


B

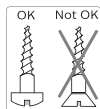
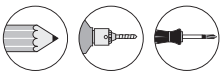
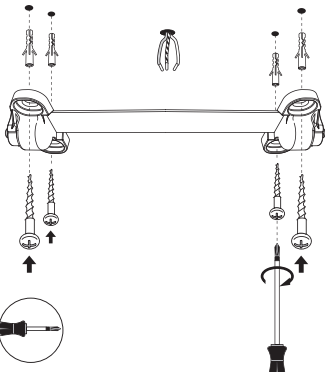


Excl.

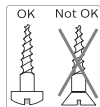
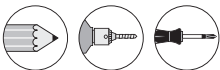
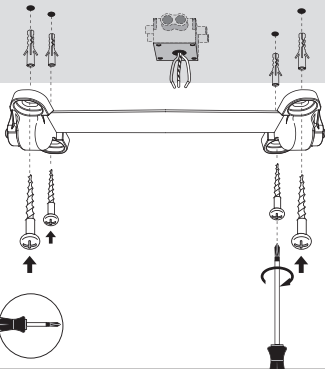




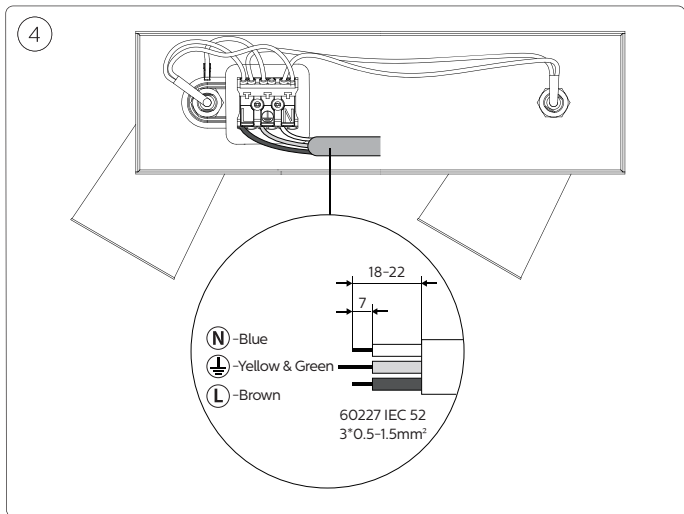
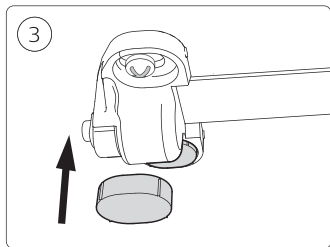
2a



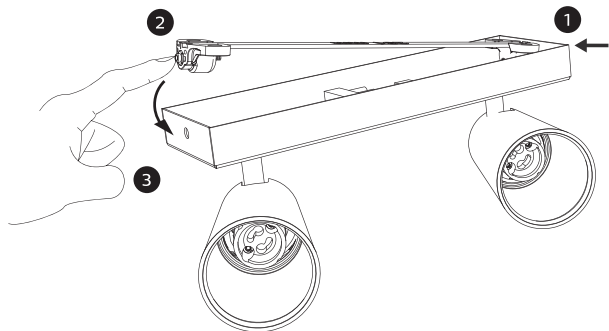
2b



NL



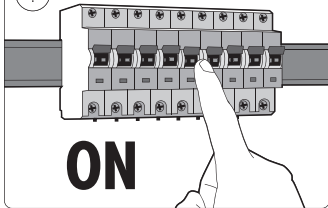
5

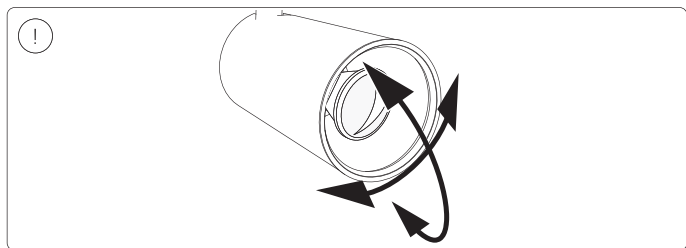
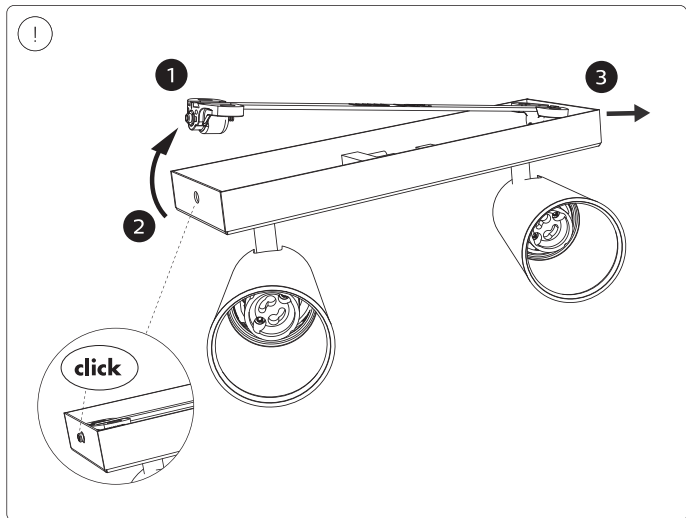


6



!







Signify Commercial UK Limited
2 Guildford Business Park,
GU2 8XG

Signify
I.B.R.S. / C.C.R.I. Numéro 10461
5600 VB Eindhoven,
the Netherlands
☎00800-74454775

© 2025 Signify Holding



Philips and the Philips Shield Emblem
are registered trademarks of Koninklijke
Philips N.V. and are used under license

www.philips.com/lighting

4404 029 07905