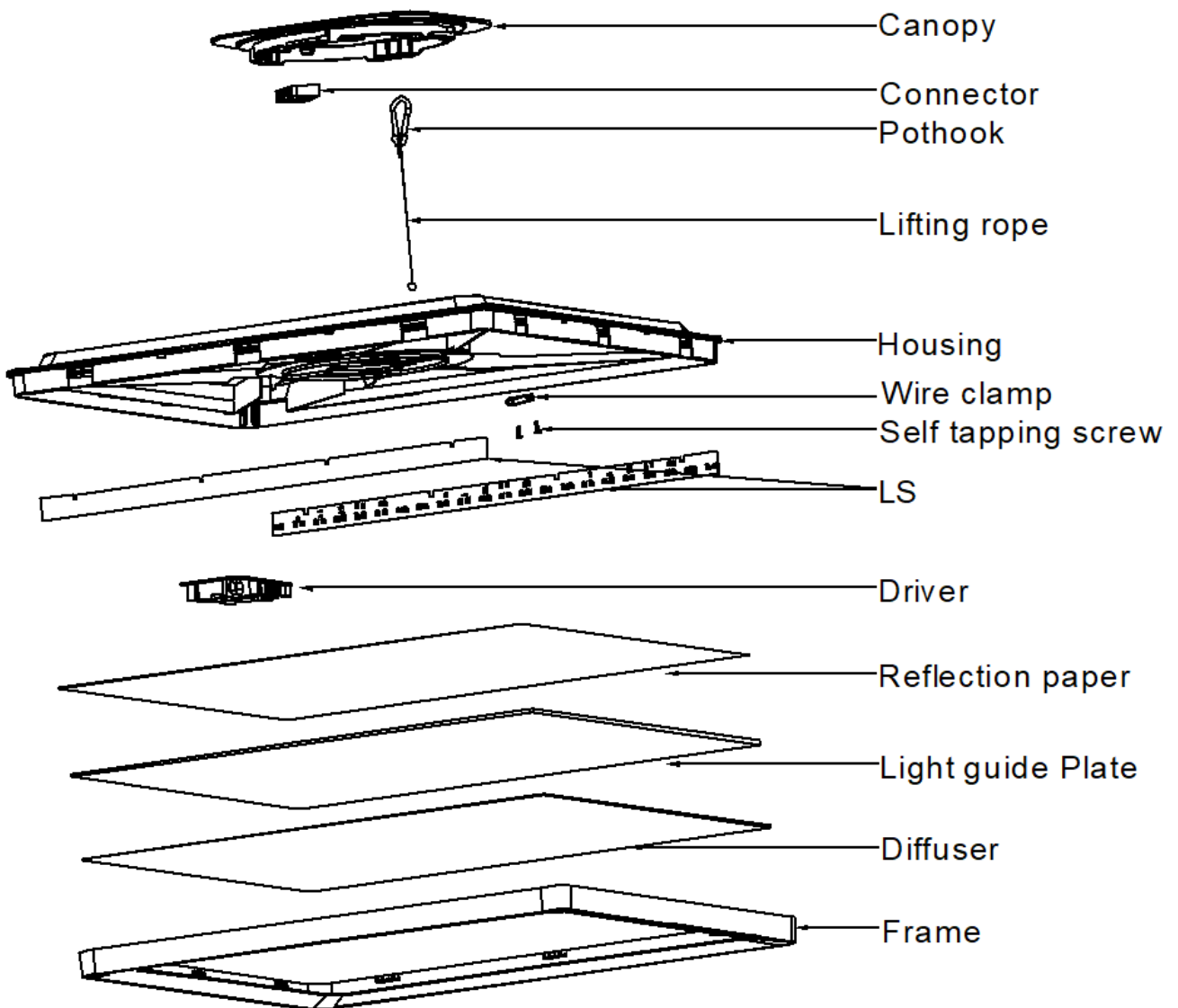


Removability Introduction on Disposal at End of Life



Composition Explanation –Wiz Square Panel Ceiling





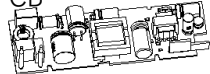



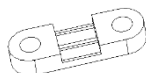
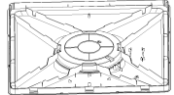
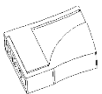
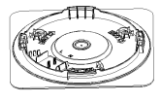


Annotation: The two roots of L2 together are defined as Light Source (LS)

Removability Introduction on Disposal at End of Life



Composition Explanation – Wiz Square Panel Ceiling

Plastic part	Electrical part	Metal part
Frame 	LS (Level 2) 	Pothook 
Diffuser 	Driver PCB 	Lifting rope 
Light guide Plate 		
Reflection paper 		
Pressure line code 		
Housing 		
Connector 		
Canopy 		

Dismantling

- Steps: refer to disassembly instruction
- Type: without permanent damage

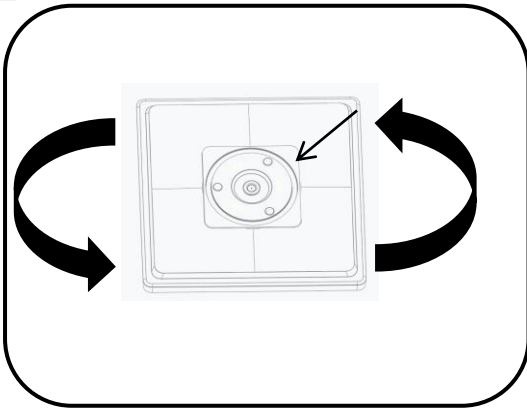
Recommendation on disposal

- Plastic part :reuse and recycling
- Electrical part :incineration and disposal
- Metal part :recycling
- Battery part: recycling

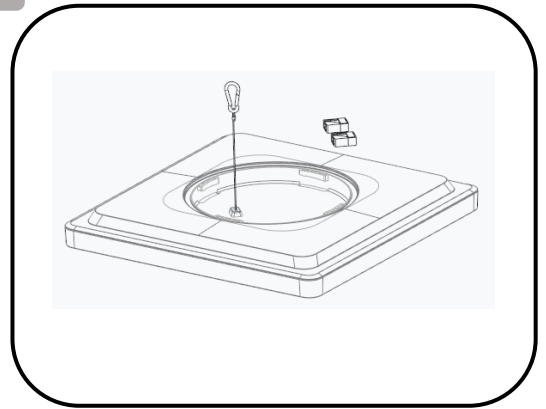
Removability Introduction on Disposal at End of Life

Disassembly Steps – Wiz Square Panel Ceiling

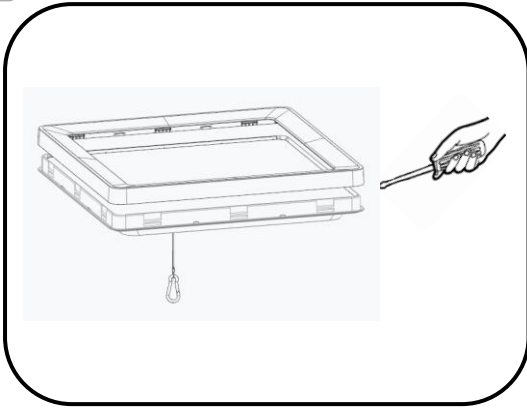
1



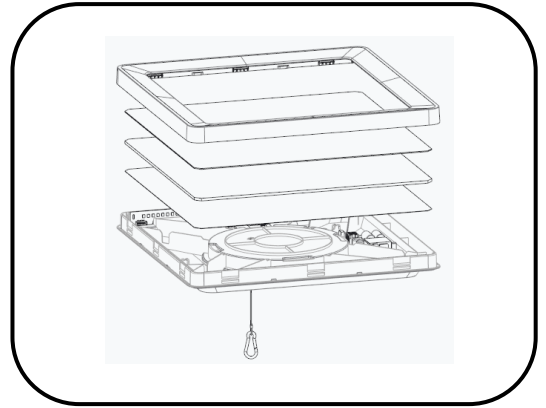
2



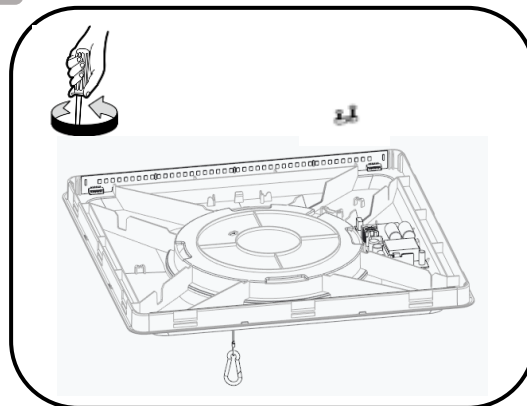
3



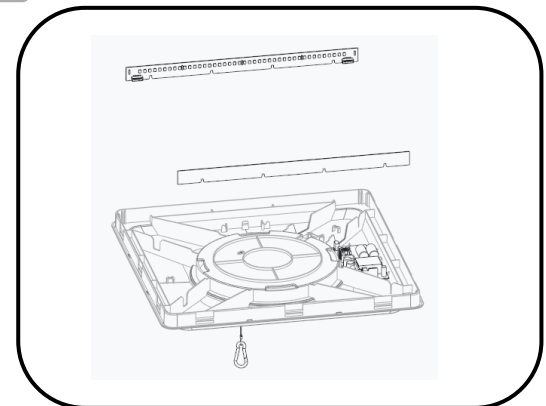
4



5



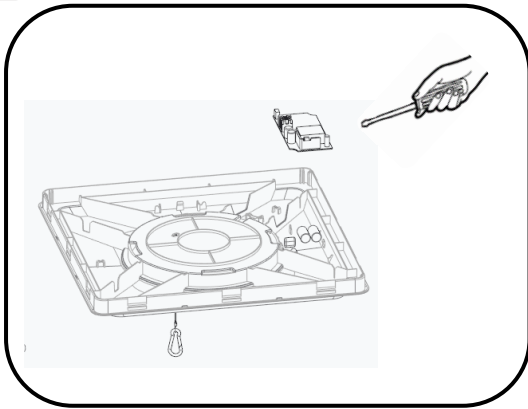
6



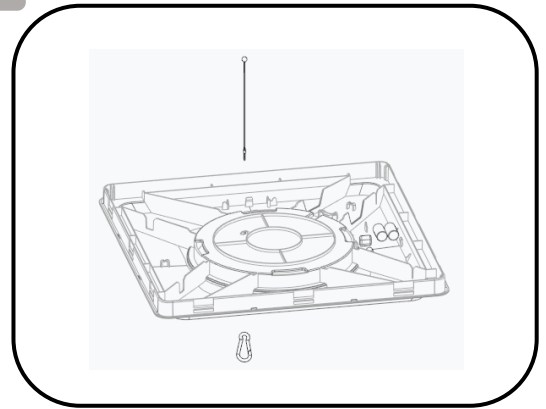
Removability Introduction on Disposal at End of Life

Disassembly Steps – Wiz Square Panel Ceiling

7



8



Removability Introduction on Disposal at End of Life

Additional Configuration – Wiz Square Panel Ceiling

Electrical connection of driver 12W

1



Electrical connection of driver 17W

1

