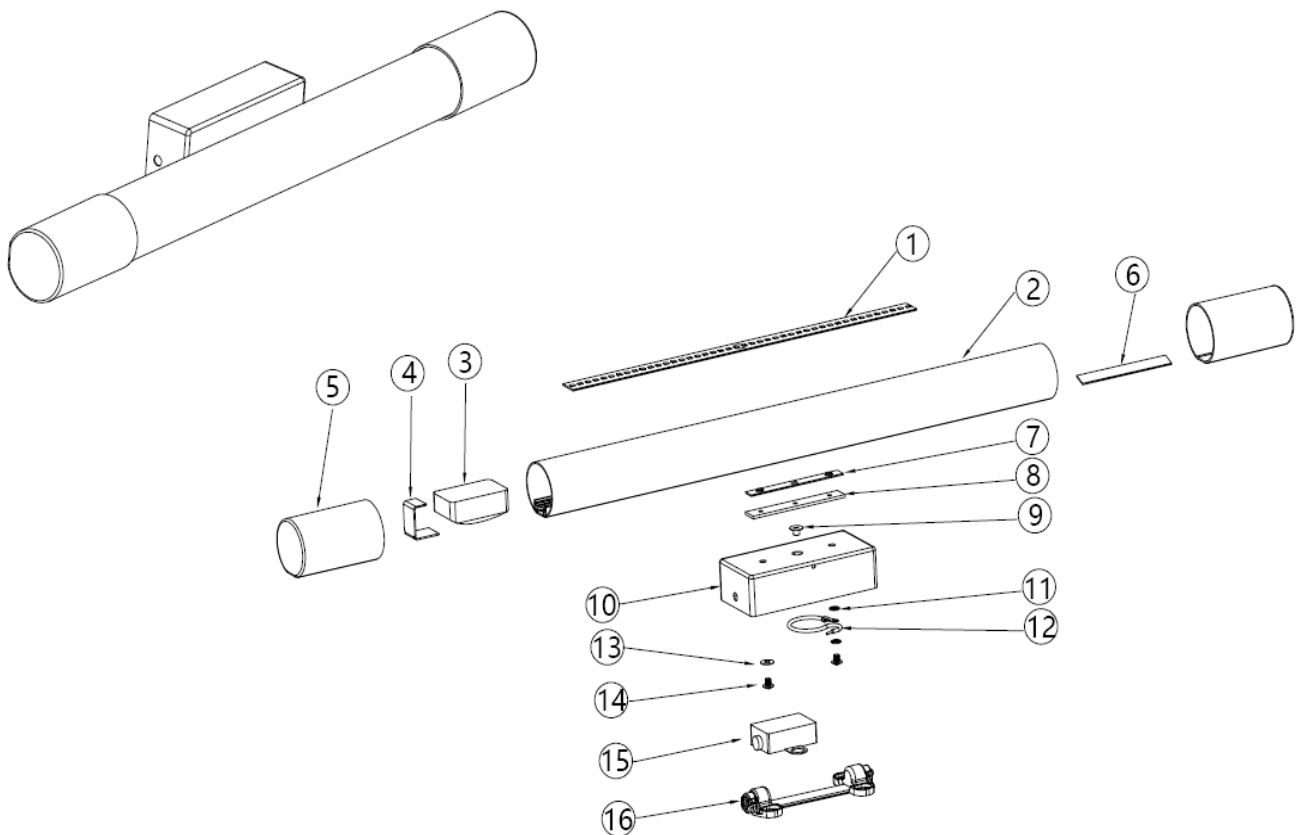


## Dismantling Recommendation on Disposal at End of Life

### Composition Explanation



12NC: 929004105501/929004105601/929004109501/929004109701

# Dismantling Recommendation on Disposal at End of Life

## Composition Explanation

No.	Components	Specifications	Unit	Quantity
1	DLB-0315-NEWLED Light board	Aluminum PCB +LED	PCS	1
2	SA-0654-G/PC circle tube	PC	PCS	1
3	Eyarn PSU	Power Supply Unit	PCS	1
4	XZJ-0826 Iron support	Iron	PCS	1
5	XGF-0060-A end cap	PC	PCS	2
6	SB-1063 Locating plate	PC	PCS	1
7	WMB-1313/Connecting plate	Iron	PCS	1
8	SB-0448 Silicone pad	Silicone Rockwell hardness40 degree,	PCS	1
9	SA-1450 Silicone pad	Silicone	PCS	1
10	WDJ-1435 base	Iron	PCS	1
11	φ4 Elastic washer	Iron	PCS	2
12	H05S-K Ground wire	PVC+Copper wire	PCS	1
13	Silicone ring/White color	Silicone	PCS	1
14	M4Screw with tooth belt	Iron	PCS	2
15	OJ-3518 Waterproof junction box	PA	PCS	1
16	click fixture	PA6+30%GF	PCS	1

12NC: 929004105501/929004105601/929004109501/929004109701

# Dismantling Recommendation on Disposal at End of Life

## Dismantling

- Type: light source non replaceable

## Recommendation on Disposal

- Plastic part: Reuse and Recycling
- Electrical part: Incineration and disposal
- Metal part: Recycling

## Light source dismantling process

